

2019 Q3

PRO & VALUE SERIES QUICK GUIDE

TWO SERIES FOR MAXIMUM FLEXIBILITY

At Hikvision we want to provide the most flexible range of products to fit any solution. Our IP camera, Turbo HD cameras, NVRs and DVRs are offered in two series – Value and Professional.

Value

The Value series is designed to be a cost-effective range, providing easy installation and reliable technology that gets the job done. These are the 'workhorses' of surveillance, delivering core benefits, like clear images, H.264/H.265 compression, IP66 or IP67 protection.

Pro

The Pro series offers more features, when a higher level of features is needed, making the solution more powerful. Among other things, these products add a number of extra features to the core product:

For cameras:

Low-light technology gives cameras the ability to see through the darkness, delivering bright images even in environments from 0.05 to 0.001 lux. All products in this series also include WDR, which helps them to handle very bright environments.

Higher resolution makes images sharper and monitoring easier.

For Recorders:

Larger housings give room for more functions, like alarm and audio monitoring. These products also include HD slots, to provide more storage space.

Higher level decoding functionality means customers can view more channels at the same time, and can record feeds from higher resolution cameras.

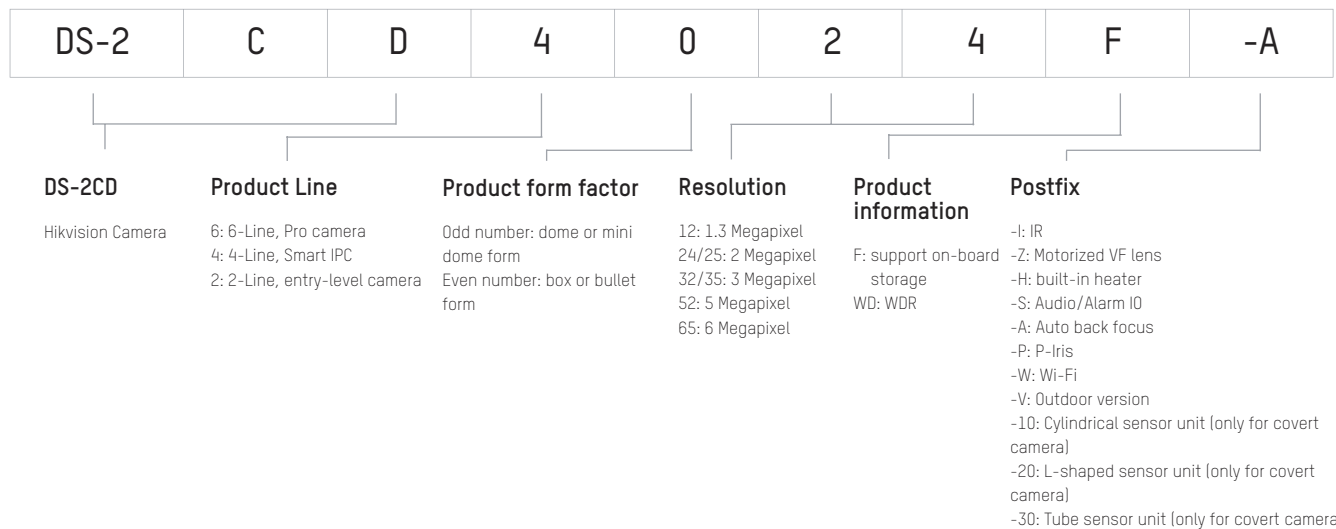
IP CAMERAS

Hikvision has a wide range of IP cameras that bring intelligence, efficiency and varied specifications to a wide range of vertical applications.

Cutting-edge features, like excellent night performance and Hikvision's unique H.265+ compression codec provide outstanding image quality, even in challenging lighting environments. Camera form factors vary from box cameras, indoor and outdoor domes and bullets.

The range also includes cameras with innovative technologies – like ColorVu for colourful images 24/7; and smart AcuSense technology to dramatically reduce false alarms.

NAME CODING RULE



TURBO HD CAMERAS

Our Turbo HD products are based on HDTVI technology, an open standard enabling different products and technologies to be integrated into a single system. The products also offer many of the cutting-edge technologies on IP cameras - like Ultra-low light technology and vandal-proof capabilities.

NAME CODING RULE

DS-2	C	E	1	6	D	8	T	-IT3
Hikvision front-end product	Color camera	C: H series for project E: E series for distribution S: S series for special application	1: bullet 3: box 5: dome 7: turret	Different number means different structure	C: 720P D: 1080P F: 3Mega H: 5Mega U: 8Mega	0,1,2,3: economic rank 5,7,8,9: high-performance rank F: full-time color (common) L, C: reserved character	P: PAL N: NTSC T: HDTVI	annotation: VP: vandal-proof VF: vari focal IR: conventional infrared 10-20m IR3: conventional infrared 30-40m I: enhanced conventional infrared 20m I3: enhanced conventional infrared 30m IT/IT1: EXIR 2.0 20/30m IT2: EXIR 2.0 20-40m IT3: EXIR 2.0 30-60m IT5: EXIR 2.0 60-80m WL3: white light 20-30m WL5: white light 50-80m A: AC24V and DC12V F: 4 in 1 E: PoC M: metal P: plastic Z: motorized lens H: heater

IP PTZ CAMERAS

Hikvision PTZ Cameras provide a wide array of benefits giving customers maximum tracking and more detail. Features like autotracking, up to 50x optical zoom, an IR range of up to 200 metres, make this series a valuable addition to any solution.

NAME CODING RULE

DS-2	D	F	8	2	30	(T)	(N)	(I)	(H)	-A	(3)	(C)	(L)	(V)	(/3G)
DS-: General Products iDS-: Intelligent products	A: analog/digital D: network	F: F series E: E series	2: 2.5 inch 4: 4 inch 5: 5 inch 6: 6 inch 7: 7 inch 8: 8 inch XA: X inch enhanced	0: 700TVL or WD1 1: 1.3MP 2: 2MP 3: 3MP 4: 4MP 5: 5MP 6: 6MP 8: 8MP	03: 3x optical 04: 4x optical 12: 12x optical 18: 18x optical 20: 20x optical 23: 23x optical 25: 25x optical 30: 30x optical 32: 32x optical 36: 36x optical 50: 50x optical	local video output Default: BNC output or none T: HD TVI S: HD-SDI	Video standard Default: PAL or High definition N: NTSC	IR light Default: without IR I: with IR light 3: 300m laser IR 5: 500m laser IR	X: H3 series H: H1 series (Darkfighter X) V: R4 series W: R7 Series	Power supply A: AC24V D: DC12V E: PoE/ PoE+/Hi-POE	Installation type Default: outdoor mounting 3: indoor mounting (both ceiling or in-celing) 4: support multiple installation types	Interface Default: RJ45 network interface or BNC standard definition interface C: Coaxial transmission F: fiber interface P: EPON interface S: SDI interface	Extra function Default: normal L: start in low temperature W: Wiper	Protection Default: normal V: Vandal-proof X: Anti-explosion Y: Anti-corrosion	Other /WIFI /3G /4G

TURBO HD PTZ CAMERAS

PTZ cameras deliver an incredible image in all sorts of environment where following a target or more detail is needed. They are designed for installations that do not require the 360° high speed positioning of traditional PTZ cameras but that do need occasional pan/tilt/zoom capabilities, including presets, patrols and patterns. The series boasts IP66 and IK10 ratings, allowing the cameras to be mounted in both in- and outdoor installations.

NAME CODING RULE

DS-2	D	F	8	2	30	(T)	(N)	(I)	(H)	-A	(3)	(C)	(L)	(V)	(/3G)
DS-: General Products iDS-: Intelligent products	A: analog/digital D: network	F: F series E: E series	2: 2.5 inch 4: 4 inch 5: 5 inch 6: 6 inch 7: 7 inch 8: 8 inch XA: X inch enhanced	0: 700TVL or WD1 1: 1.3MP 2: 2MP 3: 3MP 4: 4MP 5: 5MP 6: 6MP 8: 8MP	03: 3x optical 04: 4x optical 12: 12x optical 18: 18x optical 20: 20x optical 23: 23x optical 25: 25x optical 30: 30x optical 32: 32x optical 36: 36x optical 50: 50x optical	local video output Default: BNC output or none T: HD TVI S: HD-SDI	Video standard Default: PAL or High definition N: NTSC	IR light Default: without IR I: with IR light 3: 300m laser IR 5: 500m laser IR	X: H3 series H: H1 series (Darkfighter X) V: R4 series W: R7 Series	Power supply A: AC24V D: DC12V E: PoE/ PoE+/Hi-POE	Installation type Default: outdoor mounting 3: indoor mounting (both ceiling or in-celing) 4: support multiple installation types	Interface Default: RJ45 network interface or BNC standard definition interface C: Coaxial transmission F: fiber interface P: EPON interface S: SDI interface	Extra function Default: normal L: start in low temperature W: Wiper	Protection Default: normal V: Vandal-proof X: Anti-explosion Y: Anti-corrosion	Other /WIFI /3G /4G

THERMAL CAMERAS

Integrating technology from Hikvision's image processing and intelligent applications, our thermal products meet the rigorous demands of sophisticated security. These cameras provide superb solutions for fire protection and perimeter defence by combining the advantages thermal imaging and visible image processing.

NAME CODING RULE

DS-2	TD	XY	3	5	X	-	15	X	X2Y	X
Hikvision front-end product	Thermal Camera	X: Appearance Y: Classification 1: Turret Camera 11: Thermal-Only Turret Camera 12: Bi-spectrum Turret Camera 2: Bullet Camera 20: Box Camera 21: Thermal-Only Bullet Camera 23: Thermal-Only Long Range Bullet Camera 24: Thermal-Only Special Bullet Camera 26: Bi-spectrum Bullet Camera 28: Thermal& Optical Long Range Bullet Camera 4: Speed Dome 41: 8-inches Speed Dome 42: 5-inches Speed Dome 6: Positioning system 61: the first generation 62: the second generation 8: Stable PTZ Camera 81: the first generation	1: 160 × 120 (the resolution of output image is 320 × 240) 3: 384 × 288 6: 640 × 512	5: Vanadium Oxide Uncooled Focal Plane Detectors 25μm 6: Vanadium Oxide Uncooled Focal Plane Detectors 17μm 7: Hikmicro Vanadium Oxide Uncooled Focal Plane Detectors 17μm	D: Dual Channels T: Accurate Temperature Measurement F: Fiber	-	2: 2mm 3: 3mm 6: 6mm 7: 7mm 10: 10mm 15: 15mm 25: 25mm 35: 35mm 50: 50mm 75: 75mm 100: 100mm 150: 150mm 180: 180mm	Z: Zoom	X: Optical Lens C: 6.7-330mm, 49x E: 12.5-775mm, 62x H: 5.7-205.2mmmm, 36x 2: 2MP Y: Function L: Laser light(Stable PTZ only) L: IR light F: Optical Fog Reduction	V1: Deep learning Hardware(Bullet & Indoor Turret) V2: Deep learning Hardware(Speed Dome & PTZ) VP: HEOP Bullet

NETWORK VIDEO RECORDERS (NVRs)

Hikvision offers a wide range of NVRs, from the 4-channel to 32-channel, 1HDD to 4HDD, 4MP to 12MP in professional series. They offer IP camera monitoring, recording and playback, whatever the requirement.

NAME CODING RULE

(i)DS-	77	16	N	I	-I	2	/8P	/4S	(B)
DS-: General Products iDS-: Intelligent products	71: Value Level 76: Pro Series 77: Pro Series 96: Pro/Ultra Series	IP Channel Number 4/ 8/ 16/ 32/ 64/ 128/ 256 IP Channels	NVR Product Series N: NVR NX: NVR with Deep Learning technology	I stands for international	Product Platform	HDD Slot(s) 1: support 1 HDD 2: support 2 HDDs 4: support 4 HDDs 8: support 8 HDDs 16: support 16 HDDs 24: support 24 HDDs	Extended function and features /16P: With 16 PoE interfaces /H: With decode board /W: with WiFi module /4G: with 4G module	Intelligent Functions /4S: up to 4 channels for human detection /4F: up to 4 channels for facial recognition /4B: up to 4 channels for behavior analysis	Hardware revision (B): the second hardware revision..... X: the Xth hardware revision

DIGITAL VIDEO RECORDERS (DVRs)

Because Hikvision realises that not all solutions are based on IP technology, we evolve existing technologies to provide the widest range of products to for all applications. This can be seen in the state-of-the-art DVR products, which offer the best of both worlds.

NAME CODING RULE

DS-	72	08	HUH	I	-F	2	/N
DS-: General Products iDS-: Intelligent products	Product Series DVR: 71/ 72/ 73/ 76/ 81/ 90 Encoder: 60/ 61/ 65/ 66/ 67	Analog Channel No. Range from 01 to 32.	Stands for the encoding resolution of DVR HC: CIF HD/HE: 2CIF HF: 4CIF HW: WD1 HFH: HD-SDI HGH: 720p/ 1080p lite HQH: 1080P/ 4 MP lite HUH: 3 MP/5 MP / 8 MP HTH:8MP	I stands for international	Stands for the product generation no. New generation: -K Old generation: -S, -ST, -SH, -E, -F	Supported hard drive no. Range from 1 to 16	Extended function and features /P: PoC built-in models /xN: non-realtime /xS: smart analysis channel

A decorative graphic in the top-left corner consisting of several overlapping, semi-transparent triangles in shades of gray, creating a complex, star-like shape.

ACCESS CONTROL

Complete, end-to-end solutions – from cameras to access controllers, from alarm relays to IP architecture, from door locks to DVRs, and more – have been meticulously engineered by the world’s largest R&D Development team in the security industry. Hikvision’s development facilities lead the industry in advancing the technology of every essential piece in an Access Control system.

A decorative graphic in the top-left corner consisting of several overlapping, semi-transparent triangles in shades of gray, creating a complex, star-like or crystalline shape.

INTERCOM

Hikvision's Visual Intercom System enhances that human element to an electronic mode of communication – by allowing callers to see each other. This Visual Intercom extends surveillance capabilities, adding a level of safety to a user's home. It creates a hub for emergency responses. It adds an access control dimension to reinforce a sense of safety in the home or workplace. And echo-cancellation technology ensures high quality voice transmission, providing an exceptional user experience. All this and more can be easily managed with a mobile app.



ALARM

Combining Hikvision's market-leading position and world class capabilities with over 30 years of Pyronix intrusion expertise, our range of alarm solutions provide professional installers with innovative and reliable security systems for every requirement.

We fuse intrusion and video, offering Cloud-based intruder alarm systems with cutting-edge technology to redefine security. These platforms generate extensive business opportunities for installers, whilst providing user experiences which are unparalleled.



DISPLAYS

Hikvision also offers a selection of monitors to complement your security solution. Whatever size you need - from 19" to 84", our LED displays give you eyes on your scenario.

SWITCHES

Hikvision also offers a range of professional switches to maximise the effect of your solution by extending your reach and increasing your data capacity.

DE-ENCODERS

There are a number of Decoder and Encoder products to choose from to complement your solution.

KEYBOARD & ACCESSORIES

To further enhance any surveillance system, Hikvision provides a comprehensive set of keyboards & accessories; video balun, coaxial transmission, PoE video repeaters, microphone, HDD and brackets.

HIKVISION UNAUTHORIZED DISTRIBUTORS POLICY

Hikvision Europe sells products only through authorized distributors. We value our industry partners and are proud of the relationships we have developed to help expand the use of our innovative technology products and solutions. These authorized distributors have committed to serve as a link in the Hikvision Europe value chain by providing excellent pre- and post-sale customer service, including full firmware and sales engineering support.

Not every distributor advertising Hikvision products has been authorized by Hikvision Europe to advertise or sell those products. We warn potential customers against purchasing these "gray market" products from unauthorized distributors. Unauthorized distributors may be selling counterfeit, used, or damaged product. Much of the products sold by unauthorized distributors have been altered with modified firmware. Since this means that it is no longer in original factory condition, Hikvision warranty is void, per company policy.

We warn potential customers against purchasing from unauthorized distributors. Purchasing through authorized Hikvision Europe distributors ensures that you receive the benefits of technical support, project registration, dealer loyalty programs and advance replacement of any camera, recorder, monitor, video server, or software, in addition to Hikvision Europe full warranty. Additionally, products purchased through authorized distribution partners have additional features and capabilities that distinguish the Europe offering.

If you have any questions or concerns about the official status of your Hikvision distributor before your purchase, please contact Hikvision Europe Customer Service at support.eu@hikvision.com to confirm their authorized status.

Thank you for your continued support of our industry-leading video surveillance products.

ABOUT HIKVISION

It started with cutting-edge technology: high-definition IP cameras, digital video servers, hybrid and standalone DVRs, NVRs, speed domes, encoders and decoders. And momentum continues to develop new technologies for a safer future.

Strengthened by one of the largest R&D teams in the video surveillance industry, the innovation behind these products quickly made Hikvision the #1 CCTV and video surveillance equipment provider in the world (2017 IHS Report). A total solution provider, Hikvision manufactures a full suite of video surveillance products and solutions for a broad range of vertical markets, including retail, education, and many others. Whatever the scope or requirements of the application, Hikvision has a user-friendly, highly scalable product to meet those needs.



DEALER PARTNER PROGRAM CAPITALISING PROJECT OPPORTUNITIES



* For further informations, please contact your distributor

CONTENTS

01 IP CAMERAS	24 - 43	06 COMMERCIAL VISION	76	11 TERMINALS	98 - 113
Pro Series	25 - 39			PRO	98 - 107
Value Series	40 - 43			ENTRY	108 - 113
02 TURBO HD CAMERAS	44 - 60	07 THERMOGRAPHY	77	12 READERS & KEYPADS	114 - 117
Pro Series	47 - 55			PRO	114
Value Series	56 - 60	08 NETWORK VIDEO RECORDERS	78 - 83	ENTRY/PRO	115 - 117
03 IP PTZ CAMERAS	61 - 65	Pro Series	79 - 81	13 EXIT BUTTONS & ANCILLARIES	118 - 119
Pro Series	62 - 63	Value Series	82 - 83	PRO	118
Value Series	64 - 65	09 DVRS	84 - 92	ECO	119
04 TURBO HD PTZ CAMERAS	66 - 68	Pro Series	86 - 91	14 2-WIRE DIGITAL INTERCOM	120 - 122
		Value Series	92		
05 THERMAL SECURITY	69 - 75	10 CONTROLLER	93 - 97		
Thermal turret camera	69	PRO	94 - 95		
Single Bullet Camera	70 - 74	ENTRY	96 - 97		
Bi-Spectrum Bullet Camera	75				

15 4-WIRE ANALOG SYSTEM	123	20 PSU AND DISTRIBUTORS	146	27 DISPLAYS	151 - 154
				LED LCD Monitor	151 - 153
				4K MONITOR	154
16 VIDEO INTERCOM KIT	124 - 125	21 ALARM KIT	147 - 148	28 SWITCHES	155 - 156
PRO	124			Unmanaged PoE Switch	155
ECO	125	22 HIKVISION WIRELESS PIR DETECTOR	149	Web-managed PoE Switch	155
				Gigabit POE switch	156
				Industrial POE switch	156
				wifi bridge	156
17 IP DOOR STATIONS	126 - 137	23 HIKVISION WIRELESS DUAL-TECH DETECTOR	149	29 ACCESSORIES	157 - 162
ECO	128 - 130			Transmission accessory	157
PRO	131 - 132	24 ALARM EXPANDERS&RECEIVER	149 - 150	Network Cable	157
2nd Generation IP Video Intercom	133 - 137			Intelligent Storage	157
				PoE Video Repeater	157
				Microphone	157
18 IP INDOOR STATIONS	138 - 142	Output Expander	149	Bracket	158 - 162
PRO	138 - 139	Input Expander	150	PoE injector	162
ECO	140			PSU	162
IP Indoor Station	141 - 142	25 ALARM KEYPAD&KEYFOB&SIREN&TAG	150	30 BRACKET	163 - 198
19 BRACKET AND GANGBOX	143 - 145	26 WIRELESS MAGNETIC CONTACT	150		
ECO	143				
PRO	144				
Modular Door Station Frame	145				



TECHNOLOGY PARTNER PROGRAM FOR TECHNOLOGY INTEGRATION PARTNERS- BUILD SMART SOLUTIONS WITH HIKVISION

BUSINESS DEVELOPMENT SUPPORT
JOINT EVENT, MARKETING AND COMMUNICATION ACTIVITIES
CONNECTION OPPORTUNITIES AMONG HIKVISION NETWORK
HIKVISION SOLUTION WEBSITE LISTING & RECOMMENDATIONS



BUILDINGS



SAFE CITIES



TRAFFIC



RETAIL



PERIMETER



POLICE
ENFORCEMENT

<https://partner.hikvision.com/tpp>



GREATER PARTNERSHIPS

Hikvision is pleased to introduce an exclusive, invitation-only Partner Program. We are committed to investing in our installer partners with a focus on capitalisation of project opportunities. Partner with Hikvision and leverage our unique market position as the leading video product manufacturer in the world, while gaining the benefits of an invitation-only program.

From inside sales to engineering support, from customer service to technical support, Hikvision goes the extra mile to provide customers with all of the elements they need for a first-class security system. Hikvision's Dealer Partner Program provides additional resources for dealers to help promote business success through knowledge and valuable tools. Hikvision is committed to protecting and creating business value for its customers.

To learn more about the program, please contact us at partners.eu@hikvision.com

VERTICAL MARKET FOCUS

For a complete overview of all verticals, please visit www.hikvision.com

TRANSPORTATION

Hikvision offers a wide assortment of solutions to meet the needs of transport hubs, roads, highways, and more. Effects of exhaust, sand, winter salt, snow, sleet and high winds are not an issue for Hikvision cameras, which are highly rated and made to resist severe outdoor conditions.

HEALTHCARE

Patient monitoring, emergency rooms, pharmacies, speciality departments, and restricted areas are all critical zones that require reliable security equipment. Just as we all depend on our physician to keep us well, we can depend on Hikvision's solutions to ensure the security of healthcare facilities.

EDUCATION

Protection of loved ones is one of Hikvision's highest priorities. Budget-minded school districts find Hikvision's product selection unmatched in the industry. High resolution cameras offer excellent image quality for a market-leading price. Image enhancements, such as wide dynamic range and high definition video, make our products well suited to capture remarkable detail in exterior and interior settings.



RETAIL

Shop and restaurant owners have peace of mind when using Hikvision's high performing products, which are aesthetically pleasing to boot. In each camera category are compact bullet, turret, dome and covert varieties, which provide discreet surveillance in attractive packaging. POS integration, heat mapping, and special counting cameras provide significant business management information. Data collected can then be managed through Hikvision's smart recording equipment.

GOVERNMENT

With strained budgets and changing priorities, safety remains an important issue for government facilities. Significant upgrades to existing analogue infrastructures are possible using our TurboHD™ line of HD-TVI solutions, which deliver HD analogue video without the high costs of networked systems.

SAFE CITIES

Hikvision is dedicated to helping solve public safety issues by providing surveillance systems that address emergency response, disaster management, and overall public safety. A key responsibility of any city is to ensure the safety of its citizens.



CRITICAL INFRASTRUCTURE

Hikvision's Smart Series and Speciality cameras offer performance and features that are ideal for critical security installations. Resolutions of 12 MP, 8 MP (4K), 6 MP and more deliver detailed video images. Darkfighter and Lightfighter solutions provide clear images in any lighting condition. Stainless-steel, high impact and weather-rated cameras withstand harsh environments. Built-in smart analytics provide pre- and post-event details. Data recording and storage products keep records safe and ready for forensic research. Every critical infrastructure setting has its own set of needs, and with Hikvision products, and these needs are all met.

The image shows a building facade at night with the 'ColorVu' logo illuminated in various colors (yellow, blue, orange, red). The logo is large and three-dimensional, appearing to be mounted on the building. Below the logo, the text 'Colorful Imaging 24/7' is visible in white.

ColorVu

Colorful Imaging
24/7

VIEW IN COLOR, EVEN IN DARKNESS

Enjoy vivid color images round-the-clock with ColorVu technology

Advanced Lenses

F1.0 Super-aperture collects more light to produce brighter images

High Performance Sensors

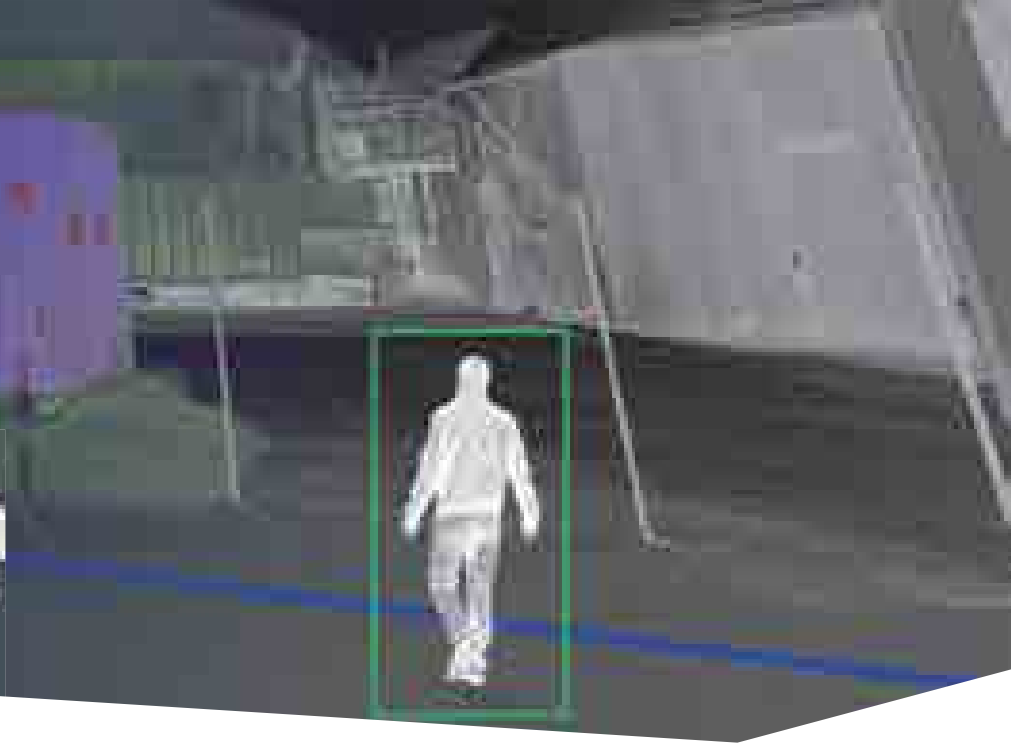
Advanced sensor technology can vastly improve the utilization of available light

Friendly Lighting

In zero-light scenarios, built-in, environmental-friendly, soft and warm supplemental lighting works to guarantee colorful images

The ColorVu logo, featuring the word 'ColorVu' in a sans-serif font. The 'C' is multi-colored (yellow, blue, orange, red), and the 'Vu' is in a dark grey color.

ColorVu



HIKVISION THERMAL CAMERAS SEEING THE UNSEEN

All objects with a temperature above absolute zero emit thermal radiation, even at low levels. This kind of radiation, invisible to the human eye, can be detected by thermal imaging sensors. Thermal cameras can produce images in the visual spectrum by detecting temperature differences between an object and its surroundings. The larger the difference, the bigger the contrast variety, making details visible. Compared to visible-light cameras, thermal cameras can be used for applications in more challenging environments.



EasyIP 4.0

JUST THE RIGHT INTELLIGENCE IN JUST THE RIGHT PLACES EasyIP 4.0 SOLUTION

Video surveillance does not have to be complex. Technological advancements in every corner of our lives is becoming more and more simplified and user-friendly. And it's true in security, too.

What makes the best security system? The right components in the right places. And for the small to medium sized businesses with budget and time restrictions, Hikvision has got the right solution. The EasyIP 4.0 Solution.

For those who know the earlier EasyIP versions, this is the go-to, out-of-the-box system. With new and intelligent features, the EasyIP 4.0 Solution gets more done – and does it smarter.



IP CAMERAS

Hikvision has a wide range of IP cameras that bring intelligence, efficiency and varied specifications to a wide range of vertical applications.

Cutting-edge features, like DarkFighter technology and Hikvision's unique H.265+ compression codec provide outstanding image quality, even in challenging lighting environments. Camera form factors vary from box cameras, indoor and outdoor domes and bullets – right up to anti-corrosion, panoramic and people counting cameras.

The cameras are split into four areas: the Solution Series, aimed at equipping customers for a full solution; the Project Series, which provides high-quality, scalable cameras for even the most challenging project; the Economic Series, for those with limited budgets and the ANPR Series for traffic solutions.

	FIXED MINI BULLET CAMERA	FIXED BULLET CAMERA	FIXED MINI BULLET CAMERA	FIXED MINI BULLET CAMERA	FIXED BULLET CAMERA
Short Description	 2 MP IR Fixed Bullet Network Camera	 2MP Ultra-light Mini Bullet Network Camera	 4 MP IR Fixed Bullet Network Camera	 4 MP IR Fixed Bullet Network Camera	 4 MP IR Fixed Bullet Network Camera
Model	DS-2CD202360-I	DS-2CD2025FWD-I	DS-2CD204360-I	DS-2CD204360-I(BLACK)	DS-2CD2045FWD-I
Image Sensor	1/2.8" Progressive Scan CMOS	1/2.8" Progressive Scan CMOS	1/3" Progressive Scan CMOS	1/3" Progressive Scan CMOS	1/2.5" Progressive Scan CMOS
Min. Illumination(Color)	Color: 0.01 Lux @ (F1.2, AGC ON), 0.028 Lux @ (F2.0, AGC ON), 0 Lux with IR	Color: 0.005 lux @(F1.2, AGC ON), 0 lux with IR	Color: 0.01 Lux @ (F1.2, AGC ON), 0.018 Lux @ (F1.6, AGC ON), 0 Lux with IR	Color: 0.01 Lux @ (F1.2, AGC ON), 0.018 Lux @ (F1.6, AGC ON), 0 Lux with IR	Color: 0.009 lux @(F1.2, AGC ON), 0.016 lux @(F1.6, AGC ON), 0 lux with IR
Lens option	2.8mm	2.8mm	2.8mm	2.8mm	2.8mm
Horizontal Angle of View	2.8 mm: Horizontal FOV: 103°, vertical FOV: 59°, diagonal FOV: 118°	108°	Horizontal FOV: 98°, vertical FOV: 55°, diagonal FOV: 114°	Horizontal FOV: 98°, vertical FOV: 55°, diagonal FOV: 114°	Horizontal FOV:109°
Video Compression	Main stream: H.265/H.264,Sub-stream: H.265/H.264/MJPEG,Third stream: H.265/H.264	Main stream: H.265/H.264Sub stream: H.265/H.264/MJPEGThird stream: H.265/H.264	Main stream: H.265/H.264,Sub-stream: H.265/H.264/MJPEG,Third stream: H.265/H.264	Main stream: H.265/H.264,Sub-stream: H.265/H.264/MJPEG,Third stream: H.265/H.264	Main stream: H.265/H.264Sub stream: H.265/H.264/MJPEGThird stream: H.265/H.264
Max. Image Resolution	1920 × 1080	1920 × 1080	2560 × 1440	2560 × 1440	2560 × 1440
WDR	120dB	120dB	120dB	120dB	120dB
Operations Conditions	-30 °C to +60 °C (-22 °F to +140 °F), Humidity 95% or less (non-condensing)	-30 °C to +60 °C (-22 °F to +140 °F), Humidity 95% or less (non-condensing)	-30 °C to +60 °C (-22 °F to +140 °F), Humidity 95% or less (non-condensing)	-30 °C to +60 °C (-22 °F to +140 °F), Humidity 95% or less (non-condensing)	-30 °C to +60 °C (-22 °F to +140 °F), Humidity 95% or less (non-condensing)
Power Supply	12 VDC ± 25%, Φ 5.5 mm coaxial power plug, PoE (802.3af, class 3)	12 VDC ± 25%/PoE(802.3af, class 3)	12 VDC ± 25%, Φ 5.5 mm coaxial power plug,PoE (802.3af, class 3)	12 VDC ± 25%, Φ 5.5 mm coaxial power plug,PoE (802.3af, class 3)	12 VDC ± 25%/PoE(802.3af, class 3)
Consumption	12 VDC, 0.5A, max. 6W,PoE (802.3af, 37V to 57V), 0.2A to 0.1A, max. 7.5W	-	12 VDC, 0.5A, max. 6W;PoE (802.3af, 37V to 57V), 0.2A to 0.1A, max. 7.5W	12 VDC, 0.5A, max. 6W;PoE (802.3af, 37V to 57V), 0.2A to 0.1A, max. 7.5W	12 VDC, 0.5 A, max. 5.5 WPoE (802.3af, 36V to 57V), 0.2 A to 0.1 A, max. 7 W
IR Range	Up to 30 m	30m	Up to 30 m	Up to 30 m	30m
Weatherproof	IP67	IP67	IP67	IP67	IP67
Protection level	-	-	-	-	-
Audio Input/Output	-	-	-	-	-
Alarm Input/Output	-	-	-	-	-

FIXED MINI BULLET CAMERA

FIXED BULLET CAMERA

FIXED DOME CAMERA



Short Description	4 MP IR Fixed Bullet Network Camera	6 MP IR Fixed Bullet Network Camera	8 MP IR Fixed Bullet Network Camera	8MP Mini Bullet Network Camera	2 MP IR Fixed Dome Network Camera
Model	DS-2CD2045FWD-I(BLACK)	DS-2CD2065FWD-I	DS-2CD2083G0-I	DS-2CD2085FWD-I(B)	DS-2CD2123G0-I(S)
Image Sensor	1/2.5" Progressive Scan CMOS	1/2.4" Progressive Scan CMOS	1/2.5" Progressive Scan CMOS	1/2.5" Progressive Scan CMOS	1/2.8" Progressive Scan CMOS
Min. Illumination(Color)	Color: 0.009 lux @(F1.2, AGC ON), 0.016 lux @(F1.6, AGC ON), 0 lux with IR	Color: 0.008 Lux @(F1.2, AGC ON), 0.014 Lux @(F1.6, AGC ON)	Color: 0.01 Lux @(F1.2, AGC ON), 0.018 Lux @(F1.6, AGC ON), 0 Lux with IR	0.008 Lux @(F1.2, AGC ON), 0.014 Lux @(F1.6, AGC ON)	Color: 0.01 Lux @(F1.2, AGC ON), 0.028 Lux @(F2.0, AGC ON), 0 Lux with IR
Lens option	2.8mm	2.8/4/6 mm	2.8mm	2.8 mm	4 mm
Horizontal Angle of View	Horizontal FOV:109°	2.8 mm, Horizontal FOV: 99°, vertical FOV: 61°, diagonal FOV: 128° 4 mm, Horizontal FOV: 80°, vertical FOV: 51°, diagonal FOV: 101° 6 mm, Horizontal FOV: 60°, vertical FOV: 38°	Horizontal FOV: 102°	102°	4 mm, Horizontal FOV: 86°, vertical FOV: 46°, diagonal FOV: 102°
Video Compression	Main stream: H.265/H.264Sub stream: H.265/H.264/MJPEGThird stream: H.265/H.264	Main stream: H.265/H.264 Sub stream: H.265/H.264/MJPEG Third stream: H.265/H.264	Main stream: H.265/H.264,Sub-stream: H.265/H.264/MJPEG,Third stream: H.265/H.264	Main stream: H.265/H.264Sub stream: H.265/H.264/MJPEGThird stream: H.265/H.264	Main stream: H.265/H.264 Sub-stream: H.265/H.264/MJPEG Third stream: H.265/H.264
Max. Image Resolution	2560 × 1440	3072 × 2048	3840 × 2160	3840 × 2160	1920 × 1080
WDR	120dB	120dB	120dB	120dB	120dB
Operations Conditions	-30 °C to +60 °C (-22 °F to +140 °F), Humidity 95% or less (non-condensing)	-30 °C to +60 °C (-22 °F to +140 °F), Humidity 95% or less (non-condensing)	-30 °C to +60 °C (-22 °F to +140 °F), Humidity 95% or less (non-condensing)	-30 °C to +60 °C (-22 °F to +140 °F), Humidity 95% or less (non-condensing)	-30 °C to +60 °C (-22 °F to +140 °F), Humidity 95% or less (non-condensing)
Power Supply	12 VDC ± 25%/PoE(802.3af, class 3)	12 VDC ± 25%, 5.5 mm coaxial power plug PoE (802.3af, class 3)	12 VDC ± 25%, Φ 5.5 mm coaxial power plug,PoE (802.3af, class 3)	12 VDC ± 25%/PoE(802.3af, class 3)	12 VDC ± 25%, Φ 5.5 mm coaxial power plug PoE (802.3af, class 3)
Consumption	12 VDC, 0.5 A, max. 5.5 WPoE (802.3af, 36V to 57V), 0.2 A to 0.1 A, max. 7 W	12 VDC, 0.4 A, max. 6W PoE: (802.3af, 36V to 57V), 0.2 A to 0.1 A, max. 7.5W	12 VDC, 0.4 A, max. 6WPoE: (802.3af, 36V to 57V), 0.2 A to 0.1 A, max. 7.5W	7W/7.5W	12 VDC, 0.5A, max. 6W PoE (802.3af, 37V to 57V), 0.2A to 0.1A, max. 7.5W
IR Range	30m	Up to 30 m	Up to 30 m	30m	Up to 30 m
Weatherproof	IP67	IP67	IP67	IP67	IP67
Protection level	-	IK10	-	-	IK10
Audio Input/Output	-	-	-	-	1/1
Alarm Input/Output	-	-	-	-	1/1



Short Description	2 MP Ultra-Low Light Network Dome Camera	2 MP IR Fixed Dome Network Camera	4 MP IR Fixed Dome Network Camera	4 MP IR Fixed Dome Network Camera	4 MP IR Fixed Dome Network Camera
Model	DS-2CD2125FWD-I(S)	DS-2CD2126G1-I(S)	DS-2CD2143G0-I(S)	DS-2CD2143G0-I(S)(BLACK)	DS-2CD2145FWD-IS
Image Sensor	1/2.8" Progressive Scan CMOS	1/2.8" Progressive Scan CMOS	1/3" Progressive Scan CMOS	1/3" Progressive Scan CMOS	1/2.5" Progressive Scan CMOS
Min. Illumination(Color)	Color: 0.005 lux @(F1.2, AGC ON), 0 lux with IR	Color: 0.005 Lux @(F1.2, AGC ON), 0.009 Lux @(F1.6, AGC ON)	Color: 0.01 Lux @(F1.2, AGC ON), 0.018 Lux @(F1.6, AGC ON), 0 Lux with IR	Color: 0.01 Lux @(F1.2, AGC ON), 0.018 Lux @(F1.6, AGC ON), 0 Lux with IR	Color: 0.009 lux @(F1.2, AGC ON), 0.016 lux @(F1.6, AGC ON), 0 lux with IR
Lens option	2.8mm	2.8 mm	4 mm	4 mm	2.8mm
Horizontal Angle of View	108°	2.8 mm, Horizontal FOV: 108°, vertical FOV: 58°, diagonal FOV: 128°	4 mm, Horizontal FOV: 83°, vertical FOV: 45°, diagonal FOV: 99°	4 mm, Horizontal FOV: 83°, vertical FOV: 45°, diagonal FOV: 99°	Horizontal FOV:109°
Video Compression	Main stream: H.265/H.264Sub stream: H.265/H.264/MJPEGThird stream: H.265/H.264	Main stream: H.265/H.264Sub stream: H.265/H.264/MJPEG	Main stream: H.265/H.264 Sub-stream: H.265/H.264/MJPEG Third stream: H.265/H.264	Main stream: H.265/H.264 Sub-stream: H.265/H.264/MJPEG Third stream: H.265/H.264	Main stream: H.265/H.264Sub stream: H.265/H.264/MJPEGThird stream: H.265/H.264
Max. Image Resolution	1920 × 1080	1920 × 1080	2688 × 1520	2688 × 1520	2560 × 1440
WDR	120dB	120dB	120dB	120dB	120dB
Operations Conditions	-30 °C to +60 °C (-22 °F to +140 °F), Humidity 95% or less (non-condensing)	-30 °C to +50 °C (-22 °F to +122 °F), Humidity 95% or less (non-condensing)	-30 °C to +60 °C (-22 °F to +140 °F), Humidity 95% or less (non-condensing)	-30 °C to +60 °C (-22 °F to +140 °F), Humidity 95% or less (non-condensing)	-30 °C to +60 °C (-22 °F to +140 °F), Humidity 95% or less (non-condensing)
Power Supply	12 VDC ± 25%/PoE(802.3af, class 3)	12 VDC ± 25%, 5.5 mm coaxial power plugPoE (802.3af, class 3)	12 VDC ± 25%, Φ 5.5 mm coaxial power plug PoE (802.3af, class 3)	12 VDC ± 25%, Φ 5.5 mm coaxial power plug PoE (802.3af, class 3)	12 VDC ± 25%/PoE(802.3af, class 3)
Consumption	-	12 VDC, 0.6 A, max: 7 WPoE: (802.3af, 36 V to 57 V), 0.2 A to 0.1 A, max: 8.5 W	12 VDC, 0.5A, max. 6W PoE (802.3af, 37V to 57V), 0.2A to 0.1A, max. 7.5W	12 VDC, 0.5A, max. 6W PoE (802.3af, 37V to 57V), 0.2A to 0.1A, max. 7.5W	12 VDC, 0.5 A, max. 5.5 WPoE (802.3af, 36V to 57V), 0.2 A to 0.1 A, max. 7 W
IR Range	30m	Up to 30 m	Up to 30 m	Up to 30 m	30m
Weatherproof	IP67	IP67	IP67	IP67	IP67
Protection level	IK10	IK10	IK10	IK10	IK10
Audio Input/Output	-	1/1	1/1	1/1	-
Alarm Input/Output	-	1/1	1/1	1/1	-



NEW

Short Description	4 MP IR Fixed Dome Network Camera	4 MP IR Fixed Dome Network Camera	6 MP IR Fixed Dome Network Camera	8 MP IR Fixed Dome Network Camera	8MP Network Dome Camera
Model	DS-2CD2145FWD-IS(BLACK)	DS-2CD2146G1-I(S)	DS-2CD2165FWD-IS	DS-2CD2183G0-I	DS-2CD2185FWD-I
Image Sensor	1/2.5" Progressive Scan CMOS	1/2.7" Progressive Scan CMOS	1/2.4" Progressive Scan CMOS	1/2.5" Progressive Scan CMOS	1/2.5" Progressive Scan CMOS
Min. Illumination(Color)	Color: 0.009 lux @ (F1.2, AGC ON), 0.016 lux @ (F1.6, AGC ON), 0 lux with IR	Color: 0.007 Lux @ (F1.2, AGC ON), 0.012 Lux @ (F1.6, AGC ON)	Color: 0.008 Lux @ (F1.2, AGC ON), 0.014 Lux @ (F1.6, AGC ON)	Color: 0.01 Lux @ (F1.2, AGC ON), 0.018 Lux @ (F1.6, AGC ON), 0 Lux with IR	0.01 lux @ (F1.2, AGC ON), 0 lux with IR
Lens option	2.8mm	2.8 mm	2.8/4/6 mm	2.8mm	2.8 mm
Horizontal Angle of View	Horizontal FOV:109°	2.8 mm, Horizontal FOV: 104°, vertical FOV: 58°, diagonal FOV: 124°	2.8 mm, Horizontal FOV: 99°, vertical FOV: 61°, diagonal FOV: 128° 4 mm, Horizontal FOV: 80°, vertical FOV: 51°, diagonal FOV: 101° 6 mm, Horizontal FOV: 60°, vertical FOV: 38°	Horizontal FOV: 102°	102°
Video Compression	Main stream: H.265/H.264Sub stream: H.265/H.264/MJPEGThird stream: H.265/H.264	Main stream: H.265/H.264Sub stream: H.265/H.264/MJPEG	Main stream: H.265/H.264 Sub stream: H.265/H.264/MJPEG Third stream: H.265/H.264	Main stream: H.265/H.264,Sub-stream: H.265/H.264/MJPEG,Third stream: H.265/H.264	Main stream: H.265/H.264Sub stream: H.265/H.264/MJPEGThird stream: H.265/H.264
Max. Image Resolution	2560 × 1440	2688 × 1520	3072 × 2048	3840 × 2160	3840 × 2160
WDR	120dB	120dB	120dB	120dB	120dB
Operations Conditions	-30 °C to +60 °C (-22 °F to +140 °F), Humidity 95% or less (non-condensing)	-30 °C to +50 °C (-22 °F to +122 °F), Humidity 95% or less (non-condensing)	-30 °C to +60 °C (-22 °F to +140 °F), Humidity 95% or less (non-condensing)	-30 °C to +60 °C (-22 °F to +140 °F), Humidity 95% or less (non-condensing)	-30°C – 60 °C (-22 °F – 140 °F), Humidity 95% or less (non-condensing), -H: -40 °C – 60 °C
Power Supply	12 VDC ± 25%/PoE(802.3af, class 3)	12 VDC ± 25%, 5.5 mm coaxial power plugPoE (802.3af, class 3)	12 VDC ± 25%, 5.5 mm coaxial power plug PoE (802.3af, class 3)	12 VDC ± 25%, Φ 5.5 mm coaxial power plug,PoE (802.3af, class 3)	12 VDC ± 25%/PoE(802.3af, class 3)
Consumption	12 VDC, 0.5 A, max. 5.5 WPoE (802.3af, 36V to 57V), 0.2 A to 0.1 A, max. 7 W	12 VDC, 0.7 A, max: 8.5 WPoE (802.3af, 36 V to 57 V), 0.3 A to 0.2 A, max: 10 W	12 VDC, 0.4 A, max. 6W PoE: (802.3af, 36V to 57V), 0.2 A to 0.1 A, max. 7.5W	12 VDC, 0.5A, max. 6W,PoE (802.3af, 37V to 57V), 0.2A to 0.1A, max. 7.5W	-
IR Range	30m	Up to 30 m	Up to 30 m	Up to 30 m	30m
Weatherproof	IP67	IP67	IP67	IP67	IP67
Protection level	IK10	IK10	IK10	IK10	IK10
Audio Input/Output	-	1/1	1 audio input (line in), 1 audio output interface, terminal block	1/1(-S)	-
Alarm Input/Output	-	1/1	1 alarm input, 1 alarm output (max. 12 VDC, 30 mA), terminal block	1/1(-S)	-






FIXED TURRET CAMERA



Short Description	2 MP IR Fixed Turret Network Camera	2MP Ultra-Low Light Network Turret Camera	2 MP IR Fixed Turret Network Camera	4 MP IR Fixed Turret Network Camera	4 MP IR Fixed Turret Network Camera
Model	DS-2CD232360-I	DS-2CD2325FWD-I	DS-2CD232661-I	DS-2CD234360-I	DS-2CD234360-I(BLACK)
Image Sensor	1/2.8" Progressive Scan CMOS	1/2.5" Progressive Scan CMOS	1/2.8" Progressive Scan CMOS	1/3" Progressive Scan CMOS	1/3" Progressive Scan CMOS
Min. Illumination(Color)	Color: 0.01 Lux @ (F1.2, AGC ON), 0.028 Lux @ (F2.0, AGC ON), 0 Lux with IR	0.005 lux @(F1.2, AGC ON), 0 lux with IR	0.005 Lux @ (F1.2, AGC ON), 0.009 Lux @ (F1.6, AGC ON)	Color: 0.01 Lux @ (F1.2, AGC ON), 0.018 Lux @ (F1.6, AGC ON), 0 Lux with IR	Color: 0.01 Lux @ (F1.2, AGC ON), 0.018 Lux @ (F1.6, AGC ON), 0 Lux with IR
Lens option	2.8mm	2.8 mm	2.8 mm	2.8mm	2.8mm
Horizontal Angle of View	Horizontal FOV: 114°, vertical FOV: 62°, diagonal FOV: 135°	108°	2.8 mm, Horizontal FOV: 108°, vertical FOV: 58°, diagonal FOV: 128°	2.8 mm: Horizontal FOV: 98°, vertical FOV: 55°, diagonal FOV: 114°	2.8 mm: Horizontal FOV: 98°, vertical FOV: 55°, diagonal FOV: 114°
Video Compression	Main stream: H.265/H.264,Sub-stream: H.265/H.264/MJPEG,Third stream: H.265/H.264	Main stream: H.265/H.264Sub stream: H.265/H.264/MJPEGThird stream: H.265/H.264	Main stream: H.265/H.264Sub stream: H.265/H.264/MJPEG	Main stream: H.265/H.264, Sub-stream: H.265/H.264/MJPEG, Third stream: H.265/H.264	Main stream: H.265/H.264, Sub-stream: H.265/H.264/MJPEG, Third stream: H.265/H.264
Max. Image Resolution	1920 × 1080	1920 × 1080	1920 × 1080	2560 × 1440	2560 × 1440
WDR	3D DNR	120dB	120dB	120dB	120dB
Operations Conditions	-30 °C to +60 °C (-22 °F to +140 °F), Humidity 95% or less (non-condensing)	-30°C +60 °C (-22 °F to +140 °F), Humidity 95% or less (non-condensing)	-30 °C to +60 °C (-22 °F to +140 °F), Humidity 95% or less (non-condensing)	-30 °C to +60 °C (-22 °F to +140 °F), Humidity 95% or less (non-condensing)	-30 °C to +60 °C (-22 °F to +140 °F), Humidity 95% or less (non-condensing)
Power Supply	12 VDC ± 25%, Φ 5.5 mm coaxial power plug,PoE (802.3af, class 3)	12 VDC ± 25%/PoE(802.3af, 42.5 – 57V, class 3)	12 VDC ± 25%, 5.5 mm coaxial power plugPoE (802.3af, class 3)	12 VDC ± 25%, Φ 5.5 mm coaxial power plug,PoE (802.3af, class 3)	12 VDC ± 25%, Φ 5.5 mm coaxial power plug,PoE (802.3af, class 3)
Consumption	12 VDC, 0.5A, max. 6W,PoE (802.3af, 37V to 57V), 0.2A to 0.1A, max. 7.5W	-	12 VDC, 0.6 A, max: 7 WPoE: (802.3af, 36 V to 57 V), 0.2 A to 0.1 A, max: 8.5 W	12 VDC, 0.5A, max. 6W,PoE (802.3af, 37V to 57V), 0.2A to 0.1A, max. 7.5W	12 VDC, 0.5A, max. 6W,PoE (802.3af, 37V to 57V), 0.2A to 0.1A, max. 7.5W
IR Range	Up to 30 m	30m	Up to 50 m	Up to 30 m	Up to 30 m
Weatherproof	IP67	IP67	IP67	IP67	IP67
Protection level	-	-	-	-	-
Audio Input/Output	-	-	-	-	-
Alarm Input/Output	-	-	-	-	-








Short Description	4 MP IR Fixed Turret Network Camera	4 MP IR Fixed Turret Network Camera	4 MP IR Fixed Turret Network Camera	6MP Network Turret Camera	8 MP IR Fixed Turret Network Camera
Model	DS-2CD2345FWD-I	DS-2CD2345FWD-I(BLACK)	DS-2CD2346G1-I	DS-2CD2365FWD-I	DS-2CD238360-I
Image Sensor	1/2.5" Progressive Scan CMOS	1/2.5" Progressive Scan CMOS	1/2.7" Progressive Scan CMOS	1/2.4" Progressive Scan CMOS	1/2.5" Progressive Scan CMOS
Min. Illumination(Color)	Color: 0.009 lux @(F1.2, AGC ON), 0.016 lux @(F1.6, AGC ON), 0 lux with IR	Color: 0.009 lux @(F1.2, AGC ON), 0.016 lux @(F1.6, AGC ON), 0 lux with IR	0.007 Lux @(F1.2, AGC ON), 0.012 Lux @(F1.6, AGC ON)	Color: 0.008 Lux @(F1.2, AGC ON), 0.014 Lux @(F1.6, AGC ON)	Color: 0.01 Lux @(F1.2, AGC ON), 0.018 Lux @(F1.6, AGC ON), 0 Lux with IR
Lens option	2.8 mm	2.8 mm	2.8 mm	2.8 mm	2.8mm
Horizontal Angle of View	Horizontal FOV:109°	Horizontal FOV:109°	2.8 mm, Horizontal FOV: 104°, vertical FOV: 58°, diagonal FOV: 124°	99°	Horizontal FOV: 102°
Video Compression	Main stream: H.265/H.264Sub stream: H.265/H.264/MJPEGThird stream: H.265/H.264	Main stream: H.265/H.264Sub stream: H.265/H.264/MJPEGThird stream: H.265/H.264	Main stream: H.265/H.264Sub stream: H.265/H.264/MJPEG	Main stream: H.265/H.264Sub stream: H.265/H.264/MJPEGThird stream: H.265/H.264	Main stream: H.265/H.264, Sub-stream: H.265/H.264/MJPEG, Third stream: H.265/H.264
Max. Image Resolution	2560 × 1440	2560 × 1440	2688 × 1520	3072 × 2048	3840 × 2160
WDR	120dB	120dB	120dB	120dB	120dB
Operations Conditions	-30 °C to +60 °C (-22 °F to +140 °F), Humidity 95% or less (non-condensing)	-30 °C to +60 °C (-22 °F to +140 °F), Humidity 95% or less (non-condensing)	-30 °C to +50 °C (-22 °F to +122 °F), Humidity 95% or less (non-condensing)	-30°C +60 °C (-22 °F to +140 °F), Humidity 95% or less (non-condensing)	-30 °C to +60 °C (-22 °F to +140 °F), Humidity 95% or less (non-condensing)
Power Supply	12 VDC ± 25%, PoE(802.3af, class 3)	12 VDC ± 25%, PoE(802.3af, class 3)	12 VDC ± 25%, 5.5 mm coaxial power plugPoE (802.3af, class 3)	12 VDC ± 25%, 5.5 mm coaxial power plug PoE (802.3af, class 3)	12 VDC ± 25%, Φ 5.5 mm coaxial power plug,PoE (802.3af, class 3)
Consumption	12 VDC, 0.5 A, max. 6 WPoE (802.3af, 36V to 57V), 0.3 A to 0.2 A, max. 7.5 W	12 VDC, 0.5 A, max. 6 WPoE (802.3af, 36V to 57V), 0.3 A to 0.2 A, max. 7.5 W	12 VDC, 0.7 A, max: 8.5 WPoE: (802.3af, 36 V to 57 V), 0.3 A to 0.2 A, max: 10 W	12 VDC, 0.5 A, max: 6 W PoE: (802.3af, 36 VDC to 57 VDC), 0.3 A to 0.2 A, max: 7.5 W	12 VDC, 0.5A, max. 6W,PoE (802.3af, 37V to 57V), 0.2A to 0.1A, max. 7.5W
IR Range	30m	30m	Up to 50 m	30m	Up to 30 m
Weatherproof	IP67	IP67	IP67	IP67	IP67
Protection level	-	-	-	-	-
Audio Input/Output	-	-	-	-	-
Alarm Input/Output	-	-	-	-	-

	CUBE CAMERA		FIXED MINI DOME CAMERA		
					
Short Description	2 MP EXIR Fixed Cube Network Camera	4 MP IR Fixed Cube Network Camera	2 MP EXIR Fixed Mini Dome Network Camera	2 MP EXIR Fixed Mini Dome Network Camera	4 MP EXIR Fixed Mini Dome Network Camera
Model	DS-2CD2425FWD-I(W)(S)	DS-2CD2443G0-I(W)	DS-2CD2523G0-IS	DS-2CD2525FWD-I(W)(S)	DS-2CD2543G0-IS
Image Sensor	1/2.8" Progressive Scan CMOS	1/3" Progressive Scan CMOS	1/2.7" Progressive Scan CMOS	1/2.8" Progressive Scan CMOS	1/3" Progressive Scan CMOS
Min. Illumination(Color)	Color: 0.005 Lux @ (F1.2, AGC ON), 0 Lux with IR; Color: 0.009 lux @(F1.6, AGC ON), 0 lux with IR	Color: 0.01 Lux @ (F1.2, AGC ON), 0.018 lux @(F1.6, AGC ON), 0 lux with IR	Color: 0.01 Lux @ (F1.2, AGC ON), 0.018 lux @(F1.6, AGC ON), 0 lux with IR	Color: 0.005 Lux @ (F1.2, AGC ON), 0 Lux with IR; Color: 0.009 lux @(F1.6, AGC ON), 0 lux with IR	Color: 0.01 Lux @ (F1.2, AGC ON), 0.018 lux @(F1.6, AGC ON), 0 lux with IR
Lens option	2.8 mm	2.8 mm	2.8mm	2.8mm	2.8mm
Horizontal Angle of View	108°	2.8 mm, Horizontal FOV: 98°, vertical FOV: 55°, diagonal FOV: 114°	Horizontal FOV: 114°	108°	Horizontal FOV: 98°
Video Compression	Main stream: H.265/H.264Sub stream: H.265/H.264/MJPEG	Main stream: H.265/H.264 Sub-stream: H.265/H.264/MJPEG Third stream: H.265/H.264	Main stream: H.265/H.264Sub stream: H.265/H.264/MJPEGThird stream: H.265/H.264	Main stream: H.265/H.264Sub stream: H.265/H.264/MJPEG	Main stream: H.265/H.264Sub stream: H.265/H.264/MJPEGThird stream: H.265/H.264
Max. Image Resolution	1920 × 1080	2688 × 1520	1920 × 1080	1920 × 1080	2688 × 1520
WDR	120dB	120dB	120dB	120dB	120dB
Operations Conditions	-10 °C to +40 °C (14 °F to +104 °F), Humidity: 95% or less (non-condensing)	-10 °C to +40 °C (14 °F to +104 °F), Humidity: 95% or less (non-condensing)	-30 °C to +60 °C (-22 °F to +140 °F), Humidity: 95% or less (non-condensing)	-30 °C to 60 °C (-22 °F to 140 °F), Humidity: 95% or less (non-condensing)	-30 °C to +60 °C (-22 °F to +140 °F), Humidity: 95% or less (non-condensing)
Power Supply	12 VDC ± 20%, PoE (802.3af, class 3)	12 VDC ± 25%, PoE (802.3af, class 3)	12 VDC ± 25%, PoE (802.3af, class 3)	12 VDC ± 25%, PoE (802.3af, class 3)	12 VDC ± 25%, PoE (802.3af, class 3)
Consumption	12 VDC, 0.38A, max. 7WPoE (802.3af, 36V to 57V), 0.2 A to 0.1 A, max. 7W	12 VDC, 0.5 A, max. 6 W, Φ 5.5 mm coaxial plug power PoE (802.3af, 36V to 57V), 0.2 A to 0.1 A, max. 7W	12 VDC, 0.7A, max. 8.5W, Φ 5.5mm coaxial plug powerPoE (802.3af, 36V to 57V), 0.3 A to 0.1 A, max. 10W	12 VDC, 0.625A, max. 7.5WPoE (802.3af, 36V to 57V), 0.26 A to 0.17 A, max. 9.5W	12 VDC, 0.7A, max. 8.5W, Φ 5.5mm coaxial plug powerPoE (802.3af, 36V to 57V), 0.3 A to 0.1 A, max. 10W
IR Range	Up to 10 m	10 m	Up to 10 m	Up to 10 m	Up to 10 m
Weatherproof	-	-	IP66	IP66	IP66
Protection level	-	-	IK08	IK08	IK08
Audio Input/Output	1/1	1/1	2/1	2/1(-S)	-
Alarm Input/Output	-	-	1/1	1/1(-S)	-






VARI-FOCAL BULLET CAMERA



					
Short Description	4 MP IR Fixed Mini Dome Network Camera	2 MP IR VF Bullet Network Camera	2MP WDR Vari-focal Network Bullet Camera	2MP WDR Vari-focal Network Bullet Camera	AcuSense 2 MP IR Varifocal Bullet Network Camera
Model	DS-2CD2545FWD-I(W)(S)(BLACK)	DS-2CD262360-IZS	DS-2CD2625FWD-IZS	DS-2CD2625FWD-IZS(BLACK)	DS-2CD262661-IZ(S)
Image Sensor	1/2.5" Progressive Scan CMOS	1/2.8" Progressive Scan CMOS	1/2.8" Progressive Scan CMOS	1/2.8" Progressive Scan CMOS	1/2.8" Progressive Scan CMOS
Min. Illumination(Color)	Color: 0.008 Lux @ (F1.2, AGC ON), 0.014 lux @ (F1.6, AGC ON), 0 lux with IR	Color: 0.01 Lux @ (F1.2, AGC ON), 0.018 Lux @ (F1.6, AGC ON), 0 Lux with IR	Color: 0.005 Lux @ (F1.2, AGC ON), 0 Lux with IR Color: 0.0068 Lux @ (F1.4, AGC ON), 0 Lux with IR	Color: 0.005 Lux @ (F1.2, AGC ON), 0 Lux with IR Color: 0.0068 Lux @ (F1.4, AGC ON), 0 Lux with IR	Color: 0.005 Lux @ (F1.2, AGC ON), 0.007 Lux @ (F1.4, AGC ON), 0 Lux with IR
Lens option	2.8, 4, 6 mm	Horizontal FOV: 110° to 31°, vertical FOV: 58° to 18°, diagonal FOV: 136° to 36°	2.8-12mm	2.8-12mm	2.8 mm to 12 mm
Horizontal Angle of View	2.8 mm: Horizontal field of view: 109°, Vertical field of view: 60°, Diagonal field of view: 131° 4 mm: Horizontal field of view: 88°, Vertical field of view: 46°, Diagonal field of view: 105° 6 mm: Horizontal field of view: 53°, Vertical field of view: 30°, Diagonal field of view: 61°	Horizontal FOV: 110° to 31°, vertical FOV: 58° to 18°, diagonal FOV: 136° to 36°	105°-35°	105°-35°	Horizontal FOV: 113° to 32°, vertical FOV: 59° to 18°, diagonal FOV: 137° to 37°
Video Compression	Main stream: H.265/H.264 Sub stream: H.265/H.264/MJPEG Third stream: H.265/H.264	Main stream: H.265/H.264, Sub-stream: H.265/H.264/MJPEG, Third stream: H.265/H.264	Main stream: H.265+/H.265/H.264+/H.264Sub stream: H.265+/H.265/H.264+/H.264/MJPEGThird stream: H.265+/H.265/H.264+/H.264	Main stream: H.265+/H.265/H.264+/H.264Sub stream: H.265+/H.265/H.264+/H.264/MJPEGThird stream: H.265+/H.265/H.264+/H.264	Main stream: H.265/H.264 Sub stream: H.265/H.264/MJPEG
Max. Image Resolution	2688 × 1520	1920 × 1080	1920 × 1080	1920 × 1080	1920 × 1080
WDR	120dB	120dB	120dB	120dB	120dB
Operations Conditions	-30 °C to +60 °C (-22 °F to +140 °F), Humidity 95% or less (non-condensing)	-30 °C to +60 °C (-22 °F to +140 °F), Humidity 95% or less (non-condensing)	-30°C +60 °C (-22 °F to +140 °F), Humidity 95% or less (non-condensing)	-30°C +60 °C (-22 °F to +140 °F), Humidity 95% or less (non-condensing)	-30 °C to +60 °C (-22 °F to +140 °F), Humidity 95% or less (non-condensing)
Power Supply	12 VDC ± 25%, PoE (802.3af)	12 VDC ± 25%, terminal block, PoE (802.3at, class 4)	12 VDC ± 25%/PoE(802.3af, 42.5 – 57V, class 3)	12 VDC ± 25%/PoE(802.3af, 42.5 – 57V, class 3)	12 VDC ± 25%, 5.5 mm coaxial power plug PoE (802.3at, class 4)
Consumption	12 VDC, 0.7A, max. 8.5W, Φ 5.5mm coaxial plug power PoE (802.3af, 36V to 57V), 0.3 A to 0.1 A, max. 10W	12 VDC, 1.2A, max. 14.5W;PoE (802.3at, 42.5V to 57V), 0.43A to 0.3A, max. 18W	-	-	12 VDC, 1.3 A, max. 15.5 W PoE: (802.3at, 42.5 VDC to 57 VDC), 0.5 A to 0.3 A, max. 19 W
IR Range	Up to 10 m	Up to 50 m	30m	30m	Up to 50 m
Weatherproof	IP66	IP67	IP67	IP67	IP67
Protection level	IK08	IK10	IK10	IK10	IK10
Audio Input/Output	2 Inputs: line in or mic in (built-in microphone), 1 Output: line out, mono sound, terminal block	-	1/1	1/1	1 audio input (line in), 1 audio output (line out), mono sound
Alarm Input/Output	1 Input: Alarm in, 1 Output: Alarm out, terminal block	-	1/1	1/1	1 alarm input, 1 alarm output








Short Description	4 MP IR Varifocal Bullet Network Camera	4 MP IR VF Bullet Network Camera	4 MP IR VF Bullet Network Camera	AcuSense 4 MP IR Varifocal Bullet Network Camera	6 MP IR Varifocal Bullet Network Camera
Model	DS-2CD2643G1-IZ(S)	DS-2CD2645FWD-IZS	DS-2CD2645FWD-IZS(BLACK)	DS-2CD2646G1-IZ(S)	DS-2CD2665FWD-IZS
Image Sensor	1/3" Progressive Scan CMOS	1/2.5" Progressive Scan CMOS	1/2.5" Progressive Scan CMOS	1/2.7" Progressive Scan CMOS	1/2.4" Progressive Scan CMOS
Min. Illumination(Color)	Color: 0.01 Lux @ (F1.2, AGC ON), 0.018 Lux @ (F1.6, AGC ON), 0 Lux with IR	Color: 0.009 lux @(F1.2, AGC ON), 0.016 lux @(F1.6, AGC ON), 0 lux with IR	Color: 0.009 lux @(F1.2, AGC ON), 0.016 lux @(F1.6, AGC ON), 0 lux with IR		Color: 0.008 Lux @ (F1.2, AGC ON), 0.014 Lux @ (F1.6, AGC ON)
Lens option	2.8-12 mm	2.8-12mm	2.8-12mm	2.8 mm to 12 mm	2.8-12 mm
Horizontal Angle of View	horizontal FOV: 104° to 29° vertical FOV: 55° to 17° diagonal FOV: 125° to 34°	Horizontal FOV: 114° to 32°	Horizontal FOV: 114° to 32°	Horizontal FOV: 101° to 29°, vertical FOV: 54° to 16°, diagonal FOV: 121° to 34°	Horizontal field of view: 114° to 34° Vertical field of view: 71° to 23° Diagonal field of view: 154° to 41°
Video Compression	Main stream: H.265/H.264 Sub-stream: H.265/H.264/MJPEG Third stream: H.265/H.264	Main stream: H.265+/H.265/H.264+/H.264Sub stream: H.265+/H.265/H.264+/H.264/MJPEGThird stream: H.265+/H.265/H.264+/H.264	Main stream: H.265+/H.265/H.264+/H.264Sub stream: H.265+/H.265/H.264+/H.264/MJPEGThird stream: H.265+/H.265/H.264+/H.264	Main stream: H.265/H.264 Sub stream: H.265/H.264/MJPEG	Main stream: H.265/H.264 Sub stream: H.265/H.264/MJPEG Third stream: H.265/H.264
Max. Image Resolution	2688 × 1520	2560 × 1440	2560 × 1440	2688 × 1520	3072 × 2048
WDR	120dB	120dB	120dB	120dB	120dB
Operations Conditions	-30 °C to +60 °C (-22 °F to +140 °F), Humidity 95% or less (non-condensing)	-30 °C to +60 °C (-22 °F to +140 °F), Humidity 95% or less (non-condensing)	-30 °C to +60 °C (-22 °F to +140 °F), Humidity 95% or less (non-condensing)	-30 °C to +60 °C (-22 °F to +140 °F), Humidity 95% or less (non-condensing)	-30 °C to +60 °C (-22 °F to +140 °F), Humidity 95% or less (non-condensing)
Power Supply	12 VDC ± 25%, PoE (802.3af, class 3)	12 VDC ± 25%, terminal block for DC inputPoE(802.3at, class 4)	12 VDC ± 25%, terminal block for DC inputPoE(802.3at, class 4)	12 VDC ± 25%, 5.5 mm coaxial power plug PoE (802.3at, class 4)	12 VDC ± 25% PoE (802.3at, class 4)
Consumption	12 VDC, 1.2A, max. 14.5W PoE (802.3at, 42.5V to 57V), 0.43A to 0.3A, max. 18W	12 VDC, 1.2 A, max. 14.4 WPoE (802.3at, 42.5V to 57V), 0.5 A to 0.3 A, max. 18 W	12 VDC, 1.2 A, max. 14.4 WPoE (802.3at, 42.5V to 57V), 0.5 A to 0.3 A, max. 18 W	12 VDC, 1.3 A, max. 15.5 W PoE: (802.3at, 42.5 VDC to 57 VDC), 0.5 A to 0.3 A, max. 19 W	12 VDC, 1.2A, max. 14.5W PoE: (802.3at, 42.5V to 57V), 0.5A to 0.3A, max. 18W
IR Range	50m	50m	50m	Up to 50 m	Up to 50 m
Weatherproof	IP67	IP67	IP67	IP67	IP67
Protection level	-	IK10	IK10	IK10	IK10
Audio Input/Output	1 input (line in/mic.in), 1 output (line out), mono sound, terminal block	1/1	1/1	1 audio input (line in), 1 audio output (line out), mono sound	1 input (line in, 3.5 mm), 1 output (3.5 mm), mono sound
Alarm Input/Output	1 input, 1 output (max. 12 VDC, 30 mA), terminal block	1/1	1/1	1 alarm input, 1 alarm output	1 input, 1 output (max. 12 VDC, 30 mA)

					
Short Description	8MP WDR Vari-focal Network Bullet Camera	8MP WDR Vari-focal Network Bullet Camera	2 MP IR VF Dome Network Camera	2MP WDR Vari-focal Network Dome Camera	2MP WDR Vari-focal Network Dome Camera
Model	DS-2CD2685FWD-IZS(B)	DS-2CD2685FWD-IZS(BLACK)	DS-2CD2723G0-IZS	DS-2CD2725FWD-IZS	DS-2CD2725FWD-IZS(BLACK)
Image Sensor	1/2.5" Progressive Scan CMOS	1/2.5" Progressive Scan CMOS	1/2.8" Progressive Scan CMOS	1/2.8" Progressive Scan CMOS	1/2.8" Progressive Scan CMOS
Min. Illumination(Color)	Color: 0.008 Lux @ (F1.2, AGC ON), 0.011 Lux @ (F1.4, AGC ON)	Color: 0.01 Lux @ (F1.2, AGC ON), 0 Lux with IR Color: 0.014 Lux @ (F1.4, AGC ON), 0 Lux with IR	Color: 0.01 Lux @ (F1.2, AGC ON), 0.018 Lux @ (F1.6, AGC ON), 0 Lux with IR	Color: 0.005 Lux @ (F1.2, AGC ON), 0 Lux with IR Color: 0.0068 Lux @ (F1.4, AGC ON), 0 Lux with IR	Color: 0.005 Lux @ (F1.2, AGC ON), 0 Lux with IR Color: 0.0068 Lux @ (F1.4, AGC ON), 0 Lux with IR
Lens option	2.8-12mm	2.8-12mm	2.8-12 mm	2.8-12mm	2.8-12mm
Horizontal Angle of View	97°-33°	97°-33°	Horizontal FOV: 110° to 31°, vertical FOV: 58° to 18°, diagonal FOV: 136° to 36°	105°-35°	105°-35°
Video Compression	Main stream: H.265+/H.265/H.264+/H.264 Sub stream: H.265+/H.265/H.264+/H.264/MJPEG Third stream: H.265+/H.265/H.264+/H.264	Main stream: H.265+/H.265/H.264+/H.264 Sub stream: H.265+/H.265/H.264+/H.264/MJPEG Third stream: H.265+/H.265/H.264+/H.264	Main stream: H.265/H.264, Sub-stream: H.265/H.264/MJPEG, Third stream: H.265/H.264	Main stream: H.265+/H.265/H.264+/H.264 Sub stream: H.265+/H.265/H.264+/H.264/MJPEG Third stream: H.265+/H.265/H.264+/H.264	Main stream: H.265+/H.265/H.264+/H.264 Sub stream: H.265+/H.265/H.264+/H.264/MJPEG Third stream: H.265+/H.265/H.264+/H.264
Max. Image Resolution	3840 × 2160	3840 × 2160	1920 × 1080	1920 × 1080	1920 × 1080
WDR	120dB	120dB	120dB	120dB	120dB
Operations Conditions	-30°C +60 °C (-22 °F to +140 °F), Humidity 95% or less (non-condensing)	-30°C +60 °C (-22 °F to +140 °F), Humidity 95% or less (non-condensing)	-30 °C to +60 °C (-22 °F to +140 °F), Humidity 95% or less (non-condensing)	-30°C +60 °C (-22 °F to +140 °F), Humidity 95% or less (non-condensing)	-30°C +60 °C (-22 °F to +140 °F), Humidity 95% or less (non-condensing)
Power Supply	12 VDC ± 25%, PoE (802.3at) Terminal block for DC input	12 VDC ± 25%, PoE (802.3at) Terminal block for DC input	12 VDC ± 25%, terminal block; PoE (802.3af, class 3)	12 VDC ± 25%, PoE (802.3at) Terminal block for DC input	12 VDC ± 25%, PoE (802.3at) Terminal block for DC input
Consumption	-	-	12 VDC, 0.8A, max. 10W; PoE (802.3af, 37V to 57V), 0.35A to 0.2A, max. 12W	-	-
IR Range	50m	50m	Up to 30 m	30m	30m
Weatherproof	IP67	IP67	IP67	IP67	IP67
Protection level	IK10	IK10	IK10	IK10	IK10
Audio Input/Output	1/1	1/1	-	1/1	1/1
Alarm Input/Output	1/1	1/1	-	1/1	1/1



Short Description	AcuSense 2 MP IR Varifocal Dome Network Camera	4 MP IR Varifocal Dome Network Camera	4 MP IR VF Dome Network Camera	4 MP IR VF Dome Network Camera	4 MP IR VF Dome Network Camera
Model	DS-2CD2726G1-IZ(S)	DS-2CD2743G1-IZ(S)	DS-2CD2745FWD-IZS	DS-2CD2745FWD-IZS(B)	DS-2CD2745FWD-IZS(BLACK)
Image Sensor	1/2.8" Progressive Scan CMOS	1/3" Progressive Scan CMOS	1/2.5" Progressive Scan CMOS	1/2.5" Progressive Scan CMOS	1/2.5" Progressive Scan CMOS
Min. Illumination(Color)	Color: 0.005 Lux @ (F1.2, AGC ON), 0.007 Lux @ (F1.4, AGC ON), 0 Lux with IR	Color: 0.01 Lux @ (F1.2, AGC ON), 0.018 Lux @ (F1.6, AGC ON), 0 Lux with IR	Color: 0.009 lux @(F1.2, AGC ON), 0.016 lux @(F1.6, AGC ON), 0 lux with IR	Color: 0.009 lux @(F1.2, AGC ON), 0.016 lux @(F1.6, AGC ON), 0 lux with IR	Color: 0.009 lux @(F1.2, AGC ON), 0.016 lux @(F1.6, AGC ON), 0 lux with IR
Lens option	2.8 mm to 12 mm	2.8-12 mm	2.8-12mm	2.8-12mm	2.8-12mm
Horizontal Angle of View	Horizontal FOV: 113° to 32°, vertical FOV: 59° to 18°, diagonal FOV: 137° to 37°	horizontal FOV: 104° to 29° vertical FOV: 55° to 17° diagonal FOV: 125° to 34°	Horizontal FOV: 114° to 32°	Horizontal FOV: 114° to 32°	Horizontal FOV: 114° to 32°
Video Compression	Main stream: H.265/H.264 Sub stream: H.265/H.264/MJPEG	Main stream: H.265/H.264 Sub-stream: H.265/H.264/MJPEG Third stream: H.265/H.264	Main stream: H.265+/H.265/H.264+/H.264Sub stream: H.265+/H.265/H.264+/H.264/MJPEGThird stream: H.265+/H.265/H.264+/H.264	Main stream: H.265+/H.265/H.264+/H.264Sub stream: H.265+/H.265/H.264+/H.264/MJPEGThird stream: H.265+/H.265/H.264+/H.264	Main stream: H.265+/H.265/H.264+/H.264Sub stream: H.265+/H.265/H.264+/H.264/MJPEGThird stream: H.265+/H.265/H.264+/H.264
Max. Image Resolution	1920 × 1080	2688 × 1520	2560 × 1440	2560 × 1440	2560 × 1440
WDR	120dB	120dB	120dB	120dB	120dB
Operations Conditions	-30 °C to +60 °C (-22 °F to +140 °F), Humidity 95% or less (non-condensing)	-30 °C to +60 °C (-22 °F to +140 °F), Humidity 95% or less (non-condensing)	-30 °C to +60 °C (-22 °F to +140 °F), Humidity 95% or less (non-condensing)	-30 °C to +60 °C (-22 °F to +140 °F), Humidity 95% or less (non-condensing)	-30 °C to +60 °C (-22 °F to +140 °F), Humidity 95% or less (non-condensing)
Power Supply	12 VDC ± 25%, 5.5 mm coaxial power plug PoE (802.3af, class 3)	12 VDC ± 25%, PoE (802.3af, class 3)	12 VDC ± 25%, PoE (802.3at)Terminal block for DC input	12 VDC ± 25%, PoE (802.3at)Terminal block for DC input	12 VDC ± 25%, PoE (802.3at)Terminal block for DC input
Consumption	12 VDC, 0.9 A, max. 11 W PoE: (802.3af, 36 VDC to 57 VDC), 0.4 A to 0.2 A, max. 12.9 W	12 VDC, 0.8A, max. 10W PoE (802.3af, 36V to 57V), 0.35A to 0.2A, max. 12W	12 VDC, 1 A, max. 11 W PoE (802.3af, 36V to 57V), 0.4 A to 0.2 A, max. 12.5 W	12 VDC, 1 A, max. 11 W PoE (802.3af, 36V to 57V), 0.4 A to 0.2 A, max. 12.5 W	12 VDC, 1 A, max. 11 W PoE (802.3af, 36V to 57V), 0.4 A to 0.2 A, max. 12.5 W
IR Range	Up to 30 m	30m	30m	30m	30m
Weatherproof	IP67	IP67	IP67	IP67	IP67
Protection level	IK10	IK10	IK10	IK10	IK10
Audio Input/Output	1 audio input (line in), 1 audio output (line out), mono sound	1 input (line in/mic.in), 1 output (line out), mono sound, terminal block	1/1	1/1	1/1
Alarm Input/Output	1 alarm input, 1 alarm output	1 input, 1 output (max. 12 VDC, 30 mA), terminal block	1/1	1/1	1/1

					
				BOX CAMERA	MINI NETWORK CAMERA
Short Description	AcuSense 4 MP IR Varifocal Dome Network Camera	6 MP IR Varifocal Dome Network Camera	8MP WDR Vari-focal Network Dome Camera	2 MP Box Network Camera	2 MP Mini Network Camera
Model	DS-2CD2746G1-IZ(S)	DS-2CD2765FWD-IZS	DS-2CD2785FWD-IZS(B)	DS-2CD2821G0	DS-2CD2D21G0/M-D/NF
Image Sensor	1/2.7" Progressive Scan CMOS	1/2.4" Progressive Scan CMOS	1/2.9" Progressive Scan CMOS	1/2.7" Progressive Scan CMOS	1/2.7" Progressive Scan CMOS
Min. Illumination(Color)	Color: 0.007 Lux @ (F1.2, AGC ON), 0.01 Lux @ (F1.4, AGC ON), 0 Lux with IR	Color: 0.008 Lux @ (F1.2, AGC ON), 0.011 Lux @ (F1.4, AGC ON)	Color: 0.008 Lux @ (F1.2, AGC ON), 0.011 Lux @ (F1.4, AGC ON)	0.005 Lux @ (F1.2, AGC ON)	Without /M model: Color: 0.025 Lux @ (F1.2, AGC ON), Color: 0.109 Lux @ (F2.5, AGC ON) B/W: 0.005 Lux @ (F1.2, AGC ON), B/W: 0.022 Lux @ (F2.5, AGC ON) With /M model: Color: 0.025 Lux @ (F1.2, AGC ON), Color: 0.069 Lux @ (F2.0, AGC ON) B/W: 0.005 Lux @ (F1.2, AGC ON), B/W: 0.014 Lux @ (F2.0, AGC ON)
Lens option	2.8 mm to 12 mm	2.8-12 mm	2.8-12mm		Without /M model: 3.7 mm With /M model: 2.8 mm, 4 mm
Horizontal Angle of View	Horizontal FOV: 101° to 29°, vertical FOV: 54° to 16°, diagonal FOV: 121° to 34°	Horizontal field of view: 114° to 34° Vertical field of view: 71° to 23° Diagonal field of view: 154° to 41°	120°-36°		Without /M model: 3.7 mm Horizontal FOV: 78°, vertical FOV: 43°, diagonal FOV: 90° With/M model: 2.8 mm Horizontal FOV: 114°, vertical FOV: 62°, diagonal FOV: 135° 4 mm Horizontal FOV: 86°, vertical FOV: 46°, diagonal FOV: 102.5°
Video Compression	Main stream: H.265/H.264 Sub stream: H.265/H.264/MJPEG	Main stream: H.265/H.264 Sub stream: H.265/H.264/MJPEG Third stream: H.265/H.264	Main stream: H.265+/H.265/H.264+/H.264 Sub stream: H.265+/H.265/H.264+/H.264/MJPEG Third stream: H.265+/H.265/H.264+/H.264	Main stream: H.265/H.264 Sub stream: H.265/H.264/MJPEG	H.265/H.264/MJPEG
Max. Image Resolution	2688 × 1520	3072 × 2048	3840 × 2160	1920 × 1080	
WDR	120dB	120dB	120dB		120dB
Operations Conditions	-30 °C to +60 °C (-22 °F to +140 °F), Humidity 95% or less (non-condensing)	-30 °C to +60 °C (-22 °F to +140 °F), Humidity 95% or less (non-condensing)	-30°C +60 °C (-22 °F to +140 °F), Humidity 95% or less (non-condensing)	-10 °C to +50 °C (14 °F to +122 °F), Humidity 95% or less (non-condensing)	-30 °C to +60 °C (-22 °F to +140 °F), Humidity 95% or less (non-condensing)
Power Supply	12 VDC ± 25%, 5.5 mm coaxial power plug PoE (802.3af, class 3)	12 VDC ± 25% PoE (802.3af, class 3)	12 VDC ± 25%, PoE (802.3af) Terminal block for DC input	DC: 12 V ± 25% AC: 24 V ± 25% (AC24V models support) PoE: 802.3af, class 3 Terminal block	12 VDC ± 20%, Φ 5.5 mm coaxial plug power
Consumption	12 VDC, 0.9 A, max. 11 W PoE: (802.3af, 36 VDC to 57 VDC), 0.4 A to 0.2 A, max. 12.9 W	12 VDC, 0.9A, max. 10.5W PoE: (802.3af, 36V to 57V), 0.4A to 0.2A, max. 12.5W	-	DC: 12 V, 0.4 A, max: 4.8 W AC: 24 V, 0.2 A, max: 4.8 W (AC24V model supports) PoE: (802.3af, 36 V to 57 V), 0.2 A to 0.1 A, max: 6 W	12 VDC, 0.3 A, max. 3 W
IR Range	Up to 30 m	Up to 50 m	30m		
Weatherproof	IP67	IP67	IP67		
Protection level	IK10	IK10	IK10		
Audio Input/Output	1 audio input (line in), 1 audio output (line out), mono sound	1 input (line in, 3.5 mm), 1 output (3.5 mm), mono sound	1/1	1 input (line in/mic in, 3.5 mm), 1 output (3.5 mm) [only -AC model supports mic in]	1
Alarm Input/Output	1 alarm input, 1 alarm output	1 input, 1 output (max. 12 VDC, 30 mA)	1/1	DS-2CD2821G0: 1 input, 1 output (max. DC 12 V, 30 mA) DS-2CD2821G0 (AC24V/DC12V): 1 input, 1 output (max. DC 24 V, 1 A or max. AC 110 V, 500 mA)	

VARI-FOCAL TURRET CAMERA



NEW








NEW

Short Description	2 MP WDR Vari-focal Network Turret Camera	2 MP WDR Vari-focal Network Turret Camera	4 MP IR VF Turret Network Camera	4 MP IR VF Turret Network Camera	4 MP IR VF Turret Network Camera
Model	DS-2CD2H25FWD-IZS	DS-2CD2H25FWD-IZS(BLACK)	DS-2CD2H45FWD-IZS	DS-2CD2H45FWD-IZS(B)	DS-2CD2H45FWD-IZS(BLACK)
Image Sensor	1/2.8" Progressive Scan CMOS	1/2.8" Progressive Scan CMOS	1/2.5" Progressive Scan CMOS	1/2.5" Progressive Scan CMOS	1/2.5" Progressive Scan CMOS
Min. Illumination(Color)	Color: 0.005 Lux @ (F1.2, AGC ON), 0 Lux with IRCOLOR: 0.0068 Lux @ (F1.4, AGC ON), 0 Lux with IR	Color: 0.005 Lux @ (F1.2, AGC ON), 0 Lux with IRCOLOR: 0.0068 Lux @ (F1.4, AGC ON), 0 Lux with IR	Color: 0.009 lux @(F1.2, AGC ON), 0.016 lux @(F1.6, AGC ON), 0 lux with IR	Color: 0.009 lux @(F1.2, AGC ON), 0.016 lux @(F1.6, AGC ON), 0 lux with IR	Color: 0.009 lux @(F1.2, AGC ON), 0.016 lux @(F1.6, AGC ON), 0 lux with IR
Lens option	2.8 -12 mm	2.8 -12 mm	2.8-12 mm	2.8-12 mm	2.8-12 mm
Horizontal Angle of View	105°~35°	105°~35°	Horizontal FOV: 114° to 32°	Horizontal FOV: 114° to 32°	Horizontal FOV: 114° to 32°
Video Compression	Main stream: H.265+/H.265/H.264+/H.264Sub stream: H.265+/H.265/H.264+/H.264/MJPEGThird stream: H.265+/H.265/H.264+/H.264	Main stream: H.265+/H.265/H.264+/H.264Sub stream: H.265+/H.265/H.264+/H.264/MJPEGThird stream: H.265+/H.265/H.264+/H.264	Main stream: H.265+/H.265/H.264+/H.264Sub stream: H.265+/H.265/H.264+/H.264/MJPEGThird stream: H.265+/H.265/H.264+/H.264	Main stream: H.265+/H.265/H.264+/H.264Sub stream: H.265+/H.265/H.264+/H.264/MJPEGThird stream: H.265+/H.265/H.264+/H.264	Main stream: H.265+/H.265/H.264+/H.264Sub stream: H.265+/H.265/H.264+/H.264/MJPEGThird stream: H.265+/H.265/H.264+/H.264
Max. Image Resolution	1920 × 1080	1920 × 1080	2560 × 1440	2560 × 1440	2560 × 1440
WDR	120dB	120dB	120dB	120dB	120dB
Operations Conditions	-30 °C to +60 °C (-22 °F to +140 °F), Humidity 95% or less (non-condensing)	-30 °C to +60 °C (-22 °F to +140 °F), Humidity 95% or less (non-condensing)	-30 °C to +60 °C (-22 °F to +140 °F), Humidity 95% or less (non-condensing)	-30 °C to +60 °C (-22 °F to +140 °F), Humidity 95% or less (non-condensing)	-30 °C to +60 °C (-22 °F to +140 °F), Humidity 95% or less (non-condensing)
Power Supply	12 VDC ± 25%, PoE (802.3af)Terminal block for DC input	12 VDC ± 25%, PoE (802.3af)Terminal block for DC input	12 VDC ± 25%, PoE (802.3af)Terminal block for DC input	12 VDC ± 25%, PoE (802.3af)Terminal block for DC input	12 VDC ± 25%, PoE (802.3af)Terminal block for DC input
Consumption	Max. 10W	Max. 10W	12 VDC, 1 A, max. 11 WPoE (802.3af, 36V to 57V), 0.4 A to 0.3 A, max. 12.5 W	12 VDC, 1 A, max. 11 WPoE (802.3af, 36V to 57V), 0.4 A to 0.3 A, max. 12.5 W	12 VDC, 1 A, max. 11 WPoE (802.3af, 36V to 57V), 0.4 A to 0.3 A, max. 12.5 W
IR Range	Up to 30 m	Up to 30 m	Up to 30 m	Up to 30 m	Up to 30 m
Weatherproof	IP67	IP67	IP67	IP67	IP67
Protection level	IK10	IK10	IK10	IK10	IK10
Audio Input/Output	1/1	1/1	1/1	1/1	1/1
Alarm Input/Output	1/1	1/1	1/1	1/1	1/1

FIXED BULLET CAMERA

NEW

NEW

Short Description	 28MP WDR Vari-focal Network Turret Camera	 28MP WDR Vari-focal Network Turret Camera	 2 MP IR Fixed Bullet Network Camera	 2 MP IR Fixed Bullet Network Camera	 2 MP IR Fixed Bullet Network Camera
Model	DS-2CD2H85FWD-IZS	DS-2CD2H85FWD-IZS(BLACK)	DS-2CD2T2360-I5/I8	DS-2CD2T25FWD-I5/I8	DS-2CD2T2661-2I/4I
Image Sensor	1/2.5" Progressive Scan CMOS	1/2.5" Progressive Scan CMOS	1/2.8" Progressive Scan CMOS	1/2.8" Progressive Scan CMOS	1/2.8" Progressive Scan CMOS
Min. Illumination(Color)	Color: 0.01 Lux @ (F1.2, AGC ON), 0 Lux with IR Color: 0.014 Lux @ (F1.4, AGC ON), 0 Lux with IR	Color: 0.01 Lux @ (F1.2, AGC ON), 0 Lux with IR Color: 0.014 Lux @ (F1.4, AGC ON), 0 Lux with IR	Color: 0.01 Lux @ (F1.2, AGC ON), 0.028 Lux @ (F2.0, AGC ON), 0 Lux with IR	Color: 0.005 Lux @ (F1.2, AGC ON), 0 Lux with IR Color: 0.009 Lux @ (F1.6, AGC ON), 0 Lux with IR	0.005 Lux @ (F1.2, AGC ON), 0.009 Lux @ (F1.6, AGC ON)
Lens option	2.8 -12 mm	2.8 -12 mm	2.8mm	2.8/4/6/8/12 mm	2.8 mm
Horizontal Angle of View	120°~36°	120°~36°	Horizontal FOV: 114°, vertical FOV: 62°, diagonal FOV: 135°	2.8 mm, Horizontal field of view: 108° 4 mm, Horizontal field of view: 86.4° 6 mm, Horizontal field of view: 52° 8 mm, Horizontal field of view: 41° 12 mm, Horizontal field of view: 25°	2.8 mm, Horizontal FOV: 108°, vertical FOV: 58°, diagonal FOV: 128°
Video Compression	Main stream: H.265+/H.265/H.264+/H.264Sub stream: H.265+/H.265/H.264+/H.264/MJPEGThird stream: H.265+/H.265/H.264+/H.264	Main stream: H.265+/H.265/H.264+/H.264Sub stream: H.265+/H.265/H.264+/H.264/MJPEGThird stream: H.265+/H.265/H.264+/H.264	Main stream: H.265/H.264,Sub-stream: H.265/H.264/MJPEG,Third stream: H.265/H.264	Main stream: H.265/H.264 Sub stream: H.265/H.264/MJPEG Third stream: H.265/H.264	Main stream: H.265/H.264Sub stream: H.265/H.264/MJPEG
Max. Image Resolution	3840 × 2160	3840 × 2160	1920 × 1080	1920 × 1080	1920 × 1080
WDR	120dB	120dB	120dB	120dB	120dB
Operations Conditions	-30 °C to +60 °C (-22 °F to +140 °F), Humidity 95% or less (non-condensing)	-30 °C to +60 °C (-22 °F to +140 °F), Humidity 95% or less (non-condensing)	-30 °C to +60 °C (-22 °F to +140 °F), Humidity 95% or less (non-condensing)	-30 °C to +60 °C (-22 °F to +140 °F), Humidity 95% or less (non-condensing)	-30 °C to +60 °C (-22 °F to +140 °F), Humidity 95% or less (non-condensing)
Power Supply	12 VDC ± 25%, PoE (802.3af)Terminal block for DC input	12 VDC ± 25%, PoE (802.3af)Terminal block for DC input	12 VDC ± 25%, Φ 5.5 mm coaxial power plug,PoE (802.3af, class 3)	12 VDC ± 25%, PoE(802.3af 36 – 57 V, class 3)	12 VDC ± 25%, 5.5 mm coaxial power plugPoE (802.3at, class 4)
Consumption	Max. 11W	Max. 11W	12 VDC, 0.6A, max. 7.5W,PoE (802.3af, 37V to 57V), 0.2A to 0.1A, max. 9.5W	-I5: 12 VDC ± 25%, 7 W; PoE, 9 W -I8: 12 VDC ± 25%, 10 W; PoE, 12.5 W	-2I: 12 VDC, 0.9 A, max: 10 WPoE: (802.3at, 42.5 V to 57 V), 0.3A to 0.1A, max: 12.5 W-4I:12 VDC, 1.2 A, max: 14 WPoE: (802.3at, 42.5 V to 57 V), 0.4A to 0.1A, max: 17 W
IR Range	Up to 30 m	Up to 30 m	Up to 50 m	-I5: up to 50 m -I8: up to 80 m	-2I: 2LEDs, up to 50 m-4I: 4LEDs, up to 80 m
Weatherproof	IP67	IP67	IP67	IP67	IP67
Protection level	IK10	IK10	-	-	-
Audio Input/Output	1/1	1/1	-	-	-
Alarm Input/Output	1/1	1/1	-	-	-



Short Description	4 MP IR Fixed Bullet Network Camera	4 MP IR Fixed Bullet Network Camera	4 MP IR Fixed Bullet Network Camera	6MP EXIR Network Bullet Camera	8 MP IR Fixed Bullet Network Camera
Model	DS-2CD2T4360-I5/I8	DS-2CD2T45FWD-I5/I8	DS-2CD2T4661-2I/4I	DS-2CD2T65FWD-I5/I8	DS-2CD2T85FWD-I5/I8(B)
Image Sensor	1/3" Progressive Scan CMOS	1/2.5" Progressive Scan CMOS	1/2.7" Progressive Scan CMOS	1/2.5" Progressive Scan CMOS	1/2.5" Progressive Scan CMOS
Min. Illumination(Color)	Color: 0.01 Lux @ (F1.2, AGC ON), 0.018 Lux @ (F1.6, AGC ON), 0 Lux with IR	Color: 0.008 lux @ (F1.2, AGC ON), 0.014 lux @ (F1.6, AGC ON), 0 lux with IR	0.007 Lux @ (F1.2, AGC ON), 0.012 Lux @ (F1.6, AGC ON)	Color: 0.008 Lux @ (F1.2, AGC ON), 0.014 Lux @ (F1.6, AGC ON)	Color: 0.008 Lux @ (F1.2, AGC ON), 0.014 Lux @ (F1.6, AGC ON)
Lens option	2.8/4/6/8 mm	2.8, 4, 6, 8, 12 mm	2.8 mm	2.8mm	2.8/4/6 mm
Horizontal Angle of View	2.8 mm, Horizontal FOV: 103°, vertical FOV: 58°, diagonal FOV: 123° 4 mm, Horizontal FOV: 83°, vertical FOV: 45°, diagonal FOV: 99° 6 mm, Horizontal FOV: 51°, vertical FOV: 29°, diagonal FOV: 58° 8 mm, Horizontal FOV: 39°, vertical FOV: 22°, diagonal FOV: 45°	2.8 mm, Horizontal FOV: 109°, vertical FOV: 60°, diagonal FOV: 131° 4 mm, Horizontal FOV: 88°, vertical FOV: 46°, diagonal FOV: 105° 6 mm, Horizontal FOV: 53°, vertical FOV: 30°, diagonal FOV: 61° 8 mm, Horizontal FOV: 41°, vertical FOV: 23°, diagonal FOV: 48° 12 mm, Horizontal FOV: 25°, vertical FOV: 14°, diagonal FOV: 29°	2.8 mm, Horizontal FOV: 104°, vertical FOV: 58°, diagonal FOV: 124°	80°	79°
Video Compression	Main stream: H.265/H.264 Sub-stream: H.265/H.264/MJPEG Third stream: H.265/H.264	Main stream: H.265+/H.265/H.264+/H.264 Sub stream: H.265+/H.265/H.264+/H.264/MJPEG Third stream: H.265+/H.265/H.264+/H.264	Main stream: H.265/H.264 Sub stream: H.265/H.264/MJPEG	Main stream: H.265/H.264 Sub stream: H.265/H.264/MJPEG Third stream: H.265/H.264	Main stream: H.265/H.264 Sub stream: H.265/H.264/MJPEG Third stream: H.265/H.264
Max. Image Resolution	2688 × 1520	2688 × 1520	2688 × 1520	3072 × 2048	3840 × 2160
WDR	120dB	120dB	120dB	120dB	120dB
Operations Conditions	-30 °C to +60 °C [-22 °F to +140 °F], Humidity 95% or less (non-condensing)	-30 °C to +60 °C [-22 °F to +140 °F], Humidity 95% or less (non-condensing)	-30 °C to +50 °C [-22 °F to +122 °F], Humidity 95% or less (non-condensing)	-30°C – 60 °C [-22 °F – 140 °F], Humidity 95% or less (non-condensing), -H: -40 °C – 60 °C	-30°C – 60 °C [-22 °F – 140 °F], Humidity 95% or less (non-condensing), -H: -40 °C – 60 °C
Power Supply	12 VDC ± 25%, Φ 5.5 mm coaxial power plug PoE (802.3af, class 3)	12 VDC ± 25%, Φ 5.5 mm coaxial plug powerPoE(802.3af, class 3)	12 VDC ± 25%, 5.5 mm coaxial power plugPoE (802.3at, class 4)	12 VDC ± 25%, 5.5 mm coaxial power plug PoE (802.3af, class 3)	12 VDC ± 25%, 5.5 mm coaxial power plugPoE (802.3af, class 3)
Consumption	-I5: 12 VDC, 0.6A, max. 7.5W PoE (802.3af, 37V to 57V), 0.2A to 0.1A, max. 9.5W -I8: 12 VDC, 0.95A, max. 11.5W PoE (802.3af, 37V to 57V), 0.35A to 0.1A, max. 12.5W	I5:12 VDC, 0.7 A, max. 7.5 W PoE (802.3af, 36V to 57V), 0.3 A to 0.1 A, max. 9.5 W I8:12 VDC, 1 A, max: 11.5 W PoE (802.3af, 36V to 57V), 0.4 A to 0.2 A, max. 12.9 W	-2I: 12 VDC, 0.9 A, Max: 10.5 W PoE: (802.3at, 42.5 V to 57 V), 0.3A to 0.1A, Max: 13 W -4I:12 VDC, 1.2 A, Max: 14 W PoE: (802.3at, 42.5 V to 57 V), 0.4A to 0.1A, Max: 17 W	-I5:12 VDC, 0.5 A, max: 8 W PoE: (802.3af, 36 VDC to 57 VDC), 0.3 A to 0.1 A, max: 9.5 W -I8:12 VDC, 1.0 A, max: 11 W PoE: (802.3af, 36 VDC to 57 VDC), 0.4 A to 0.1 A, max: 12.9 W	-I5:12 VDC, 0.7 A, max: 9 W PoE: (802.3af, 36 VDC to 57 VDC), 0.3 A to 0.1 A, max: 11 W -I8:12 VDC, 1 A, max: 11 W PoE: (802.3af, 36 VDC to 57 VDC), 0.4 A to 0.1 A, max: 12.9 W
IR Range	-I5: Up to 50 m -I8: Up to 80 m	I5: Up to 50 m I8: Up to 80 m	-2I: 2LEDs, up to 50 m -4I: 4LEDs, up to 80 m	50m	80m
Weatherproof	IP67	IP67	IP67	IP67	IP67
Protection level	-	-	-	-	-
Audio Input/Output	-	-	-	-	-
Alarm Input/Output	-	-	-	-	-

FIXED BULLET CAMERA



NEW



NEW



FIXED DOME CAMERA



NEW



NEW

Short Description	2 MP CMOS Network Bullet Camera	2 MP IR Network Bullet Camera	4 MP IR Network Bullet Camera	2 MP CMOS Network Dome Camera	2 MP IR Network Dome Camera
Model	DS-2CD1021-I	DS-2CD102360E-I	DS-2CD104360-I	DS-2CD1121-I	DS-2CD112360E-I
Image Sensor	1/2.8" progressive scan CMOS	1/2.8" progressive scan CMOS	1/3" progressive scan CMOS	1/2.8" progressive scan CMOS	1/2.8" progressive scan CMOS
Min. Illumination(Color)	Color: 0.01 Lux @(F1.2, AGC ON), 0 Lux with IR	Color: 0.01 Lux @(F1.2, AGC ON), 0.028 Lux @(F2.0, AGC ON)	Color: 0.01 Lux @(F1.2, AGC ON), 0.028 Lux @(F2.0, AGC ON)	Color: 0.01 Lux @(F1.2, AGC ON), 0 Lux with IR	Color: 0.01 Lux @(F1.2, AGC ON), 0.028Lux @(F2.0, AGC ON)
Lens option	2.8mm/4mm	2.8mm	2.8mm	2.8mm/4mm	2.8mm
Horizontal Angle of View	105.8°/83.6°	Horizontal FOV 103°, vertical FOV 59°, diagonal FOV 118°	Horizontal FOV 100°, vertical FOV 55°, diagonal FOV 117°	105°/84°	Horizontal FOV 114°, vertical FOV 62°, diagonal FOV 135°
Video Compression	H.264+/H.264/MJPEG	Main stream: H.265/H.264Sub stream: H.265/H.264/MJPEG	Main stream: H.265/H.264Sub stream: H.265/H.264/MJPEG	H.264+/H.264/MJPEG	Main stream: H.265/H.264 Sub stream: H.265/H.264/MJPEG
Max. Image Resolution	1920 × 1080	1920 × 1080	2560 × 1440	1920 × 1080	1920 × 1080
WDR	Digital WDR	Digital WDR	Digital WDR	Digital WDR	Digital WDR
Operations Conditions	-30 °C to 60 °C (-22 °F to 140 °F), Humidity: 95% or less (non-condensing)	-30 °C to 50 °C (-22 °F to 122 °F), Humidity: 95% or less (non-condensing)	-30 °C to 50 °C (-22 °F to 122 °F), Humidity: 95% or less (non-condensing)	-30 °C to 60 °C (-22 °F to 140 °F), Humidity: 95% or less (non-condensing)	-30 °C to 50 °C (-22 °F to 122 °F), Humidity: 95% or less (non-condensing)
Power Supply	12 VDC ± 25%, PoE (802.3af)	12 VDC ± 25%, 5.5 mm coaxial power plugPoE (802.3af, class 3)	12 VDC ± 25%, 5.5 mm coaxial power plugPoE (802.3af, class 3)	12 VDC ± 25%, PoE (802.3af)	12 VDC ± 25%, 5.5 mm coaxial power plug PoE (802.3af, class 3)
Consumption	Max. 5 W/6.5 W (PoE)	12 VDC, 0.4 A, Max: 5 WPoE: (802.3af, 36 V to 57 V), 0.2 A to 0.13 A, Max: 7 W	12 VDC, 0.4 A, Max: 5 WPoE: (802.3af, 36 V to 57 V), 0.2 A to 0.13 A, Max: 7 W	Max. 5 W	12 VDC, 0.4 A, Max: 5 W PoE: (802.3af, 36 V to 57 V), 0.2 A to 0.13 A, Max: 7 W
IR Range	Up to 30 m	Up to 30 m	Up to 30 m	Up to 30 m	Up to 30 m
Weatherproof	IP67	IP67	IP67	IP67	IP67
Protection level	-	-	-	IK10	IK10
Audio Input/Output	-	-	-	-	-
Alarm Input/Output	-	-	-	-	-



FIXED TURRET CAMERA



FIXED TURRET CAMERA



VARI-FOCAL BULLET CAMERA

Short Description	4 MP IR Network Dome Camera	2 MP CMOS Network Turret Camera	2 MP IR Network Turret Camera	4 MP IR Network Turret Camera	2 MP EXIR VF Bullet Network Camera
Model	DS-2CD114360-I	DS-2CD1321-I	DS-2CD132360-I	DS-2CD134360-I	DS-2CD162360-IZ
Image Sensor	1/3" progressive scan CMOS	1/2.8" progressive scan CMOS	1/2.8" progressive scan CMOS	1/3" progressive scan CMOS	1/2.8" Progressive Scan CMOS
Min. Illumination(Color)	Color: 0.01 Lux @(F1.2, AGC ON), 0.028Lux @(F2.0, AGC ON)	Color: 0.01 Lux @(F1.2, AGC ON), 0 Lux with IR	Color: 0.01 Lux @(F1.2, AGC ON), 0.028Lux @(F2.0, AGC ON)	Color: 0.01 Lux @(F1.2, AGC ON), 0.028Lux @(F2.0, AGC ON)	Color: 0.01 Lux @(F1.2, AGC ON), 0.018 Lux @(F1.6, AGC ON)
Lens option	2.8mm	2.8mm	4 mm	2.8mm	2.8-12 mm
Horizontal Angle of View	Horizontal FOV 100°, vertical FOV 55°, diagonal FOV 117°	Horizontal field of view 95°	Horizontal FOV 86°, vertical FOV 46°, diagonal FOV 102°	Horizontal FOV 100°, vertical FOV 55°, diagonal FOV 117°	98° to 34°
Video Compression	Main stream: H.265/H.264 Sub stream: H.265/H.264/MJPEG	Main stream: H.264+/H.264, Sub stream: H.264/MJPEG	Main stream: H.265/H.264 Sub stream: H.265/H.264/MJPEG	Main stream: H.265/H.264 Sub stream: H.265/H.264/MJPEG	Main stream: H.265/H.264 Sub stream: H.265/H.264/MJPEG
Max. Image Resolution	2560 × 1440	1920 × 1080	1920 × 1080	2560 × 1440	1920 × 1080
WDR	Digital WDR	Digital WDR	Digital WDR	Digital WDR	Digital WDR
Operations Conditions	-30 °C to 50 °C (-22 °F to 122 °F), Humidity: 95% or less (non-condensing)	-30 °C to 60 °C (-22 °F to 140 °F), Humidity: 95% or less (non-condensing)	-30 °C to 50 °C (-22 °F to 122 °F), Humidity: 95% or less (non-condensing)	-30 °C to 50 °C (-22 °F to 122 °F), Humidity: 95% or less (non-condensing)	-30 °C to 60 °C (-22 °F to 140 °F), Humidity: 95% or less (non-condensing)
Power Supply	12 VDC ± 25%, 5.5 mm coaxial power plug PoE (802.3af, class 3)	12 VDC ± 25%, PoE (802.3af)	12 VDC ± 25%, 5.5 mm coaxial power plug PoE (802.3af, class 3)	12 VDC ± 25%, 5.5 mm coaxial power plug PoE (802.3af, class 3)	12 VDC ± 20%, 5.5 mm coaxial power plug PoE (802.3af, class 3)
Consumption	12 VDC, 0.4 A, Max: 5 W PoE: (802.3af, 36 V to 57 V), 0.2 A to 0.13 A, Max: 7 W	Max. 4 W/6 W (PoE)	12 VDC, 0.4 A, Max: 5 W PoE: (802.3af, 36 V to 57 V), 0.2 A to 0.13 A, Max: 7 W	12 VDC, 0.4 A, Max: 5 W PoE: (802.3af, 36 V to 57 V), 0.2 A to 0.13 A, Max: 7 W	12 VDC, 0.9 A, max. 11 W; PoE: (802.3af, 36 V to 57 V), 0.4 A to 0.2 A, max. 12.9 W
IR Range	Up to 30 m	Up to 30 m	Up to 30 m	Up to 30 m	Up to 30 m
Weatherproof	IP67	IP67	IP67	IP67	IP67
Protection level	IK10	-	-	-	-
Audio Input/Output	-	-	-	-	-
Alarm Input/Output	-	-	-	-	-



VARI-FOCAL DOME CAMERA



FIXED BULLET CAMERA



Short Description	4 MP EXIR VF Bullet Network Camera	2 MP VF Network Dome Camera	4 MP VF Network Dome Camera	4 MP IR Fixed Network Bullet Camera	2 MP IR Fixed Dome Network Camera
Model	DS-2CD164360-IZ	DS-2CD172360-IZ	DS-2CD174360-IZ	DS-2CD204161-IDW1	DS-2CD212161-IDW1
Image Sensor	1/3" Progressive Scan CMOS	1/2.8" progressive scan CMOS	1/3" progressive scan CMOS	1/3" Progressive Scan CMOS	1/2.8" Progressive Scan CMOS
Min. Illumination(Color)	Color: 0.01 Lux @(F1.2, AGC ON), 0.018 Lux @(F1.6, AGC ON)	Color: 0.01 Lux @(F1.2, AGC ON), 0.018Lux @(F1.6, AGC ON)	Color: 0.01 Lux @(F1.2, AGC ON), 0.018 Lux @(F1.6, AGC ON)	Color: 0.01 Lux @(F1.2; AGC ON), 0.028 Lux @(F2.0; AGC ON)	Color: 0.01 Lux @(F1.2; AGC ON), 0.028 Lux @(F2.0; AGC ON)
Lens option	2.8-12 mm	2.8-12 mm	2.8-12 mm	2.8/4 mm	2.8mm
Horizontal Angle of View	Horizontal field of view: 98° to 28° Vertical field of view: 51° to 16° Diagonal field of view: 115° to 32°	98° to 34°	98° to 28°	2.8 mm, Horizontal FOV: 100°, vertical FOV: 55°, diagonal FOV: 117° 4 mm, Horizontal field of view: 75°, vertical FOV: 41°, diagonal FOV: 88°	Horizontal FOV: 114°, vertical FOV: 62°, diagonal FOV: 135°
Video Compression	Main stream: H.265/H.264 Sub stream: H.265/H.264/MJPEG	Main stream: H.265/H.264Sub stream: H.265/H.264/MJPEG	Main stream: H.265/H.264Sub stream: H.265/H.264/MJPEG	Main stream: H.265/H.264 Sub stream: H.265/H.264/MJPEG	Main stream: H.265/H.264 Sub-stream: H.265/H.264/MJPEG
Max. Image Resolution	2560 × 1440	1920 × 1080	2560 × 1440	2560 × 1440	
WDR	120dB	Digital WDR	120dB		3D DNR
Operations Conditions	-30 °C to 60 °C (-22 °F to 140 °F), Humidity: 95% or less (non-condensing)	-30 °C to 50 °C (-22 °F to 122 °F), Humidity: 95% or less (non-condensing)	-30 °C to 50 °C (-22 °F to 122 °F), Humidity: 95% or less (non-condensing)	-30 °C to +60 °C (-22 °F to +140 °F), Humidity 95% or less (non-condensing)	-30 °C to +60 °C (-22 °F to +140 °F), Humidity 95% or less (non-condensing)
Power Supply	12 VDC ± 20%, 5.5 mm coaxial power plug PoE (802.3af, class 3)	12 VDC ± 20%, 5.5 mm coaxial power plugPoE (802.3af, class 3)	12 VDC ± 20%, 5.5 mm coaxial power plugPoE (802.3af, class 3)	12 VDC ± 25%, Φ 5.5 mm coaxial plug power	12 VDC ± 25%, Φ 5.5 mm coaxial plug power
Consumption	12 VDC, 0.9 A, max. 11 W; PoE: (802.3af, 36 V to 57 V), 0.4 A to 0.2 A, max. 12.9 W	12 VDC, 0.8 A, Max: 10 W; PoE: (802.3af, 36 V to 57 V), 0.35 A to 0.2 A, Max: 12 W	12 VDC, 0.8 A, Max: 10 W; PoE: (802.3af, 36 V to 57 V), 0.35 A to 0.2 A, Max: 12 W	12 VDC, 0.5 A, Max: 6W	12 VDC, 0.4 A, Max: 5W
IR Range	Up to 30 m	Up to 30 m	Up to 30 m	Up to 30 m	Up to 30 m
Weatherproof	IP67	IP67	IP67	IP66	IP66
Protection level	-	IK10	IK10		
Audio Input/Output	-	-	-	1 Built-in mic, mono sound	1 Built-in mic, mono sound
Alarm Input/Output	-	-	-		



Short Description	4 MP IR Fixed Network Dome Camera
Model	DS-2CD2141G1-IDW1
Image Sensor	1/3" Progressive Scan CMOS
Min. Illumination(Color)	Color: 0.01 Lux @(F1.2; AGC ON), 0.028 Lux @(F2.0; AGC ON)
Lens option	2.8/4 mm
Horizontal Angle of View	2.8 mm, Horizontal FOV: 100°, vertical FOV: 55°, diagonal FOV: 117°4 mm, Horizontal field of view: 75°, vertical FOV: 41°, diagonal FOV: 88°
Video Compression	Main stream: H.265/H.264Sub stream: H.265/H.264/MJPEG
Max. Image Resolution	2560 × 1440
WDR	
Operations Conditions	-30 °C to +60 °C [-22 °F to +140 °F], Humidity 95% or less (non-condensing)
Power Supply	12 VDC ± 25%, Φ 5.5 mm coaxial plug power
Consumption	12 VDC, 0.5 A, Max: 6W
IR Range	Up to 30 m
Weatherproof	IP66
Protection level	
Audio Input/Output	1 Built-in mic, mono sound
Alarm Input/Output	



4K ULTRA HIGH DEFINITION
SHOWING CRYSTAL CLEAR DETAILS





MORE THAN WHAT YOU SEE

TURBO HD 5.0 SOLUTION

Ever since Hikvision introduced its Turbo HD technology back in 2013, security industry professionals have praised its amazing ability. The Turbo HD line transforms analogue CCTV video into high quality, high definition surveillance. It's more than an upgrade - it's revolutionary technology. Installers love it because they can install it using existing coaxial cable (and other wiring, too); business owners love it because it's cost-effective; and everyone who uses it loves it for its clear, sharp imaging, high reliability, and ease of use.

Each iteration of the Turbo HD product portfolio advances the technology to the next amazing level. Version 1.0 took analogue resolutions from 420 TVL up to Hi-Def 1080p - by nothing more than plugging old wires into new cameras and DVRs! Fast-forward a few years to version 4.0, where Turbo products sent analogue signals up to 8 MP and began using the H.265 high-efficiency codec; what's more, Hikvision's signature H.265+ codec maintains 4K video while cutting bandwidth and storage requirements down by as much as 87%!







TURBO HD CAMERAS

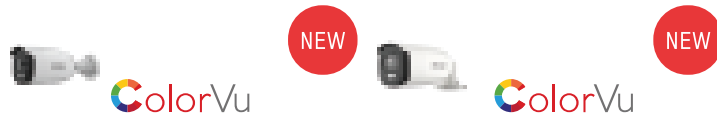
Our Turbo HD products are based on HDTVI technology, an open standard enabling different products and technologies to be integrated into a single system. The products also offer many of the cutting-edge technologies on IP cameras - like Ultra-low light technology and vandal-proof capabilities.

The products are split into two series to maximise application flexibility: the Professional Series, with resolutions of up to 8MP, come in multiple form factors to suit every need; while the Economic Series brings a range of cameras for lower budget solutions.

CHOOSING YOUR CAMERA

8MP	U8T	Ultra-low light
	U7T	Ultra-low light
	U1T	
5MP	H8T	Ultra-low light
	H0T	
1080P	D9T	Ultra-low light
	D8T	Ultra-low light
	DFT	ColorVu
	D0T	
720P	C0T	

	BOX CAMERA	VARI-FOCAL BULLET CAMERA	VARI-FOCAL DOME CAMERA	FIXED BULLET CAMERA	
				 	  
Short Description	HD1080P WDR Box Camera	HD1080P Ultra Low-Light PoC Bullet Camera	HD1080P Ultra Low-Light PoC Dome Camera	2 MP Full Time Color Bullet Camera	5 MP Full Time Color Camera
Model	DS-2CC12D9T-(A)	DS-2CC12D9T-AIT3ZE	DS-2CC52D9T-AVPIT3ZE	DS-2CE10DFT-F	DS-2CE10HFT-F
Image Sensor	2MP CMOS Image Sensor	2MP progressive scan CMOS	2MP progressive scan CMOS	2 MP CMOS image sensor	5 MP CMOS
Lens		2.8 mm-12 mm	2.8 mm-12 mm	3.6 mm, 6 mm fixed lens	3.6 mm, fixed lens
Day & Night	ICR	ICR	ICR	Color	Color
Operating Conditions	-30 °C – 60 °C (-22 °F – 140 °F), Humidity: 90% or less (non-condensing)	-40° C to 60° C (-40° F to 140° F), humidity: 90% or less (no condensation)	-40° C to 60° C (-40° F to 140° F), humidity: 90% or less (no condensation)	-40 °C to 60 °C (-40 °F to 140 °F), humidity: 90% or less (non-condensation)	-40 °C to 60 °C (-40 °F to 140 °F), humidity: 90% or less (non-condensation)
Power Supply	24V±15% AC, 12V±15% DC	24 VAC/12 VDC ±30%/PoC.at	24 VAC/12 VDC ±30%/PoC.at	12 VDC ±25%	12 VDC ±25%*You are recommended to use one power adapter to supply the power for one camera.
Power Consumption	Max. 6W	Max. 7.5 W	Max. 6 W	Max. 3 W	Max. 3.5 W
Protection Level		IP67	IP67	IP67	IP67
IR Range		Up to 40 m	Up to 40 m		-
Dimensions	69.2×57.3×148.7mm(2.7" × 2.3" × 5.85")	92 mm × 85.3 mm × 269.6 mm (3.62" × 3.36" × 10.61")	Φ 145.2 mm × 124.1 mm (7.1" × 4.9")	181.4 mm × 70 mm × 68 mm (7.14" × 2.75" × 2.68")	68 mm × 70 mm × 168.2 mm (2.68" × 2.76" × 6.62")
Weight	520 g	Approx. 700 g (1.54 lb.)	Approx. 2000 g (4.4 lb.)	Approx. 390 g (0.86 lb.)	Approx. 350 g (0.77 lb.)
Appearance	Box	Bullet	Outdoor Dome	Bullet	
Effective Pixels	1944(H)*1092(V)	1920 (H) * 1080 (V)	1920 (H) * 1080 (V)	1920 (H) × 1080 (V)	2560 (H) × 1944 (V)
Min. illumination	Color : 0.01 Lux @(F1.2,AGC ON); B/W : 0.001 Lux @(F1.2,AGC ON)	0.003 Lux@(F1.2, AGC ON), 0 Lux with IR	0.003 Lux@(F1.2, AGC ON), 0 Lux with IR	0.0005 Lux @ (F1.0, AGC ON), 0 Lux with white light	Color: 0.0005 Lux @ (F1.0, AGC ON), 0 Lux with White Light
Angle Adjustment		Pan: 0-360°, Tilt: 0-90°, Rotate: 0-360°	Pan: 0-355°, Tilt: 0-75°, Rotate: 0-355°	Pan: 0° to 360°; Tilt: 0° to 180°; Rotate: 0° to 360°	Pan: 0 to 360°, Tilt: 0 to 90°, Rotation: 0 to 360°
WDR	120dB	> 120 dB	> 120 dB	120 dB	≥130 dB
Video Frame Rate	1080p@25fps	1080p@25fps	1080p@25fps	PAL: 1080p@25fps NTSC: 1080p@30fps	TVI: 5MP@20fps, 4MP@30fps, 4MP@25fps, 1080p@30fps, 1080p@25fps CVI: 4MP@30fps, 4MP@25fps AHD: 5MP@20fps, 4MP@30fps, 4MP@25fps CVBS: PAL/NTSC
HD Video Output	1 Analog HD output	1 Analog HD output/1 CVBS output (75Ω/BNC)	1 Analog HD output	Switchable TVI/AHD/CVI/CVBS	Switchable TVI/AHD/CVI/CVBS
CVBS Output	1Vp-p Composite Output(75Ω/BNC)		/1 CVBS output (75Ω/BNC)		
Camera ID					



VARI-FOCAL BULLET CAMERA



FIXED BULLET CAMERA



VARI-FOCAL BULLET CAMERA



Short Description	2 MP PIR Siren Full Time Color Camera	5 MP Full Time Color Camera	2 MP Ultra-Low Light Bullet Camera	2 MP Ultra Low-Light PoC EXIR Bullet Camera	2 MP Ultra Low-Light PoC VF EXIR Bullet Camera
Model	DS-2CE12DFT-PIRX0F	DS-2CE12HFT-F	DS-2CE16D8T-(A)IT3ZF	DS-2CE16D8T-IT3/5E	DS-2CE16D8T-IT3ZE
Image Sensor	2 MP CMOS	5 MP CMOS	2.0 megapixel progressive scan CMOS	2 MP progressive scan CMOS	2MP progressive scan CMOS
Lens	3.6 mm, fixed lens	3.6 mm, fixed lens	2.7 mm to 13.5 mm motorized, auto focus	2.8mm	2.8 mm-12 mm
Day & Night	Color	Color	IR cut filter	IR cut filter	ICR
Operating Conditions	-40 °C to 60 °C (-40 °F to 140 °F), humidity: 90% or less (non-condensation)	-40 °C to 60 °C (-40 °F to 140 °F), humidity: 90% or less (non-condensation)	-40 °C – 60 °C (-40 °F – 140 °F), Humidity 90% or less (non-condensing)	-40 °C to 60 °C (-40 °F to 140 °F), humidity: 90% or less (non-condensation)	-40° C to 60° C (-40° F to 140° F), humidity: 90% or less (no condensation)
Power Supply	12 VDC ±25%*You are recommended to use one power adapter to supply the power for one camera.	12 VDC ±25%*You are recommended to use one power adapter to supply the power for one camera.	12 VDC ±25%, 24 VAC±25%	12 VDC±25%/PoC.af	12 VDC ±25%/PoC.at
Power Consumption	Max. 8.5 W	Max. 4.9 W	Max. 7.5W, -A: Max. 9W	Max. 4W	Max. 8.2 W
Protection Level	IP67	IP67	IP67	IP67	IP67
IR Range	-	-	Up to 60 m	Up to 20 m	Up to 40 m
Dimensions	77.1 mm × 82.6 mm × 208.9 mm (3.04" × 3.25" × 8.22")	82.6 mm × 77.1 mm × 215.7 mm (3.25" × 3.04" × 8.49")	85 mm × 92 mm × 269.6 mm (3.3" × 3.6" × 10.6")	86.7 mm × 81.6 mm × 226 mm (3.41" × 3.23" × 8.67")	92 mm × 89 mm × 269.6 mm (3.62" × 3.5" × 3.34")
Weight	Approx. 441 g (0.97 lb.)	Approx. 535 g (1.18 lb.)	Approx. 910 g (2.01 lb.), -A: Approx. 940 g (2.07 lb.)	Approx. 680 g (1.5 lb.)	Approx. 900 g (1.98 lb.)
Appearance				Bullet	Bullet
Effective Pixels	1920 (H) × 1080 (V)	2560 (H) × 1944 (V)	1920 (H) × 1080 (V)	1920 (H) × 1080 (V)	1920 (H)*1080 (V)
Min. illumination	Color: 0.0005 Lux @ (F1.0, AGC ON), 0 Lux with White Light	Color: 0.0005 Lux @ (F1.0, AGC ON), 0 Lux with White Light	Color: 0.003 Lux @ (F1.2, AGC ON), 0 Lux with IR	Color: 0.005 Lux @ (F2.0, AGC ON), 0 Lux with IR	0.005 Lux @ (F1.2 AGC ON), 0 Lux with IR
Angle Adjustment	Pan: 0 to 360°, Tilt: 0 to 90°, Rotation: 0 to 360°	Pan: 0 to 360°, Tilt: 0 to 90°, Rotation: 0 to 360°	Pan: 0° to 360°, Tilt: 0° to 90°, Rotate: 0° to 360°	Pan: 0-360°, Tilt:0-90°, Rotate: 0-360°	Pan: 0-360°, Tilt: 0-90°, Rotation: 0-360°
WDR	≥130 dB	≥130 dB	≥ 130 dB	> 120 dB	> 120 dB
Video Frame Rate	TVI: 1080p@30fps, 1080p@25fps AHD: 1080p@30fps, 1080p@25fps CVI: 1080p@30fps, 1080p@25fps CVBS: PAL/NTSC	TVI: 5MP@20fps, 4MP@30fps, 4MP@25fps, 1080p@30fps, 1080p@25fps CVI: 4MP@30fps, 4MP@25fps AHD: 5MP@20fps, 4MP@30fps, 4MP@25fps CVBS: PAL/NTSC	PAL: 1080p@25fps NTSC: 1080p@30fps	1080p@25fps	1080p@25fps
HD Video Output	Switchable TVI/AHD/CVI/CVBS	Switchable TVI/AHD/CVI/CVBS	Switchable TVI/AHD/CVI/CVBS	1 HD output	1 Analog HD output
CVBS Output					
Camera ID					

	FIXED BULLET CAMERA		VARI-FOCAL BULLET CAMERA	FIXED BULLET CAMERA	
Short Description	 2 MP Ultra Low-Light PoC EXIR Bullet Camera	 2 MP Ultra-Low Light Bullet Camera	 HD1080P WDR Motorized VF EXIR Bullet Camera	 5 MP Bullet Camera	 5 MP Bullet Camera
Model	DS-2CE16D8T-ITE	DS-2CE16D8T-ITF/3F/5F	DS-2CE16D9T-AIRAZH	DS-2CE16H8T-IT3F	DS-2CE16H8T-ITF
Image Sensor	2 MP progressive scan CMOS	2.0 megapixel progressive scan CMOS	2MP CMOS Image Sensor	5 megapixel progressive scan CMOS	5 megapixel progressive scan CMOS
Lens	2.8mm	3.6 mm, 6 mm, 8 mm, 12 mm fixed lens	5-50mm	2.8 mm, 3.6 mm, 6 mm, 8 mm, 12 mm fixed lens	2.8 mm, 3.6 mm, 6 mm fixed lens
Day & Night	IR cut filter	IR cut filter	ICR	IR cut filter	IR cut filter
Operating Conditions	-40 °C to 60 °C (-40 °F to 140 °F), humidity: 90% or less (non-condensation)	-40 °C – 60 °C (-40 °F – 140 °F), Humidity 90% or less (non-condensing)	-40 °C – 60 °C (-40 °F – 140 °F), Humidity 90% or less (non-condensing)	-40 °C – 60 °C (-40 °F – 140 °F), Humidity 90% or less (non-condensing)	-40 °C – 60 °C (-40 °F – 140 °F), Humidity 90% or less (non-condensing)
Power Supply	12 VDC±25%/PoC.af	12 VDC ±25%	AC24V±15% / DC12V±15%, Heater is available with 24VAC only	12 VDC ±25%	12 VDC ±25%
Power Consumption	Max. 4W	Max. 5.2 W	Max. 20W	Max. 5.8 W	Max. 5.8 W
Protection Level	IP67	IP67	IP66	IP67	IP67
IR Range	Up to 20 m	Up to 80 m	Up to 110m	Up to 60 m	Up to 30 m
Dimensions	58 mm × 61 mm × 163 mm (2.28" × 2.40" × 6.42")	81.6 mm × 86.7 mm × 226 mm (3.2" × 3.4" × 8.9")	313.5x100.8x107.3mm	81.9 mm × 86.7 mm × 217.9 mm (3.22" × 3.41" × 8.58")	58 mm × 61 mm × 158.6 mm (2.28" × 2.40" × 6.42")
Weight	Approx. 350 g (0.77 lb.)	Approx. 560 g (1.23 lb.)	1650g	Approx. 570 g (1.26 lb.)	Approx. 320 g (0.71 lb.)
Appearance	Bullet		Bullet		
Effective Pixels	1920 (H) × 1080 (V)	1920 (H) × 1080 (V)	1944(H)*1092(V)	2560 (H) × 1944 (V)	2560 (H) × 1944 (V)
Min. illumination	Color: 0.005 Lux @ (F2.0, AGC ON), 0 Lux with IR	Color: 0.003 Lux @ (F1.2, AGC ON), 0 Lux with IR	0.01Lux @ (F1.2,AGC ON),0 Lux with IR	Color: 0.003 Lux@(F1.2, AGC ON), 0 Lux with IR	Color: 0.003 Lux@(F1.2, AGC ON), 0 Lux with IR
Angle Adjustment	Pan: 0-360°, Tilt:0-90°, Rotate: 0-360°	Pan: 0° to 360°, Tilt: 0° to 180, Rotate: 0° to 360°	Pan: 0° - 360°; Tilt:0° - 90°; Rotate: 0° - 360°	Pan: 0° to 360°; Tilt: 0° to 75°; Rotate: 0° to 360°	Pan: 0° to 360°; Tilt: 0° to 75°; Rotate: 0° to 360°
WDR	> 120 dB	≥ 130 dB	120dB	≥ 130 dB	≥ 130 dB
Video Frame Rate	1080p@25fps	PAL: 1080p@25fps NTSC: 1080p@30fps	1080p@25fps	TVI: 2 MP@25fps, 2 MP@30fps, 4 MP@25fps, 4 MP@30fps, 5 MP@20fps AHD: 4 MP@25fps, 4 MP@30fps, 5 MP@20fps CVI: 4 MP@25fps, 4 MP@30fps CVBS: PAL, NTSC	TVI: 2 MP@25fps, 2 MP@30fps, 4 MP@25fps, 4 MP@30fps, 5 MP@20fps AHD: 4 MP@25fps, 4 MP@30fps, 5 MP@20fps CVI: 4 MP@25fps, 4 MP@30fps CVBS: PAL, NTSC
HD Video Output	1 HD output	Switchable TVI/AHD/CVI/CVBS	1 Analog HD output	Switchable TVI/AHD/CVI/CVBS	Switchable TVI/AHD/CVI/CVBS
CVBS Output					
Camera ID					



NEW








NEW






VARI-FOCAL BULLET CAMERA



VARI-FOCAL DOME CAMERA

Short Description	Turbo HD 4K Bullet Camera	Turbo HD 4K Bullet Camera	5 MP Bullet Camera	8 MP Bullet Camera	2 MP Ultra-Low Light Dome Camera
Model	DS-2CE16U1T-IT3F	DS-2CE16U1T-ITF	DS-2CE19H8T-(A)IT3ZF	DS-2CE19U7T-AIT3ZF	DS-2CE56D8T-(A)VPIT3ZF
Image Sensor	8.29 megapixel progressive scan CMOS	8.29 megapixel progressive scan CMOS	5 megapixel progressive scan CMOS	8.29 megapixel progressive scan CMOS	2.0 megapixel progressive scan CMOS
Lens	2.8 mm, fixed lens	2.8 mm, fixed lens	2.7 mm to 13.5 mm motorized vari-focal lens	2.7 mm to 13.5 mm motorized vari-focal lens	2.7 mm to 13.5 mm motorized, auto focus
Day & Night	IR cut filter	IR cut filter	IR cut filter	IR cut filter	IR cut filter
Operating Conditions	-40 °C to 60 °C (-40 °F to 140 °F), humidity: 90% or less (non-condensation)	-40 °C to 60 °C (-40 °F to 140 °F), humidity: 90% or less (non-condensation)	-40 °C – 60 °C (-40 °F – 140 °F), Humidity 90% or less (non-condensing)	-40 °C – 60 °C (-40 °F – 140 °F), Humidity 90% or less (non-condensing)	-40 °C – 60 °C (-40 °F – 140 °F), Humidity 90% or less (non-condensing)
Power Supply	12 VDC ±25%*You are recommended to use one power adapter to supply the power for one camera.	12 VDC ±25%*You are recommended to use one power adapter to supply the power for one camera.	-A: 9.6 VDC to 14.4 VDC; 19.2 VAC to 28.8 VAC	9.6 VDC to 14.4 VDC; 19.2 VAC to 28.8 VAC	12 VDC ±25%, 24 VAC±25%
Power Consumption	Max. 5.3 W	Max. 5.3 W	-A: Max. 10.5 W	Max. 11.8 W	Max. 5.8W, -A: Max. 7.5W
Protection Level	IP67	IP67	IP67	IP67	IK10
IR Range	Up to 60 m	Up to 30 m	Up to 80 m	Up to 80 m	Up to 60 m
Dimensions	81.9 mm × 86.7 mm × 217.9 mm (3.22" × 3.41" × 8.58")	81.9 mm × 86.7 mm × 217.9 mm (3.22" × 3.41" × 8.58")	84.5 mm × 92 mm × 255.1 mm (3.33" × 3.62" × 10")	84.5 mm × 92 mm × 255.1 mm (3.33" × 3.62" × 10")	Φ 145.2 mm × 124.1 mm (Φ 7.1" × 4.9")
Weight	Approx.435 g (0.96 lb.)	Approx.435 g (0.96 lb.)	Approx. 930 g (2.05 lb.)	Approx. 925 g (2.04 lb.)	Approx. 610 g (1.34 lb.), -A: Approx. 640 g (1.41 lb.)
Appearance					
Effective Pixels	3840 (H) × 2160 (V)	3840 (H) × 2160 (V)	2560 (H) × 1944 (V)	3840 (H) × 2160 (V)	1920 (H) × 1080 (V)
Min. illumination	Color: 0.01 Lux@(F1.2, AGC ON), 0 Lux with IR	Color: 0.01 Lux@(F1.2, AGC ON), 0 Lux with IR	Color: 0.003 Lux@(F1.2, AGC ON), 0 Lux with IR	Color: 0.003 Lux@(F1.2, AGC ON), 0 Lux with IR	Color: 0.003 Lux @ (F1.2, AGC ON), 0 Lux with IR
Angle Adjustment	Pan: 0° to 360°, Tilt:0° to 180°, Rotate: 0° to 360°	Pan: 0° to 360°, Tilt:0° to 180°, Rotate: 0° to 360°	Pan: 0° to 360°; Tilt: 0° to 75°; Rotate: 0° to 360°	Pan: 0° to 360°; Tilt: 0° to 90°; Rotate: 0° to 360°	Pan: 0° to 355°, Tilt: 0° to 75°, Rotate: 0° to 355°
WDR	105 dB	105 dB	≥ 130 dB	≥ 130 dB	≥ 130 dB
Video Frame Rate	TVI: 8MP@12.5fps, 8MP@15fps, 5MP@20fps, 4MP@25fps, 4MP@30fps, 2MP@25fps, 2MP@30fps CVI: 8MP@12.5fps, 8MP@15fpsAHD: 8M@12.5fps, 8M@15fpsCVBS: 960H P/N	TVI: 8MP@12.5fps, 8MP@15fps, 5MP@20fps, 4MP@25fps, 4MP@30fps, 2MP@25fps, 2MP@30fps CVI: 8MP@12.5fps, 8MP@15fpsAHD: 8M@12.5fps, 8M@15fpsCVBS: 960H P/N	TVI: 2 MP@25fps, 2 MP@30fps, 4 MP@25fps, 4 MP@30fps, 5 MP@20fps AHD: 4 MP@25fps, 4 MP@30fps, 5 MP@20fps CVI: 4 MP@25fps, 4 MP@30fps CVBS: PAL, NTSC	TVI: 8MP@12.5fps, 8MP@15fps, 5MP@20fps, 4MP@25fps, 4MP@30fps, 2MP@25fps, 2MP@30fps CVI: 8MP@12.5fps, 8MP@15fps AHD: 8MP@12.5fps, 8MP@15fps CVBS: 960H P/N	PAL: 1080p@25fps NTSC: 1080p@30fps
HD Video Output	Switchable TVI/AHD/CVI/CVBS	Switchable TVI/AHD/CVI/CVBS	Switchable TVI/AHD/CVI/CVBS	Switchable TVI/AHD/CVI/CVBS	Switchable TVI/AHD/CVI/CVBS
CVBS Output					
Camera ID					

	FIXED TURRET CAMERA		VARI-FOCAL TURRET CAMERA		FIXED TURRET CAMERA
					
Short Description	2 MP Ultra-Low Light EXIR Turret Camera	2 MP Ultra Low-Light PoC EXIR Turret Camera	2 MP Ultra-Low Light VF PoC Turret Camera	2 MP Ultra-Low Light Turret Camera	2 MP Ultra-Low Light PoC Turret Camera
Model	DS-2CE56D8T-IT1F/3F	DS-2CE56D8T-IT3E	DS-2CE56D8T-IT3ZE	DS-2CE56D8T-IT3ZF	DS-2CE56D8T-ITME
Image Sensor	2.0 megapixel progressive scan CMOS	2 MP progressive scan CMOS	2.0 megapixel progressive scan CMOS	2.0 megapixel progressive scan CMOS	2MP CMOS Image Sensor
Lens	2.8 mm, 3.6 mm, 6 mm, 8 mm, 12 mm fixed focal lens	2.8mm	2.8 mm to 12 mm motorized vari-focal lens	2.7 mm to 13.5 mm motorized, auto focus	2.8mm
Day & Night	IR cut filter	IR cut filter	IR cut filter	IR cut filter	ICR
Operating Conditions	-40 °C – 60 °C (-40 °F – 140 °F), Humidity 90% or less (non-condensing)	-40 °C to 60 °C (-40 °F to 140 °F), humidity: 90% or less (non-condensation)	-40 °C – 60 °C (-40 °F – 140 °F), Humidity 90% or less (non-condensing)	-40 °C – 60 °C (-40 °F – 140 °F), Humidity 90% or less (non-condensing)	-40 °C – 60 °C (-40 °F – 140 °F), Humidity 90% or less (non-condensing)
Power Supply	12 VDC ±25%	12 VDC±25%/PoC.af	12 VDC ±25%/PoC.at	12 VDC ±25%	12 V DC ±25%/PoC.af
Power Consumption	Max. 3.4 W	Max. 4W	Max. 7.5 W	Max. 7.5W	Max. 3.6 W
Protection Level	IP67	IP67	IP67	IP67	IP67
IR Range	Up to 60 m	Up to 40 m	Up to 40 m	Up to 60 m	Up to 20 m
Dimensions	∅ 110 mm × 93.2 mm (Φ 4.33" × 3.67")	Φ 110 mm × 93.2 mm (Φ 4.33" × 3.67")	134.3 mm × 123.9 mm × 111.4 mm (5.29" × 4.88" × 4.39")	Φ 134.3 mm × 111.35 mm (Φ 5.29" × 4.38")	91 mm × 82.6 mm × 68.3 mm (3.58" × 3.25" × 2.69")
Weight	Approx. 315 g (0.69 lb.)	350 g (0.77 lb.)	Approx. 750 g (1.57 lb.)	Approx. 605 g (1.33 lb.)	Approx. 350 g (0.77 lb.)
Appearance		Turret	Turret		Turret
Effective Pixels	1920 (H) × 1080 (V)	1920 (H) × 1080 (V)	1920 (H) × 1080 (V)	1920 (H) × 1080 (V)	1920 (H) × 1080 (V)
Min. illumination	Color: 0.003 Lux @ (F1.2, AGC ON), 0 Lux with IR	Color: 0.005 Lux @ (F2.0, AGC ON), 0 Lux with IR	Color: 0.005 Lux @ (F1.2, AGC ON), 0 Lux with IR	Color: 0.003 Lux @ (F1.2, AGC ON), 0 Lux with IR	0.01 Lux @ (F1.2, AGC ON), 0 Lux with IR
Angle Adjustment	Pan: 0° to 360°, Tilt: 0° to 75°, Rotate: 0° to 360°	Pan: 0-360°, Tilt:0-90°, Rotate: 0-360°	Pan: 0° to 360°; Tilt: 0° to 90°; Rotate: 0° to 360°	Pan: 0° to 360°, Tilt: 0° to 75°, Rotate: 0° to 360°	Pan: 0-360°, Tilt:0-75°, Rotate: 0-360°
WDR	≥ 130 dB	> 120 dB	> 120 dB	≥ 130 dB	120dB
Video Frame Rate	PAL: 1080p@25fps NTSC: 1080p@30fps	1080p@25fps	PAL: 1080p@25fps NTSC: 1080p@30fps	PAL: 1080p@25fps NTSC: 1080p@30fps	1080p@25fps
HD Video Output	Switchable TVI/AHD/CVI/CVBS	1 HD output	1 HD analog output	Switchable TVI/AHD/CVI/CVBS	1 Analog HD output
CVBS Output					
Camera ID					

		VARI-FOCAL DOME CAMERA 	FIXED DOME CAMERA 	VARI-FOCAL DOME CAMERA  NEW	
Short Description	2 MP Ultra-Low Light EXIR Turret Camera	2 MP Ultra-Low Light VF Dome Camera	2 MP Ultra-Low Light Dome Camera	5 MP Ultra-Low Light Camera	8 MP Dome Camera
Model	DS-2CE56D8T-ITMF	DS-2CE56D8T-VPIT3ZE	DS-2CE56D8T-VPITF	DS-2CE59H8T-AVPIT3ZF	DS-2CE59U7T-AVPIT3ZF
Image Sensor	2.0 megapixel progressive scan CMOS	2MP progressive scan CMOS	2.0 megapixel progressive scan CMOS	5 MP CMOS	8.29 megapixel progressive scan CMOS
Lens	2.8 mm, 3.6 mm, 6 mm fixed focal lens	2.8-12mm	2.8 mm, 3.6 mm, 6 mm fixed focal lens	2.7 mm to 13.5 mm motorized varifocal lens	2.7 mm to 13.5 mm motorized vari-focal lens
Day & Night	IR cut filter	ICR	IR cut filter	IR cut filter	IR cut filter
Operating Conditions	-40 °C – 60 °C (-40 °F – 140 °F), Humidity 90% or less (non-condensing)	-40 °C to 60 °C (-40 °F to 140 °F), humidity: 90% or less (non-condensation)	-40 °C – 60 °C (-40 °F – 140 °F), Humidity 90% or less (non-condensing)	-40 °C to 60 °C (-40 °F to 140 °F), humidity: 90% or less (non-condensation)	-40 °C – 60 °C (-40 °F – 140 °F), Humidity 90% or less (non-condensing)
Power Supply	12 VDC ±25%	12 VDC ±25%/PoC.at	12 VDC ±25%	9.6 VDC to 14.4 VDC; 19.2 VAC to 28.8 VAC	9.6 VDC to 14.4 VDC; 19.2 VAC to 28.8 VAC
Power Consumption	Max. 3.4 W	Max. 7 W	Max. 3.4 W	Max. 8 W	Max. 8.9 W
Protection Level	IP67	IP67, IK10	IP67, IK10	IP67, IK10	IP67, IK10
IR Range	Up to 30 m	Up to 40 m	Up to 30 m	60 m	Up to 60 m
Dimensions	89.47 mm × 68.2 mm (3.52" × 2.68")	Φ 145.2 mm × 124.1 mm (Φ 5.72" × 4.89")	Ø 111 mm × 82.4 mm (Ø 4.4" × 3.2")	Φ 145.2 mm × 124.1 mm (Φ 7.1" × 4.9")	Ø 145.2 mm × 124.1 mm (Ø 7.1" × 4.9")
Weight	Approx. 238 g (0.52 lb.)	Approx. 1600 g (3.53 lb.)	Approx. 492 g (1.08 lb.)	Approx. 640 g (1.41 lb.)	Approx. 640 g (1.41 lb.)
Appearance					
Effective Pixels	1920 (H) × 1080 (V)	1920 (H) × 1080 (V)	1920 (H) × 1080 (V)	2560 (H) × 1944 (V)	3840 (H) × 2160 (V)
Min. illumination	Color: 0.003 Lux @ (F1.2, AGC ON), 0 Lux with IR	Color: 0.005 Lux @ (F1.2, AGC ON), 0 Lux with IR	Color: 0.003 Lux @ (F1.2, AGC ON), 0 Lux with IR	Color: 0.003 Lux@(F1.2, AGC ON), 0 Lux with IR	Color: 0.003 Lux@(F1.2, AGC ON), 0 Lux with IR
Angle Adjustment	Pan: 0° to 360°, Tilt: 0° to 75°, Rotate: 0° to 360°	Pan: 0-340°, Tilt:0-75°, Rotate: 0-355°	Pan: 0° to 355°, Tilt:0° to 75°, Rotate: 0° to 355°	Pan: 0° to 355°; Tilt: 0° to 75°; Rotate: 0° to 355°	Pan: 0° to 355°; Tilt: 0° to 75°; Rotate: 0° to 355°
WDR	≥ 130 dB	> 120 dB	≥ 130 dB	≥130 dB	≥ 130 dB
Video Frame Rate	PAL: 1080p@25fps NTSC: 1080p@30fps	1080p@25fps	PAL: 1080p@25fps NTSC: 1080p@30fps	TVI: 2 MP@25fps, 2 MP@30fps, 4 MP@25fps, 4 MP@30fps, 5 MP@20fps AHD: 4 MP@25fps, 4 MP@30fps, 5 MP@20fps CVI: 4 MP@25fps, 4 MP@30fps CVBS: PAL, NTSC	TVI: 8MP@12.5fps, 8MP@15fps, 5MP@20fps, 4MP@25fps, 4MP@30fps, 2MP@25fps, 2MP@30fps CVI: 8MP@12.5fps, 8MP@15fps AHD: 8MP@12.5fps, 8MP@15fps CVBS: 960H P/N
HD Video Output	Switchable TVI/AHD/CVI/CVBS	1 Analog HD output	Switchable TVI/AHD/CVI/CVBS	Switchable TVI/AHD/CVI/CVBS	Switchable TVI/AHD/CVI/CVBS
CVBS Output					
Camera ID					

FIXED TURRET CAMERA



ColorVu

Short Description	2 MP Ultra-Low Light VF PoC Dome Camera	2 MP Ultra-Low Light Dome Camera	5 MP Dome Camera	8 MP Dome Camera	2 MP PIR Siren Full Time Color Camera
Model	DS-2CE5AD8T-VPIT3ZE	DS-2CE5AD8T-VPIT3ZF	DS-2CE5AH8T-(A)VPIT3ZF	DS-2CE5AU7T-AVPIT3ZF	DS-2CE72DFT-PIRX0F
Image Sensor	2.0 megapixel progressive scan CMOS	2.0 megapixel progressive scan CMOS	5 megapixel progressive scan CMOS	8.29 megapixel progressive scan CMOS	2 MP CMOS
Lens	2.8 mm to 12 mm motorized vari-focal lens	2.7 mm to 13.5 mm motorized, auto focus	2.7 mm to 13.5 mm motorized vari-focal lens	2.7 mm to 13.5 mm motorized vari-focal lens	3.6 mm, fixed lens
Day & Night	IR cut filter	IR cut filter	ICR	IR cut filter	Color
Operating Conditions	-40 °C – 60 °C (-40 °F – 140 °F), Humidity 90% or less (non-condensing)	-40 °C – 60 °C (-40 °F – 140 °F), Humidity 90% or less (non-condensing)	-40 °C to 60 °C (-40 °F to 140 °F), humidity: 90% or less (non-condensation)	-40 °C – 60 °C (-40 °F – 140 °F), Humidity 90% or less (non-condensing)	-40 °C to 60 °C (-40 °F to 140 °F), humidity: 90% or less (non-condensation)
Power Supply	12 VDC ±25%/PoC.af	12 VDC ±25%, 24 VAC±25%	9 VDC to 15 VDC -A: 9.6 VDC to 14.4 VDC; 19.2 VAC to 28.8 VAC	9.6 VDC to 14.4 VDC; 19.2 VAC to 28.8 VAC	12 VDC ±25%*You are recommended to use one power adapter to supply the power for one camera.
Power Consumption	Max. 6.7 W	Max. 5.8W, -A: Max. 7.5W	Max. 5.7 W, -A: Max. 8 W	Max. 8.9 W	Max. 6.6 W
Protection Level	IP67, IK10	IK10	IP67, IK10	IP67, IK10	IP67
IR Range	Up to 40 m	Up to 60 m	Up to 60 m	Up to 60 m	-
Dimensions	Φ 145 mm × 111.3 mm (Φ 5.69" × 4.37")	Φ 145 mm × 111.3 mm (Φ 5.69" × 4.37")	Ø 145 mm × 111.3 mm (Ø 5.70" × 4.37")	Ø 145 mm × 111.3 mm (Ø 5.69" × 4.37")	Φ 109.82 mm × 93.66 mm (Φ 4.32" × 3.7")
Weight	Approx. 890 g (1.96 lb.)	Approx. 830 g (1.83 lb.), -A: Approx. 860 g (1.90 lb.)	Approx. 860 g (1.90 lb.) -A: Approx. 830 g (1.83 lb.)	Approx. 860 g (1.90lb.)	Approx. 390 g (0.86 lb.)
Appearance					
Effective Pixels	1920 (H) × 1080 (V)	1920 (H) × 1080 (V)	2560 (H) × 1944 (V)	3840 (H) × 2160 (V)	1920 (H) × 1080 (V)
Min. illumination	Color: 0.005 Lux @ (F1.2, AGC ON), 0 Lux with IR	Color: 0.003 Lux @ (F1.2, AGC ON), 0 Lux with IR	0.003 Lux @ (F1.2, AGC ON), 0 Lux with IR	Color: 0.003 Lux@(F1.2, AGC ON), 0 Lux with IR	Color: 0.0005 Lux @ (F1.0, AGC ON), 0 Lux with White Light
Angle Adjustment	Pan: 0° to 340°, Tilt: 0° to 75°, Rotate: 0° to 355°	Pan: 0° to 355°, Tilt: 0° to 75°, Rotate: 0° to 355°	Pan: 0° to 355°; Tilt: 0° to 75°; Rotate: 0° to 355°	Pan: 0° to 355°; Tilt: 0° to 75°; Rotate: 0° to 355°	Pan: 0 to 360°, Tilt: 0 to 75°, Rotation: 0 to 360°
WDR	> 120 dB	≥ 130 dB	≥ 130 dB	≥ 130 dB	≥130 dB
Video Frame Rate	PAL: 1080p@25fps NTSC: 1080p@30fps	PAL: 1080p@25fps NTSC: 1080p@30fps	TVI: 2 MP@25fps, 2 MP@30fps, 4 MP@25fps, 4 MP@30fps, 5 MP@20fps AHD: 4 MP@25fps, 4 MP@30fps, 5 MP@20fps CVI: 4 MP@25fps, 4 MP@30fps CVBS: PAL, NTSC	TVI: 8MP@12.5fps, 8MP@15fps, 5MP@20fps, 4MP@25fps, 4MP@30fps, 2MP@25fps, 2MP@30fps CVI: 8MP@12.5fps, 8MP@15fps AHD: 8MP@12.5fps, 8MP@15fps CVBS: 960H P/N	TVI: 1080p@30fps, 1080p@25fps AHD: 1080p@30fps, 1080p@25fps CVI: 1080p@30fps, 1080p@25fps CVBS: PAL/NTSC
HD Video Output	1 HD analog output	Switchable TVI/AHD/CVI/CVBS	Switchable TVI/AHD/CVI/CVBS	Switchable TVI/AHD/CVI/CVBS	Switchable TVI/AHD/CVI/CVBS
CVBS Output					
Camera ID					



NEW



NEW



NEW

Short Description	5 MP Full Time Color Camera	5 MP Turret Camera	Turbo HD 4K Turret Camera	5 MP Turret Camera	Turbo HD 4K Turret Camera
Model	DS-2CE72HFT-F	DS-2CE76H8T-ITMF	DS-2CE76U1T-ITMF	DS-2CE78H8T-IT3F	DS-2CE78U1T-IT3F
Image Sensor	5 MP CMOS	5 megapixel progressive scan CMOS	8.29 megapixel progressive scan CMOS	5 megapixel progressive scan CMOS	8.29 megapixel progressive scan CMOS
Lens	3.6 mm, fixed lens	2.8 mm, 3.6 mm, 6 mm fixed lens	2.8 mm, fixed lens	2.8 mm, 3.6 mm, 6 mm, 8 mm, 12 mm fixed lens	2.8 mm, fixed lens
Day & Night	Color	IR cut filter	IR cut filter	IR cut filter	IR cut filter
Operating Conditions	-40 °C to 60 °C (-40 °F to 140 °F), humidity: 90% or less (non-condensation)	-40 °C – 60 °C (-40 °F – 140 °F), Humidity 90% or less (non-condensing)	-40 °C to 60 °C (-40 °F to 140 °F), humidity: 90% or less (non-condensation)	-40 °C – 60 °C (-40 °F – 140 °F), Humidity 90% or less (non-condensing)	-40 °C to 60 °C (-40 °F to 140 °F), humidity: 90% or less (non-condensation)
Power Supply	12 VDC ±25% *You are recommended to use one power adapter to supply the power for one camera.	12 VDC ±25%	12 VDC ±25% *You are recommended to use one power adapter to supply the power for one camera.	12 VDC ±25%	12 VDC ±25% *You are recommended to use one power adapter to supply the power for one camera.
Power Consumption	Max. 3.5 W	Max. 5.8 W	Max. 5.3 W	Max. 5.8 W	Max. 5.3 W
Protection Level	IP67	IP67	IP67	IP67	IP67
IR Range	-	Up to 30 m	Up to 30 m	Up to 60 m	Up to 60 m
Dimensions	Φ 109.82 mm × 85.56 mm (4.32" × 3.37")	90 mm × 79.37 mm (3.54" × 3.12")	90 mm × 79.37 mm (3.54" × 3.12")	Ø 109.82 mm × 91.03 mm (Ø 4.32" × 3.6")	Ø 109.82 mm × 91.03 mm (Ø 4.32" × 3.6")
Weight	Approx. 350 g (0.77 lb.)	Approx. 300 g (0.66 lb.)	Approx. 310 g (0.68 lb.)	Approx. 310 g (0.68 lb.)	Approx. 320 g (0.71 lb.)
Appearance					
Effective Pixels	2560 (H) × 1944 (V)	2560 (H) × 1944 (V)	3840 (H) × 2160 (V)	2560 (H) × 1944 (V)	3840 (H) × 2160 (V)
Min. illumination	Color: 0.0005 Lux @ (F1.0, AGC ON), 0 Lux with White Light	Color: 0.003 Lux@(F1.2, AGC ON), 0 Lux with IR	Color: 0.01 Lux@(F1.2, AGC ON), 0 Lux with IR	Color: 0.003 Lux@(F1.2, AGC ON), 0 Lux with IR	Color: 0.01 Lux@(F1.2, AGC ON), 0 Lux with IR
Angle Adjustment	Pan: 0 to 360°, Tilt: 0 to 75°, Rotation: 0 to 360°	Pan: 0° to 360°; Tilt: 0° to 75°; Rotate: 0° to 360°	Pan: 0° to 360°, Tilt: 0° to 180°, Rotate: 0° to 360°	Pan: 0° to 360°; Tilt: 0° to 75°; Rotate: 0° to 360°	Pan: 0° to 360°, Tilt: 0° to 180°, Rotate: 0° to 360°
WDR	≥130 dB	≥ 130 dB	105 dB	≥ 130 dB	105 dB
Video Frame Rate	TVI: 5MP@20fps, 4MP@30fps, 4MP@25fps, 1080p@30fps, 1080p@25fps CVI: 4MP@30fps, 4MP@25fps AHD: 5MP@20fps, 4MP@30fps, 4MP@25fps CVBS: PAL/NTSC	TVI: 2 MP@25fps, 2 MP@30fps, 4 MP@25fps, 4 MP@30fps, 5 MP@20fps AHD: 4 MP@25fps, 4 MP@30fps, 5 MP@20fps CVI: 4 MP@25fps, 4 MP@30fps CVBS: PAL, NTSC	TVI: 8MP@12.5fps, 8MP@15fps, 5MP@20fps, 4MP@25fps, 4MP@30fps, 2MP@25fps, 2MP@30fpsCVI: 8MP@12.5fps, 8MP@15fpsAHD: 8M@12.5fps, 8M@15fpsCVBS: 960H P/N	TVI: 2 MP@25fps, 2 MP@30fps, 4 MP@25fps, 4 MP@30fps, 5 MP@20fps AHD: 4 MP@25fps, 4 MP@30fps, 5 MP@20fps CVI: 4 MP@25fps, 4 MP@30fps CVBS: PAL, NTSC	TVI: 8MP@12.5fps, 8MP@15fps, 5MP@20fps, 4MP@25fps, 4MP@30fps, 2MP@25fps, 2MP@30fpsCVI: 8MP@12.5fps, 8MP@15fpsAHD: 8M@12.5fps, 8M@15fpsCVBS: 960H P/N
HD Video Output	Switchable TVI/AHD/CVI/CVBS	Switchable TVI/AHD/CVI/CVBS	Switchable TVI/AHD/CVI/CVBS	Switchable TVI/AHD/CVI/CVBS	Switchable TVI/AHD/CVI/CVBS
CVBS Output					
Camera ID					

VARI-FOCAL TURRET CAMERA



PINHOLE CAMERA



Short Description	5 MP Turret Camera	2 MP WDR Covert Camera
Model	DS-2CE79H8T-AIT3ZF	DS-2CSS4D8T-PH
Image Sensor	5 MP CMOS	2 MP progressive scan CMOS
Lens	2.7 mm to 13.5 mm motorized vari-focal lens	3.7 mm
Day & Night	ICR	Electronic
Operating Conditions	-40 °C to 60 °C (-40 °F to 140 °F), humidity: 90% or less (non-condensation)	-40° C to 60° C (-40° F to 140° F), Humidity 90% or less (no condensation)
Power Supply	12 VDC ± 20%, 24 VAC ± 20%	12 VDC ±20%
Power Consumption	Max. 10.5 W	Max. 1.5 W
Protection Level	IP67	
IR Range	Up to 60 m	
Dimensions	123.86 mm × 134.3 mm × 110.24 mm (4.88" × 5.29" × 4.34")	32.4 mm × 32.4 mm × 22.0 mm (1.28" × 1.28" × 0.87")
Weight	Approx. 630 g (1.39 lb.)	Approx. 200 g (0.44 lb.)
Appearance	Turret	
Effective Pixels	2560 (H) × 1944 (V)	1920 (H) × 1080 (V)
Min. illumination	0.003 Lux @ (F1.2, AGC ON), 0 Lux with IR	0.005 Lux @ (F1.2, AGC ON), 0 Lux with IR
Angle Adjustment	Pan: 0° to 360°; Tilt: 0° to 75°; Rotate: 0° to 360°	
WDR	≥ 130 dB	> 120 dB
Video Frame Rate	TVI: 2 MP@25fps, 2 MP@30fps, 4 MP@25fps, 4 MP@30fps, 5 MP@20fps AHD: 4 MP@25fps, 4 MP@30fps, 5 MP@20fps CVI: 4 MP@25fps, 4 MP@30fps CVBS: PAL, NTSC	1920×1080@25fps
HD Video Output	Switchable TVI/AHD/CVI/CVBS	1 Analog HD output
CVBS Output		
Camera ID		

FIXED BULLET CAMERA



VARI-FOCAL BULLET CAMERA



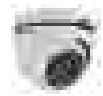
Short Description	2 MP Balun Camera	HD1080P IR Bullet Camera	HD1080P EXIR Bullet Camera	2 MP IR Bullet Camera	5 MP Bullet Camera
Model	DS-2CE16D0T-I2FB	DS-2CE16D0T-IRF	DS-2CE16D0T-IT3/5F	DS-2CE16D0T-VFIR3F	DS-2CE16HOT-(A)IT3ZF
Image Sensor	2 MP CMOS	2MP CMOS Image Sensor	2MP CMOS Image Sensor	2MP CMOS Image Sensor	5 MP CMOS image sensor
Lens	2.8 mm, 3.6 mm, 6 mm fixed lens	2.8mm	3.6mm	2.8 mm-12 mm	2.7 mm to 13.5 mm motorized vari-focal lens
Day & Night	IR cut filter	ICR	ICR	ICR	IR cut filter
Operating Conditions	-40 °C to 60 °C (-40 °F to 140 °F), humidity: 90% or less (non-condensation)	-40 °C – 60 °C (-40 °F – 140 °F), Humidity 90% or less (non-condensing)	-40 °C – 60 °C (-40 °F – 140 °F), Humidity 90% or less (non-condensing)	-40 °C to 60 °C (-40 °F to 140 °F), humidity: 90% or less (non-condensation)	-40 °C – 60 °C (-40 °F – 140 °F), Humidity 90% or less (non-condensing)
Power Supply	12 VDC ± 25%	12 VDC±15%	12 VDC±15%	12 V DC±15%	12 VDC ±15%, 24 VAC ±15%
Power Consumption	Max. 2.5 W	Max. 4W	Max. 6W	Max. 4 W	Max. 8.9 W
Protection Level	IP66	IP66	IP66	IP66	IP67
IR Range	20 m	Up to 20m	Up to 80m	Up to 40 m	Up to 40 m
Dimensions	Φ 70 mm × 153.6 mm × 60.4 mm (Φ 2.76" × 6.05" × 2.38")	Φ70×149.5mm (Φ2.76"×5.89")	86.22×82.05×220.13mm(3.39"×3.23"×8.67")	92mm×84.8mm×269.6mm (3.62"×3.34"×3.34")	84.5 mm × 92 mm × 255.1 mm (3.33" × 3.62" × 10")
Weight	Approx. 310 g (0.68 lb.)	400g	430 g (0.95 lbs)	Approx. 900g (1.98lb)	Approx. 705 g (1.55 lb.)
Appearance		Bullet	Bullet	Bullet	Bullet
Effective Pixels	1920 (H) × 1080 (V)	1920(H)*1080(V)	1920(H)*1080(V)	1920(H)*1080(V)	2560 (H) × 1944 (V)
Min. illumination	Color: 0.01 Lux@(F1.2, AGC ON), 0 Lux with IR	0.01 Lux @ (F1.2,AGC ON),0 Lux with IR	0.01 Lux @ (F1.2,AGC ON),0 Lux with IR	0.01 Lux@(F1.2,AGC ON),0 Lux with IR	Color: 0.01 Lux @ (F1.2, AGC ON), 0 Lux with IR
Angle Adjustment	Pan: 0° to 360°, Tilt: 0° to 180°, Rotate: 0° to 360°	Pan: 0 - 360°, Tilt: 0 - 180°, Rotation: 0 - 360°	Pan: 0 - 360°, Tilt: 0 - 180°, Rotation: 0 - 360°	Pan: 0-360°, Tilt: 0-90°, Rotation: 0-360°	Pan: 0° to 360°; Tilt: 0° to 90°; Rotate: 0° to 360°
WDR	Digital WDR				Digital WDR
Video Frame Rate	PAL: 1080p@25fps NTSC: 1080p@30fps	1080p@25fps	1080p@25fps	1080p@25fps	PAL: 5 MP@20fps, 4 MP@25fps, 1080p@25fps NTSC: 5 MP@20fps, 4 MP@30fps, 1080p@30fps
HD Video Output	Switchable TVI/AHD/CVI/CVBS	Switchable TVI/AHD/CVI/CVBS	Switchable TVI/AHD/CVI/CVBS	Switchable TVI/AHD/CVI/CVBS	Switchable TVI/AHD/CVI/CVBS
CVBS Output					
Camera ID					

FIXED BULLET CAMERA

FIXED TURRET CAMERA



Short Description	5 MP Bullet Camera	5 MP Bullet Camera	Turbo HD 5MP PoC Turret Camera	5 MP Bullet Camera	2 MP Balun Camera
Model	DS-2CE16H0T-IT3F	DS-2CE16H0T-IT5F	DS-2CE16H0T-ITE	DS-2CE16H0T-ITF	DS-2CE56D0T-I2FB
Image Sensor	5 MP CMOS image sensor	5 MP CMOS image sensor	5 MP CMOS image sensor	5 MP CMOS image sensor	2 MP CMOS
Lens	2.8 mm	3.6 mm, 6 mm, 8 mm, 12 mm fixed lens	2.8 mm, fixed lens	2.8 mm	2.8 mm, 3.6 mm, 6 mm fixed lens
Day & Night	ICR	IR cut filter	IR cut filter	ICR	IR cut filter
Operating Conditions	-40 °C – 60 °C (-40 °F – 140 °F), Humidity: 90% or less (non-condensing)	-40 °C to 60 °C (-40 °F to 140 °F), humidity: 90% or less (non-condensation)	-40 °C to 60 °C (-40 °F to 140 °F), humidity: 90% or less (non-condensation)	-40 °C – 60 °C (-40 °F – 140 °F), Humidity: 90% or less (non-condensing)	-40 °C to 60 °C (-40 °F to 140 °F), humidity: 90% or less (non-condensation)
Power Supply	12 V DC ±25%	12 VDC ±25%	12 VDC ±25%, PoC.af	12 V DC ±25%	12 VDC ± 25%
Power Consumption	Max. 4.3 W	Max. 5.2 W	Max. 5.1 W	Max. 4.3 W	Max. 2.5 W
Protection Level	IP67	IP67	IP67	IP67	IP66
IR Range	Up to 40 m	Up to 80 m	Up to 20 m	Up to 20 m	20 m
Dimensions	86.7 mm × 81.6 mm × 226 mm (3.41" × 3.23" × 8.67")	86.7 mm × 81.6 mm × 226 mm (3.41" × 3.23" × 8.67")	86.7 mm × 81.6 mm × 226 mm (3.41" × 3.23" × 8.67")	58 mm × 61 mm × 163 mm (2.28" × 2.40" × 6.42")	Φ 85.8 mm × 69.7 mm (Φ 3.38" × 2.84")
Weight	Approx. 680 g (1.5 lb.)	Approx. 680 g (1.5 lb.)	Approx. 605 g (1.33 lb.)	Approx. 350 g (0.77 lb.)	Approx. 183 g (0.40 lb.)
Appearance	Bullet			Bullet	
Effective Pixels	2560 (H) × 1944 (V)	2560 (H) × 1944 (V)	2560 (H) × 1944 (V)	2560 (H) × 1944 (V)	1920 (H) × 1080 (V)
Min. illumination	0.01 Lux @ (F1.2, AGC ON), 0 Lux with IR	Color: 0.01 Lux @ (F1.2, AGC ON), 0 Lux with IR	Color: 0.01 Lux@(F1.2, AGC ON), 0 Lux with IR	0.01 Lux @ (F1.2, AGC ON), 0 Lux with IR	Color: 0.01 Lux@(F1.2, AGC ON), 0 Lux with IR
Angle Adjustment	Pan: 0-360°; Tilt: 0-180°; Rotate: 0-360°	Pan: 0° to 360°; Tilt: 0° to 180°; Rotate: 0° to 360°	Pan: 0° to 360°, Tilt:0° to 180°, Rotate: 0° to 360°	Pan: 0-360°; Tilt: 0-180°; Rotate: 0-360°	Pan: 0° to 360°; Tilt: 0° to 75°; Rotate: 0° to 360°
WDR	Digital WDR		Digital WDR	Digital WDR	Digital WDR
Video Frame Rate	5 MP@20fps, 4 MP@25fps, 1080p@25fps	PAL: 5 MP@20fps, 4 MP@25fps, 1080p@25fps NTSC: 5 MP@20fps, 4 MP@30fps, 1080p@30fps	TVI: 5MP@20fps, 4MP@30fps, 4MP@25fps, 1080p@30fps, 1080p@25fps CVI: 4MP@30fps, 4MP@25fps AHD: 5MP@20fps, 4MP@30fps, 4MP@25fps CVBS: PAL/NTSC	5 MP@20fps, 4 MP@25fps, 1080p@25fps	PAL: 1080p@25fps NTSC: 1080p@30fps
HD Video Output	Switchable TVI/AHD/CVI/CVBS	Switchable TVI/AHD/CVI/CVBS	1 HD analog output	Switchable TVI/AHD/CVI/CVBS	Switchable TVI/AHD/CVI/CVBS
CVBS Output					
Camera ID					



FIXED DOME CAMERA



FIXED TURRET CAMERA



VARI-FOCAL TURRET CAMERA

Short Description	HD1080p IR Turret Camera	2 MP IR Turret Camera	2 MP Indoor IR Dome Camera	HD 1080p EXIR Turret Camera	2 MP IR Turret Camera
Model	DS-2CE56D0T-IRF	DS-2CE56D0T-IRMF	DS-2CE56D0T-IRMMF	DS-2CE56D0T-IT3F	DS-2CE56D0T-VFIR3F
Image Sensor	2MP CMOS Image sensor	2MP CMOS Image Sensor	2MP CMOS Image Sensor	2MP CMOS Image Sensor	2MP CMOS Image Sensor
Lens	3.6 mm	2.8mm	2.8 mm	3.6 mm	2.8 mm-12 mm
Day & Night	ICR	ICR	ICR	ICR	ICR
Operating Conditions	-40 °C to 60 °C (-40 °F to 140 °F), Humidity: 90% or less (non-condensation)	-40 °C to 60 °C (-40 °F to 140 °F), Humidity: 90% or less (non-condensation)	-40 °C to 60 °C (-40 °F to 140 °F), Humidity: 90% or less (non-condensation)	-40 °C – 60 °C (-40 °F – 140 °F), Humidity 90% or less (non-condensing)	-40 °C to 60 °C (-40 °F to 140 °F), Humidity: 90% or less (non-condensation)
Power Supply	12 V DC±15%	12 VDC±15%	12 VDC±15%	12 VDC±15%	12 VDC±15%
Power Consumption	Max. 4W	Max. 4W	Max. 4W	Max. 4W	Max. 4W
Protection Level	IP66	IP66		IP66	IP66
IR Range	Up to 20 m	Up to 20m	Up to 20m	Up to 40m	Up to 40m
Dimensions	Φ 89.9 × 70.1 mm (3.54" × 2.76")	89.47 × 67.6 mm (3.52" × 2.7")	Φ 98 x 65.4 mm (Φ 3.86" x 2.57")	Φ 110 mm × 93.2 mm (4.33" × 3.67")	Φ 130.54 × 102.4mm (Φ 5.1" × 4")
Weight	280 g (0.62 lb.)	340 g (0.75 lb.)	240 g (0.53 lb.)	350 g (0.77 lb.)	Approx. 710g
Appearance	Turret	Turret	Indoor Dome	Turret	Turret
Effective Pixels	1920(H)*1080(V)	1920(H)*1080(V)	1920(H)*1080(V)	1920(H)*1080(V)	1920(H)*1080(V)
Min. illumination	0.01 Lux@(F1.2,AGC ON),0 Lux with IR	0.01 Lux @ (F1.2,AGC ON),0 Lux with IR	0.01 Lux @ (F1.2,AGC ON),0 Lux with IR	0.01 Lux @ (F1.2,AGC ON),0 Lux with IR	0.01 Lux @ (F1.2,AGC ON),0 Lux with IR
Angle Adjustment	Pan: 0 - 360°, Tilt: 0 - 75°, Rotation: 0 - 360°	Pan: 0 - 360°, Tilt: 0 - 75°, Rotation: 0 - 360°	Pan: 0-350°, Tilt: 0-70°, Rotation: 0-350°	Pan: 0 - 360°, Tilt: 0 - 75°, Rotation: 0 - 360°	Pan: 0-360°, Tilt: 0-75°, Rotation: 0-360°
WDR					
Video Frame Rate	1080p@25fps	1080p@25fps	1080p@25fps	1080p@25fps	1080p@25fps
HD Video Output	Switchable TVI/AHD/CVI/CVBS	Switchable TVI/AHD/CVI/CVBS	Switchable TVI/AHD/CVI/CVBS	Switchable TVI/AHD/CVI/CVBS	Switchable TVI/AHD/CVI/CVBS
CVBS Output					
Camera ID					

FIXED TURRET CAMERA



VARI-FOCAL TURRET CAMERA



FIXED TURRET CAMERA



VARI-FOCAL DOME CAMERA



Short Description	5 MP Turret Camera	5 MP Turret Camera	5 MP Turret Camera	5 MP Turret Camera	5 MP Dome Camera
Model	DS-2CE56H0T-IT3F	DS-2CE56H0T-IT3ZF	DS-2CE56H0T-ITME	DS-2CE56H0T-ITMF	DS-2CE56H0T-VPIT3ZF
Image Sensor	5 MP CMOS image sensor	5 MP CMOS image sensor	5 MP CMOS image sensor	5 MP CMOS image sensor	5 MP CMOS
Lens	2.8 mm	2.7- 13.5 mm	2.8 mm, 3.6 mm, 6 mm fixed Lens	2.8 mm	2.7 mm to 13.5 mm motorized varifocal lens
Day & Night	ICR	ICR	IR cut filter	ICR	IR cut filter
Operating Conditions	-40 °C – 60 °C (-40 °F – 140 °F), Humidity: 90% or less (non-condensing)	-40 °C to 60 °C (-40 °F to 140 °F), humidity: 90% or less (non-condensation)	-40 °C – 60 °C (-40 °F – 140 °F), Humidity: 90% or less (non-condensing)	-40 °C – 60 °C (-40 °F – 140 °F), Humidity: 90% or less (non-condensing)	-40 °C to 60 °C (-40 °F to 140 °F), humidity: 90% or less (non-condensation)
Power Supply	12 V DC ±25%	12 VDC ±25%	12 VDC ±25%, PoC.af	12 V DC ±25%	12 VDC ±15%, 24 VAC ±15%
Power Consumption	Max. 4.3 W	Max. 6.3 W	Max. 4.3 W	Max. 4.3 W	Max. 4.4 W
Protection Level	IP67	IP67	IP67	IP67	IP67, IK10
IR Range	Up to 40 m	Up to 40 m	Up to 20 m	Up to 20 m	40 m
Dimensions	Ø 110 mm × 93.2 mm (Ø 4.33" × 3.67")	123.86 mm × 134.3 mm × 110.11 mm (4.88" × 5.29" × 4.38")	91 mm × 82.6 mm × 68.3 mm (3.58" × 3.25" × 2.69")	91 mm × 82.6 mm × 68.3 mm (3.58" × 3.25" × 2.69")	Φ 145.2 mm × 124.1 mm (Φ 7.1" × 4.9")
Weight	350 g (0.77 lb.)	Approx. 580 g (1.28 lb.)	Approx. 253 g (0.56 lb.)	Approx. 350 g (0.77 lb.)	Approx. 610 g (1.34 lb.)
Appearance	Turret	Turret		Turret	
Effective Pixels	2560 (H) × 1944 (V)	2560 (H) × 1944 (V)	2560 (H) × 1944 (V)	2560 (H) × 1944 (V)	2560 (H) × 1944 (V)
Min. illumination	0.01 Lux @ (F1.2, AGC ON), 0 Lux with IR	Color: 0.01 Lux @ (F1.2, AGC ON), 0 Lux with IR	Color: 0.01 Lux @ (F1.2, AGC ON), 0 Lux with IR	0.01 Lux @ (F1.2, AGC ON), 0 Lux with IR	Color: 0.01 Lux@(F1.2, AGC ON), 0 Lux with IR
Angle Adjustment	Pan: 0-360°; Tilt: 0-75°; Rotate: 0-360°	Pan: 0-360°; Tilt: 0-75°; Rotate: 0-360°	Pan: 0° to 360°; Tilt: 0° to 75°; Rotate: 0° to 360°	Pan: 0-360°; Tilt: 0-75°; Rotate: 0-360°	Pan: 0° to 355°; Tilt: 0° to 75°; Rotate: 0° to 355°
WDR	Digital WDR			Digital WDR	Digital WDR
Video Frame Rate	5 MP@20fps, 4 MP@25fps, 1080p@25fps	5 MP@20fps, 4 MP@25fps, 1080p@25fps	PAL: 5 MP@20fps, 4 MP@25fps, 1080p@25fps NTSC: 5 MP@20fps, 4 MP@30fps, 1080p@30fps	5 MP@20fps, 4 MP@25fps, 1080p@25fps	PAL: 5 MP@20fps, 4 MP@25fps, 1080p@25fps NTSC: 5 MP@20fps, 4 MP@30fps, 1080p@30fps
HD Video Output	Switchable TVI/AHD/CVI/CVBS	Switchable TVI/AHD/CVI/CVBS	1 HD analog output	Switchable TVI/AHD/CVI/CVBS	Switchable TVI/AHD/CVI/CVBS
CVBS Output					
Camera ID					

FIXED DOME CAMERA



VARI-FOCAL DOME CAMERA



FIXED TURRET CAMERA











Short Description	5 MP Dome Camera	5 MP Dome Camera	2 MP Mini Turret Camera
Model	DS-2CE56H0T-VPITF	DS-2CE5AH0T-(A)VPIT3ZF	DS-2CE70D0T-ITMF
Image Sensor	5 MP CMOS image sensor	5 MP CMOS image sensor	2 MP CMOS
Lens	2.8 mm, 3.6 mm, 6 mm fixed lens	2.7 mm to 13.5 mm motorized vari-focal lens	2.8 mm, 3.6 mm, 6 mm fixed lens
Day & Night	IR cut filter	IR cut filter	IR cut filter
Operating Conditions	-40 °C to 60 °C (-40 °F to 140 °F), humidity: 90% or less (non-condensation)	-40 °C – 60 °C (-40 °F – 140 °F), Humidity 90% or less (non-condensing)	-40 °C to 60 °C (-40 °F to 140 °F), humidity: 90% or less (non-condensation)
Power Supply	12 VDC ±25%	12 VDC ±15%, 24 VAC ±15%	12 VDC ±25% *You are recommended to use one power adapter to supply the power for one camera.
Power Consumption	Max. 4.3 W	DS-2CE5AH0T-VPIT3Z: Max. 4.4 W DS-2CE5AH0T-AVPIT3Z: Max. 6.0 W	Max. 3.6 W
Protection Level	IP67, IK10	IP67, IK10	IP67
IR Range		Up to 40 m	20 m
Dimensions	∅ 111 mm × 82.4 mm (∅ 4.4" × 3.2")	∅ 145 mm × 111.3 mm (∅ 5.70" × 4.37")	∅ 61.12 mm × 60 mm (∅ 2.57" × 2.56")
Weight	Approx. 350 g (0.77 lb.)	DS-2CE5AH0T-VPIT3ZF: Approx. 815 g (1.80 lb.) DS-2CE5AH0T-AVPIT3ZF: Approx. 860 g (1.90 lb.)	160 g (0.35 lb.)
Appearance			
Effective Pixels	2560 (H) × 1944 (V)	2560 (H) × 1944 (V)	1920 (H) × 1080 (V)
Min. illumination	Color: 0.01 Lux @ (F1.2, AGC ON), 0 Lux with IR	Color: 0.01 Lux @ (F1.2, AGC ON), 0 Lux with IR	Color: 0.01 Lux@(F1.2, AGC ON), 0 Lux with IR
Angle Adjustment	Pan: 0° to 355°; Tilt: 0° to 75°; Rotate: 0° to 355°	Pan: 0° to 355°; Tilt: 0° to 75°; Rotate: 0° to 355°	Pan: 0° to 360°, Tilt: 0° to 80°, Rotation: 0° to 360°
WDR	Digital WDR	Digital WDR	Digital WDR
Video Frame Rate	PAL: 5 MP@20fps, 4 MP@25fps, 1080p@25fps NTSC: 5 MP@20fps, 4 MP@30fps, 1080p@30fps	PAL: 5 MP@20fps, 4 MP@25fps, 1080p@25fps NTSC: 5 MP@20fps, 4 MP@30fps, 1080p@30fps	TVI: 1080P@25fps, 1080P@30fps AHD: 1080P@25fps, 1080P@30fps CVI: 1080P@25fps, 1080P@30fps CVBS: P/N
HD Video Output	Switchable TVI/AHD/CVI/CVBS	Switchable TVI/AHD/CVI/CVBS	Switchable TVI/AHD/CVI/CVBS
CVBS Output			
Camera ID			



IP PTZ CAMERAS






Hikvision PTZ Cameras provide a wide array of benefits giving customers maximum tracking and more detail. Features like true WDR, up to 50x optical zoom, an IR range of up to 200 metres DarkFighter technology, make this series

The cameras come in three ranges, for the most flexibility: the Solution Series representing top-of-the-class in video surveillance; the Project Series, for scalable professional implementation and the Economic Series, for the price sensitive market.

	IR INDOOR PTZ		IR OUTDOOR PTZ	OUTDOOR PTZ	IR OUTDOOR PTZ
					
					
Short Description	2MP 15× Network IR PTZ Camera	2 MP 25× Network IR PTZ Camera	2 MP 25× Network IR Speed Dome	2MP 32× Network Speed Dome	4MP 25× Network IR Speed Dome
Model	DS-2DE4A215IW-DE(C)	DS-2DE4A225IW-DE(B)	DS-2DE5225IW-AE(B)	DS-2DE5232W-AE	DS-2DE5425IW-AE(B)
Working Temperature	Temperature: -30°C to 65°C (-22°F to 149°F)	Temperature: -30°C to 65°C (-22°F to 149°F)	Temperature: -30°C to 65°C (-22°F to 149°F)	Temperature: -30°C to 65°C (-22°F to 149°F)	-30°C to 65°C (-22°F to 149°F)
Protection Level	IP66 Standard; TVS 4000V Lightning Protection, Surge Protection and Voltage Transient Protection	IP66 Standard; TVS 4000V Lightning Protection, Surge Protection and Voltage Transient Protection	IP66 Standard, TVS 4000V Lightning Protection, Surge Protection and Voltage Transient Protection	IP66 Standard, TVS 4000V Lightning Protection, Surge Protection and Voltage Transient Protection	IP66 Standard, TVS 4000V Lightning Protection, Surge Protection and Voltage Transient Protection
Image Sensor	1/2.8" progressive scan CMOS	1/2.8" progressive scan CMOS	1/2.8" progressive scan CMOS	1/2.8" Progressive scan CMOS	1/2.5" progressive scan CMOS
Min. Illumination	Color: 0.005 Lux @(F1.6, AGC ON)B/W: 0.001 Lux @(F1.6, AGC ON) 0 Lux with IR	Color: 0.005 Lux @(F1.6, AGC ON) B/W: 0.001 Lux @(F1.6, AGC ON) 0 Lux with IR	Color: 0.005 Lux @(F1.6, AGC ON)B/W: 0.001 Lux @(F1.6, AGC ON)	Color: 0.005 Lux @(F1.6, AGC ON)B/W: 0.001Lux @(F1.6, AGC ON)	Color: 0.005 Lux @(F1.6, AGC ON) B/W: 0.001Lux @(F1.6, AGC ON) 0 Lux with IR
Max. Image Resolution				1920×1080	
Focal Length	5 mm to 75 mm	4.8 mm to 120 mm	4.8 mm to 120 mm	4.8 mm to 153 mm	4.8 mm to 120 mm
Optical Zoom	15×	15×	25×	32×	25x
Angle of View	Horizontal field of view: 53.8° to 4.0° (wide-tele)Vertical field of view: 31.9° to 2.3° (wide-tele)Diagonal field of view: 60.4° to 4.6°(wide-tele)	Horizontal field of view: 57.6° to 2.5° (wide-tele) Vertical field of view: 34.4° to 1.4° (wide-tele) Diagonal field of view: 64.5° to 2.9° (wide-tele)	Horizontal field of view: 57.6° to 2.5° (wide-tele)Vertical field of view: 34.4° to 1.4° (wide-tele)Diagonal field of view: 64.5° to 2.9° (wide-tele)	Horizontal field of view: 55.6° to 2.04° (Wide-Tele)	Horizontal field of view: 59.5° to 2.6° (Wide-Tele) Vertical field of view: 35.7° to 1.5° (Wide-Tele) Diagonal field of view: 66.6 to 3.0° (Wide-Tele)
Aperture Range	F1.6 to F3.5	F1.6 to F3.8	F1.6 to F3.8	F1.2 to F4.4	F1.6 to F3.5
Range	Pan:360°,Tilt:From -5° to 90°	Pan:360°,Tilt:From -5° to 90°	Pan:360°,Tilt:From -15° to 90°	Pan:360° endless; Tilt: From -5° to 90°	Pan:360° endless; Tilt From -15° to 90° (Auto-flip)
Speed	Pan:Configurable, from 0.1°/s to 100°/s,Preset Speed: 100°/sTilt: Configurable, from 0.1°/s to 100°/s,Preset Speed: 100°/s	Pan:Configurable, from 0.1°/s to 300°/s,Preset Speed: 350°/s Tilt: Configurable, from 0.1°/s to 160°/s,Preset Speed: 200°/s	Pan:Configurable, from 0.1°/s to 120°/s,Preset Speed: 120°/sTilt: Configurable, from 0.1°/s to 80°/s,Preset Speed: 80°/s	Pan Manual Speed: Configurable, from 0.1°/s to 250°/s, Preset Speed: 300°/sTilt Manual Speed: Configurable, from 0.1°/s to 150°/s, Preset Speed: 200°/s	Pan:Configurable, from 0.1°/s to 120°/s, Preset Speed: 120°/s Tilt Speed:Configurable, from 0.1°/s to 80°/s, Preset Speed: 80°/s
IR Distance	50m	50m	150m	-	150m
Alarm Input	-	2	-	2	2
Alarm Output	-	2	-	1	1
Mini SD Memory Card	Built-in memory card slot, support Micro SD/SDHC/SDXC, up to 256 GB; NAS (NPS, SMB/ CIFS), ANR	Built-in memory card slot, support Micro SD/SDHC/SDXC, up to 256 GB; NAS (NPS, SMB/ CIFS), ANR	Built-in memory card slot, support Micro SD/SDHC/SDXC, up to 256 GB; NAS (NPS, SMB/ CIFS), ANR	Built-in memory card slot, support Micro SD/SDHC/SDXC, up to 256 GB; NAS (NPS, SMB/ CIFS), ANR	Built-in memory card slot, support Micro SD/SDHC/SDXC, up to 256 GB; NAS (NFS, SMB/ CIFS), ANR
Power	12 VDC and PoE+ (802.3at, class4)Max.: 18 W (IR light 5 W Max.)	12 VDC & PoE+ (802.3at, class4), Max.:18 W (IR Max.5 W)	24 VAC & PoE+ (802.3at, class4), Max.:18 W	24 VAC and PoE+ (802.3at, class4)Max.: 22W	24 VAC and Hi-PoE Max.: 30 W, including max. 10W for IR
Dimensions	Φ 169 mm × 161 mm (Φ 6.65" × 6.34")	Φ 169 mm × 161 mm (Φ 6.65" × 6.34")	Φ 208 mm × 305 mm (Φ 8.19" × 12.01")	Φ 220 mm × 305 mm (Φ 8.66" × 12.01") (Outdoor)Φ 183.4 mm × 243 mm (Φ 7.22" × 9.57") (Indoor)Φ 245 mm × 236 mm (Φ 9.65" × 9.29") (In-ceiling)	Φ 208 mm × 345 mm (Φ 8.19" × 13.58")
Weight (approx.)	Approx. 2.45 kg (5.40 lb)	Approx. 2.45 kg (5.40 lb)	Approx. 3.3 kg (7.28 lb)	approx. 3 kg	Approx. 3.3 kg (7.28 lb)



Short Description	2MP 25× Network IR Speed Dome	2MP 32× Network IR Speed Dome
Model	DS-2DE7225IW-AE	DS-2DE7232IW-AE(B)
Working Temperature	-30°C to 65°C (-22°F to 149°F)	-30°C to 65°C (-22°F to 149°F)
Protection Level	IP66 Standard, TVS 4000V Lightning Protection, Surge Protection and Voltage Transient Protection	IP66 Standard, TVS 4000V Lightning Protection, Surge Protection and Voltage Transient Protection
Image Sensor	1/2.8" progressive scan CMOS	1/2.8" progressive scan CMOS
Min. Illumination	Color: 0.005 Lux @(F1.6, AGC ON) B/W: 0.001Lux @(F1.6, AGC ON) 0 Lux with IR	Color: 0.005 Lux @(F1.6, AGC ON) B/W: 0.001Lux @(F1.6, AGC ON) 0 Lux with IR
Max. Image Resolution		
Focal Length	4.8 mm to 120 mm	4.8 mm to 153 mm
Optical Zoom	25×	32×
Angle of View	Horizontal field of view: 57.6° to 2.5° (Wide-Tele) Vertical field of view: 34.4° to 1.4° (Wide-Tele) Diagonal field of view: 64.5° to 2.9° (Wide-Tele)	Horizontal field of view: 55.6° to 2.04° (Wide-Tele) Vertical field of view: 32.4° to 1.14° (Wide-Tele) Diagonal field of view: 63° to 2.34° (Wide-Tele)
Aperture Range	F1.6 to F3.5	F1.2 to F4.4
Range	Pan:360° endless; Tilt From -15° to 90° (Auto-flip)	Pan:360° endless; Tilt From -15° to 90° (Auto-flip)
Speed	Pan:Configurable, from 0.1°/s to 160°/s, Preset Speed: 240°/s Tilt Speed:Configurable, from 0.1°/s to 120°/s, Preset Speed: 200°/s	Pan:Configurable, from 0.1°/s to 160°/s, Preset Speed: 240°/s Tilt Speed:Configurable, from 0.1°/s to 120°/s, Preset Speed: 200°/s
IR Distance		150m
Alarm Input		
Alarm Output		
Mini SD Memory Card	Built-in memory card slot, support Micro SD/SDHC/SDXC, up to 256 GB; NAS (NPS, SMB/ CIFS), ANR	Built-in memory card slot, support Micro SD/SDHC/SDXC, up to 256 GB; NAS (NPS, SMB/ CIFS), ANR
Power	24 VAC and Hi-PoE Max.: 40 W (Max. 14 W for IR)	24 VAC and Hi-PoE Max.: 40 W (Max. 14 W for IR)
Dimensions	Φ 220 mm × 353.4 mm (Φ 8.66" × 13.91")	Φ 220 mm × 353.4 mm (Φ 8.66" × 13.91")
Weight (approx.)	Approx. 4.5 kg (9.92 lb)	Approx. 4.5 kg (9.92 lb)

	IR INDOOR PTZ		OUTDOOR PTZ	IR OUTDOOR PTZ	INDOOR PTZ
					
Short Description	2MP 4× IR Network PTZ Camera	4MP 4× IR Network PTZ Camera	2MP Network Mini PTZ Dome Camera	2MP 15× Network IR Speed Dome	2MP 15× Network Speed Dome
Model	DS-2DE2A204IW-DE3	DS-2DE2A404IW-DE3	DS-2DE3204W-DE	DS-2DE4215IW-DE	DS-2DE4215W-DE3
Working Temperature	-20°C to 60°C (-4°F to 140°F)	-20°C to 60°C (-4°F to 140°F)	-30°C ~ 65°C (-22°F ~ 149°F)	Working Temperature: -30°C to 65°C (-22°F to 149°F)	Temperature: -10°C to 55°C (14°F to 131°F)
Protection Level	IP66 Standard, IK 10, TVS 4000V Lightning Protection, Surge Protection and Voltage Transient Protection	IP66 Standard, IK10, TVS 4000V Lightning Protection, Surge Protection and Voltage Transient Protection	IP66, IK10, TVS 4,000V lightning protection, surge protection and voltage transient protection	IP66 Standard; TVS 4000V Lightning Protection, Surge Protection and Voltage Transient Protection	TVS 4000V Lightning Protection, Surge Protection and Voltage Transient Protection
Image Sensor	1/3" progressive scan CMOS	1/3" progressive scan CMOS	1/2.8" Progressive scan CMOS	1/2.8" progressive scan CMOS	1/2.8" progressive scan CMOS
Min. Illumination	Color: 0.005 Lux @(F1.6, AGC ON) B/W: 0.001 Lux @(F1.6, AGC ON) 0 Lux with IR	Color: 0.005 Lux @(F1.6, AGC ON) B/W: 0.001 Lux @(F1.6, AGC ON) 0 Lux with IR	F1.6, AGC On : Color : 0.05 lux, B/W : 0.01 lux	Color: 0.005 Lux @(F1.6, AGC ON)B/W: 0.001 Lux @(F1.6, AGC ON)0 Lux with IR	Color: 0.005 Lux @(F1.6, AGC ON)B/W: 0.001 Lux @(F1.6, AGC ON)
Max. Image Resolution					
Focal Length	2.8 mm to 12 mm	2.8 mm to 12 mm	2.8-12mm	5 mm to 75 mm	5 mm to 75 mm
Optical Zoom	4×	4×	4x	15×	15×
Angle of View	Horizontal field of view: 109° to 34° (Wide-Tele) Vertical field of view: 57° to 19° (Wide-Tele) Diagonal field of view: 135° to 39° (Wide-Tele)	Horizontal field of view: 100° to 33° (Wide-Tele) Vertical field of view: 53° to 18° (Wide-Tele) Diagonal field of view: 119° to 37.5° (Wide-Tele)	105-33.5 degree (Wide-Tele)	Horizontal field of view: 53.8° to 4.0° (wide-tele)Vertical field of view: 31.9° to 2.3° (wide-tele)Diagonal field of view: 60.4° to 4.6°(wide-tele)	Horizontal field of view: 53.8° to 4.0° (wide-tele)Vertical field of view: 31.9° to 2.3° (wide-tele)Diagonal field of view: 60.4° to 4.6°(wide-tele)
Aperture Range	F1.6 to F2.7	F1.6 to F2.7	F1.6 ~F2.7	F1.6 to F3.5	F1.6 to F3.5
Range	Pan:0° to 330°;Tilt:From 0° to 90°	Pan:0° to 330°;Tilt:From 0° to 90°	Pan: 0-350°; Tilt: 0°-90°	Pan:360° endless;Tilt:From -15° to 90° (Auto-flip)	Pan:360°;Tilt:From 5° to 90°
Speed	Pan: Configurable, from 0.1°/s to 100°/s, Preset speed: 100°/s;Tilt:Configurable, from 0.1°/s to 100°/s Preset Speed: 100°/s	Pan:Configurable, from 0.1°/s to 100°/s, Preset speed: 100°/s;Tilt:Configurable, from 0.1°/s to 100°/s Preset Speed: 100°/s	Pan Manual Speed: 0.1°-60°/s, Pan Preset Speed: 60°/s Tilt Manual Speed: 0.1°-50°/s, Tilt Preset Speed: 50°/s	Pan:Configurable, from 0.1°/s to 80°/s, Preset Speed: 80°/s; Tilt: Configurable, from 0.1°/s to 80°/s Preset Speed: 80°/s	Pan:Configurable, from 0.1°/s to 100°/s, Preset Speed: 100°/s;Tilt: Configurable, from 0.1°/s to 80°/s, Preset Speed: 80°/s
IR Distance				100m	
Alarm Input	-	-	1	-	-
Alarm Output	-	-	1	-	-
Mini SD Memory Card	Built-in memory card slot, support Micro SD/SDHC/SDXC, up to 256 GB; NAS (NPS, SMB/ CIPS), ANR	Built-in memory card slot, support Micro SD/SDHC/SDXC, up to 256 GB; NAS (NPS, SMB/ CIPS), ANR	Support up to 128GB Micro SD/SDHC/SDXC card. Support Edge recording	Built-in memory card slot, support Micro SD/SDHC/SDXC, up to 256 GB; NAS (NPS, SMB/ CIPS), ANR	Built-in memory card slot, support Micro SD/SDHC/SDXC, up to 256 GB; NAS (NPS, SMB/ CIPS), ANR
Power	12 VDC & PoE Max.: 12 W (Max. 3.9 W for IR)	12 VDC & PoE Max.: 12 W (Max. 3.9 W for IR)	POE (802.3af, class3) & 12 VDC, Max. 8W	12 VDC and PoE+ (802.3at, class4)Max.: 18 W (IR light 6 W Max.)	12 VDC and PoE+ (802.3at, class4)Max.: 18 W (IR light 6 W Max.)
Dimensions	Φ 130.7 mm × 101.7 mm (Φ 5.15" × 4.00")	Φ 130.7 mm × 101.7 mm (Φ 5.15" × 4.00")	Φ 140.7×107.2mm	Φ 164.5 mm × 290 mm (Φ 6.48" × 11.42")	Φ 165 mm × 179.5 mm (Φ 6.5"×7.1")
Weight (approx.)	Approx. 0.53 kg (1.17 lb)	Approx. 0.53 kg (1.17 lb)	950g	Approx. 2 kg (4.41 lb)	Approx. 2 kg (4.41 lb)

IR OUTDOOR PTZ



NEW

OUTDOOR PTZ



IR OUTDOOR PTZ








Short Description	2 MP 25× Network IR Speed Dome	2 MP 25× Network Speed Dome	4MP 25× Network IR Speed Dome
Model	DS-2DE4225IW-DE(D)	DS-2DE4225W-DE	DS-2DE4425IW-DE
Working Temperature	Temperature: -30°C to 65°C (-22°F to 149°F)	Outdoor Models: -30°C to 65°C (-22°F to 149°F)	Temperature: -30°C to 65°C (-22°F to 149°F)
Protection Level	IP66 Standard; TVS 4000V Lightning Protection, Surge Protection and Voltage Transient Protection	IP66 Standard, TVS 4000V Lightning Protection, Surge Protection and Voltage Transient Protection	IP66 Standard, TVS 4000V Lightning Protection, Surge Protection and Voltage Transient Protection
Image Sensor	1/2.8" progressive scan CMOS	1/2.8" progressive scan CMOS	1/2.5" progressive scan CMOS
Min. Illumination	Color: 0.005 Lux @(F1.6, AGC ON)B/W: 0.001 Lux @(F1.6, AGC ON)0 Lux with IR	Color: 0.005 Lux @(F1.6, AGC ON)B/W: 0.001 Lux @(F1.6, AGC ON)	Color: 0.005 Lux @(F1.6, AGC ON)B/W: 0.001Lux @(F1.6, AGC ON)0 Lux with IR
Max. Image Resolution			
Focal Length	4.8 mm to 120 mm	4.8 mm to 120 mm	4.8 mm to 120 mm
Optical Zoom	25×	25×	25×
Angle of View	Horizontal field of view: 57.6° to 2.5° (wide-tele)Vertical field of view: 34.4° to 1.4° (wide-tele)Diagonal field of view: 64.5° to 2.9° (wide-tele)	Horizontal field of view: 57.6° to 2.5° (wide-tele)Vertical field of view: 34.4° to 1.4° (wide-tele)Diagonal field of view: 64.5° to 2.9° (wide-tele)	Horizontal field of view: 59.5° to 2.6° (Wide-Tele)Vertical field of view: 35.7° to 1.5° (Wide-Tele)Diagonal field of view: 66.6 to 3.0° (Wide-Tele)
Aperture Range	F1.6 to F3.8	F1.6 to F3.8	F1.6 to F3.5
Range	Pan:360°,Tilt:From -15° to 90°	Pan:360°,Tilt:From 5° to 90°	Pan:360° endless,Tilt:From -15° to 90°
Speed	Pan:Configurable, from 0.1°/s to 80°/s, Preset Speed: 80°/sTilt: Configurable, from 0.1°/s to 80°/s, Preset Speed: 80°/s	Pan:Configurable, from 0.1°/s to 100°/s, Preset Speed: 100°/sTilt: Configurable, from 0.1°/s to 80°/s, Preset Speed: 80°/s	Pan:Configurable, from 0.1°/s to 80°/s, Preset speed: 80°/sTilt:Configurable, from 0.1°/s to 80°/s, Preset Speed: 80°/s
IR Distance		-	
Alarm Input	2	1	-
Alarm Output	1	1	-
Mini SD Memory Card	Built-in memory card slot, support Micro SD/SDHC/SDXC, up to 256 GB; NAS (NPS, SMB/ CIPS), ANR	Built-in memory card slot, support Micro SD/SDHC/SDXC, up to 256 GB; NAS (NPS, SMB/ CIPS), ANR	Built-in memory card slot, support Micro SD/SDHC/SDXC, up to 256 GB; NAS (NPS, SMB/ CIPS), ANR
Power	12 VDC & PoE+ (802.3at, class4), Max.:18 W (IR Max.6 W)	12 VDC & PoE+ (802.3at, class4), Max.:18 W	12 VDC and PoE+ (802.3 at, class4)Max.: 18 W (Max. 7W for IR)
Dimensions	Φ 164.5 mm × 290 mm (Φ 6.48" × 11.42")	Φ 180 mm × 239.5 mm (Φ 7.09" × 9.43")	Φ 164.5 mm × 290 mm (Φ 6.48" × 11.42")
Weight (approx.)	Approx. 2 kg (4.41 lb)	Approx. 2 kg (4.41 lb)	Approx. 2 kg (4.41 lb)

A decorative graphic in the top-left corner consisting of several overlapping, semi-transparent triangles in shades of gray, creating a star-like or abstract geometric shape.

TURBO HD PTZ CAMERAS

Not only do our PTZ cameras deliver an incredible image during daytime scenes, they also produce clear images- down to 0.005 lux. The series includes autofocus zoom lenses that yields up to 37x optical zoom! It is designed for installations that do not require the 360° high speed positioning of traditional PTZ cameras but that do need occasional pan/tilt/zoom capabilities, including presets, patrols and patterns. The series boasts IP66 and IK10 ratings, allowing the cameras to be mounted in both in- and outdoor installations.

	NON-IR PTZ		IR PTZ		NON-IR PTZ	
	 NEW	 NEW	 NEW	 NEW		
Short Description	2 MP Turbo 4-Inch Speed Dome		2 MP IR Turbo 4-Inch Speed Dome		2 MP Turbo 5-Inch Speed Dome	
Model	DS-2AE4225T-D(C)	DS-2AE4225T-D3(C)	DS-2AE4225TI-D(D)	DS-2AE5225T-A	DS-2AE5232T-A	
Image Sensor	1/2.8" progressive scan CMOS		1/2.8" progressive scan CMOS		1/2.8" progressive scan CMOS	
Min. Illumination	Color: 0.005 Lux @(F1.6, AGC ON)B/W: 0.001 Lux @(F1.6, AGC ON)		Color: 0.005 Lux @(F1.6, AGC ON)B/W: 0.001 Lux @(F1.6, AGC ON) lux with IR		Color: 0.005 Lux @(F1.6, AGC ON)B/W: 0.001 Lux @(F1.6, AGC ON) lux with IR	
Max. Image Resolution	1920×1080		1920×1080		1920×1080	
Focal Length	4.8 mm to 120 mm		4.8 mm to 120 mm		4.8 mm to 120 mm	
Zoom Speed	Approx. 3.6 s (optical, wide to tele)		Approx. 3.6 s (optical, wide to tele)		Approx. 3.2 s (optical, wide to tele)	
Angle of View	57.6° to 2.5° (wide to tele)		57.6° to 2.5° (wide-tele)		57.6° to 2.5° (wide-tele)	
Aperture Range	F 1.6 to F 3.5		F 1.6 to F 3.5		F 1.6 to F 3.5	
Focus Mode	Auto/Semiauto/Manual		Auto/Semiauto/Manual		Auto/Semiauto/Manual	
DWDR	WDR (≥120dB)		WDR (≥120dB)		WDR (≥120dB)	
Day & Night	IR cut filter		IR cut filter		IR cut filter	
Range	Pan:360° endless;Tilt:-5° to 90° (auto flip)		Pan:360° endless;Tilt:-15° to 90° (auto flip)		Pan:360° endless;Tilt:-15° to 90° (auto flip)	
Speed	Pan manual speed: 0.1° to 100°/sPan preset speed: 100°/s Tilt manual speed: 0.1° to 80°/sTilt preset speed: 80°/s		Pan manual speed: 0.1° to 80°/sPan preset speed: 80°/s Tilt manual speed: 0.1° to 80°/sTilt preset speed: 80°/s		Pan manual speed: 0.1° to 120°/sPan preset speed: 120°/s Tilt manual speed: 0.1° to 80°/sTilt preset speed: 80°/s	
Number of Preset	256		256		-	
IR Distance	NA		100m		NA	
Power	12 VDCMax. 16 W		12 VDCMax.20 W (IR:7 W)		24 VACMax.24 W	
Working Temperature	Temperature:-30° C to 65° C (-22° F to 149° F)		Temperature:-30° C to 65° C (-22° F to 149° F)		Temperature:-30° C to 65° C (-22° F to 149° F)	
Protection Level	IP66 standard (outdoor dome)TVS 4,000 V lightning protection, surge protection and voltage transient protection		IP66 standard (outdoor dome)TVS 4,000 V lightning protection, surge protection and voltage transient protection		IP66 standard (outdoor dome)TVS 4,000 V lightning protection, surge protection and voltage transient protection	

IR PTZ



Short Description	2 MP IR Turbo 7-Inch Speed Dome	2 MP IR Turbo 7-Inch Speed Dome
Model	DS-2AE7225TI-A(C)	DS-2AE7232TI-A(C)
Image Sensor	1/2.8" progressive scan CMOS	1/2.8" progressive scan CMOS
Min. Illumination	Color: 0.005 Lux @(F1.6, AGC ON)B/W: 0.001 Lux @(F1.6, AGC ON)0 lux with IR	Color: 0.005 Lux @(F1.2, AGC ON)B/W: 0.001 Lux @(F1.2, AGC ON)0 lux with IR
Max. Image Resolution	1920×1080	1920×1080
Focal Length	4.8 mm to 120 mm	4.8 mm to 153 mm
Zoom Speed	Approx. 3.6 s (optical, wide to tele)	Approx. 3.5 s (optical, wide to tele)
Angle of View	57.6° to 2.5° (wide-tele)	54.2° to 1.97° (wide-tele)
Aperture Range	F 1.6 to F 3.5	F 1.2 to F 4.4
Focus Mode	Auto/Semiauto/Manual	Auto/Semiauto/Manual
DWDR	WDR (≥120dB)	WDR (≥120dB)
Day & Night	IR cut filter	IR cut filter
Range	Pan:360° endless;Tilt:-15° to 90° (auto flip)	Pan:360° endless;Tilt:-15° to 90° (auto flip)
Speed	Pan manual speed: 0.1° to 160°/sPan preset speed: 160°/sTilt manual speed: 0.1° to 120°/sTilt preset speed: 120°/s	Pan manual speed: 0.1° to 160°/sPan preset speed: 160°/sTilt manual speed: 0.1° to 120°/sTilt preset speed: 120°/s
Number of Preset	256	256
IR Distance	150m	150m
Power	24 VACMax. 40 W (IR:14 W)	24 VACMax. 40 W (IR:14 W)
Working Temperature	Temperature:-30° C to 65° C (-22° F to 149° F)	Temperature:-30° C to 65° C (-22° F to 149° F)
Protection Level	IP66 standard (outdoor dome)TVS 4,000 V lightning protection, surge protection and voltage transient protection	IP66 standard (outdoor dome)TVS 4,000 V lightning protection, surge protection and voltage transient protection

DEEP LEARNING BI-SPECTRUM TURRET CAMERA



Short Description	Deep learning Bi-spectrum Turret Camera	Deep learning Bi-spectrum Turret Camera	Deep learning Bi-spectrum Turret Camera
Model	DS-2TD1217-2/V1	DS-2TD1217-3/V1	DS-2TD1217-6/V1
Max. Resolution	160*120	160*120	160*120
Pixel Interval	17 μm	17 μm	17 μm
Response waveband	8 μm to 14 μm	8 μm to 14 μm	8 μm to 14 μm
NETD	less than 40 mk (25°C), F#=1.1	less than 40 mk (25°C), F#=1.1	less than 40 mk (25°C), F#=1.1
Thermal Module Lens(Focal Length)	2mm	3mm	6mm
MRAD	9.44mrad	5.48mrad	2.83 mrad
Min.Focusing distance	0.1m	0.2 m	0.6 m
Aperture	F1.1	F1.1	F1.1
Optical Module Lens(Focal Length)	2.1mm	4mm	6 mm
Bi-Spectrum image fusion	Fusion view of thermal view and overlaid details of the optical channel	Fusion view of thermal view and overlaid details of the optical channel	Fusion view of thermal view and overlaid details of the optical channel
Picture in Picture	Combins details of thermal and optical image PIP, overlay thermal image on optical images	Combins details of thermal and optical image PIP, overlay thermal image on optical images	Combins details of thermal and optical image PIP, overlay thermal image on optical images
VCA(Video content anylasis)	4 VCA rule types (Line Crossing, Intrusion, Region Entrance, and Region Exiting), up to 8VCA rules.	4 VCA rule types (Line Crossing, Intrusion, Region Entrance, and Region Exiting), up to 8VCA rules.	4 VCA rule types (Line Crossing, Intrusion, Region Entrance, and Region Exiting), up to 8VCA rules.
Temperature Measurement	3 temperature measurement rule types, 21 rules (10 points, 10 areas, and 1 line).	3 temperature measurement rule types, 21 rules (10 points, 10 areas, and 1 line).	3 temperature measurement rule types, 21 rules (10 points, 10 areas, and 1 line).
Temperature Range	-20 °C to +150 °C (-4 °F to +302°F)	-20 °C to +150 °C (-4 °F to +302°F)	-20 °C to +150 °C (-4 °F to +302°F)
Temperature accuracy	± 8 °C (± 14.4 °F)	± 8 °C (± 14.4 °F)	± 8 °C (± 14.4 °F)
Fire Detection	Dynamic fire point detection, up to 10 fire points detectable.	Dynamic fire point detection, up to 10 fire points detectable.	Dynamic fire point detection, up to 10 fire points detectable.
Image Sensor	Vanadium Oxide Uncooled Focal Plane Arrays	Vanadium Oxide Uncooled Focal Plane Arrays	Vanadium Oxide Uncooled Focal Plane Arrays
Field of View	(90.00° × 66.40°) (H × V)	(50.00° × 37.20°) (H × V)	(25.00° × 18.70°)(H × V)

THERMAL NETWORK BULLET CAMERA



Short Description	Thermal Network Bullet Camera	Thermal Network Bullet Camera	Thermal Network Bullet Camera	Thermal Network Bullet Camera	Thermal Network Bullet Camera
Model	DS-2TD2117-3/V1	DS-2TD2136-10/V1	DS-2TD2136-15/V1	DS-2TD2136-25/V1	DS-2TD2136-35/V1
Max. Resolution	160*120	384 × 288	384 × 288	384 × 288	384 × 288
Pixel Interval	17 μm	17 μm	17 μm	17 μm	17 μm
Response waveband	8 μm to 14 μm	8 μm to 14 μm	8 μm to 14 μm	8 μm to 14 μm	8 μm to 14 μm
NETD	less than 40 mk (25°C), F#=1.1	less than 40mk (@25°C,F#=1.0)	less than 40mk (@25°C,F#=1.0)	less than 40mk (@25°C,F#=1.0)	less than 40mk (@25°C,F#=1.0)
Thermal Module Lens(Focal Length)	3mm	10 mm	15 mm	25 mm	35 mm
MRAD	5.48mrad	1.70 mrad	1.13 mrad	0.68 mrad	0.49 mrad
Min.Focusing distance	0.2m	1 m	2.5 m	13 m	30 m
Aperture	F1.1	F 1.0	F 1.0	F 1.0	F 1.0
Optical Module Lens(Focal Length)					
Bi-Spectrum image fusion					
Picture in Picture					
VCA(Video content anylasis)	4 VCA rule types (Line Crossing, Intrusion, Region Entrance, and Region Exiting), up to 8VCA rules.	4 VCA rule types (Line Crossing, Intrusion, Region Entrance, and Region Exiting), up to 8 VCA rules.	4 VCA rule types (Line Crossing, Intrusion, Region Entrance, and Region Exiting), up to 8 VCA rules.	4 VCA rule types (Line Crossing, Intrusion, Region Entrance, and Region Exiting), up to 8 VCA rules.	4 VCA rule types (Line Crossing, Intrusion, Region Entrance, and Region Exiting), up to 8 VCA rules.
Temperature Measurement	3 temperature measurement rule types, 21 rules (10 points, 10 areas, and 1 line).	3 temperature measurement rule types, 21 rules (10 points, 10 regions, and 1 line).	3 temperature measurement rule types, 21 rules (10 points, 10 regions, and 1 line).	3 temperature measurement rule types, 21 rules (10 points, 10 regions, and 1 line).	3 temperature measurement rule types, 21 rules (10 points, 10 regions, and 1 line).
Temperature Range	-20 °C to +150 °C (-4 °F to +302°F)	-20 °C to 150 °C (-4 °F to 302 °F)	-20 °C to 150 °C (-4 °F to 302 °F)	-20 °C to 150 °C (-4 °F to 302 °F)	-20 °C to 150 °C (-4 °F to 302 °F)
Temperature accuracy	± 8 °C (± 14.4 °F)	±8 °C (14.4 °F)	±8 °C (14.4 °F)	±8 °C (14.4 °F)	±8 °C (14.4 °F)
Fire Detection	Dynamic fire point detection, up to 10 fire points detectable.	Dynamic fire point detection, up to 10 fire points detectable.	Dynamic fire point detection, up to 10 fire points detectable.	Dynamic fire point detection, up to 10 fire points detectable.	Dynamic fire point detection, up to 10 fire points detectable.
Image Sensor	Vanadium Oxide Uncooled Focal Plane Arrays	Vanadium Oxide Uncooled Focal Plane Arrays	Vanadium Oxide Uncooled Focal Plane Arrays	Vanadium Oxide Uncooled Focal Plane Arrays	Vanadium Oxide Uncooled Focal Plane Arrays
Field of View	(50.00° × 37.20°) (H × V)	37.20° × 28.33° (H × V)	24.55° × 18.54° (H × V)	14.88° × 11.19° (H × V)	10.66° × 8.002° (H × V)



Short Description	Thermal Network Bullet Camera	Thermal Network Bullet Camera	Thermal Network Bullet Camera	Thermal Network Bullet Camera	Thermal Network Bullet Camera
Model	DS-2TD2136-7/V1	DS-2TD2136T-10	DS-2TD2136T-15	DS-2TD2136T-25	DS-2TD2137-10/V1
Max. Resolution	384 × 288	384 × 288	384 × 288	384 × 288	384 × 288
Pixel Interval	17 μm	17μm	17μm	17μm	17 μm
Response waveband	8 μm to 14 μm	8μm to 14μm	8μm to 14μm	8μm to 14μm	8 μm to 14 μm
NETD	less than 40mk (@25°C,F#=1.0)	< 40mk (@25°C,F#=1.0)	< 40mk (@25°C,F#=1.0)	< 40mk (@25°C,F#=1.0)	less than 35mk (@25°C,F#=1.0)
Thermal Module Lens(Focal Length)	7 mm	10 mm	15 mm	25 mm	10 mm
MRAD	2.43 mrad	1.70 mrad	1.13 mrad	0.68 mrad	1.70 mrad
Min.Focusing distance	0.8 m	1 m	2.5 m	13 m	1 m
Aperture	F 1.0	F 1.0	F 1.0	F 1.0	F 1.0
Optical Module Lens(Focal Length)					
Bi-Spectrum image fusion					
Picture in Picture					
VCA(Video content anylasis)	4 VCA rule types (Line Crossing, Intrusion, Region Entrance, and Region Exiting), up to 8 VCA rules.	Support 4 VCA rule types (Line Crossing, Intrusion, Region Entrance, and Region Exiting), 8 VCA rules.	Support 4 VCA rule types (Line Crossing, Intrusion, Region Entrance, and Region Exiting), 8 VCA rules.	Support 4 VCA rule types (Line Crossing, Intrusion, Region Entrance, and Region Exiting), 8 VCA rules.	4 VCA rule types (Line Crossing, Intrusion, Region Entrance, and Region Exiting), up to 8 VCA rules.
Temperature Measurement	3 temperature measurement rule types, 21 rules (10 points, 10 regions, and 1 line).	Support 3 temperature measurement rule types, 21 rules (10 points, 10 regions, and 1 line)	Support 3 temperature measurement rule types, 21 rules (10 points, 10 regions, and 1 line)	Support 3 temperature measurement rule types, 21 rules (10 points, 10 regions, and 1 line)	3 temperature measurement rule types, 21 rules (10 points, 10 regions, and 1 line).
Temperature Range	-20 °C to 150 °C (-4 °F to 302 °F)	-20 °C to 550 °C (-4 °C to 1022 °F)	-20 °C to 550 °C (-4 °C to 1022 °F)	-20 °C to 550 °C (-4 °C to 1022 °F)	-20 °C to 150 °C (-4 °F to 302 °F)
Temperature accuracy	±8 °C (14.4 °F)	Max (± 2 °C, ± 2%)	Max (± 2 °C, ± 2%)	Max (± 2 °C, ± 2%)	±8 °C (14.4 °F)
Fire Detection	Dynamic fire point detection, up to 10 fire points detectable.	Support 10 fire points	Support 10 fire points	Support 10 fire points	Dynamic fire point detection, up to 10 fire points detectable.
Image Sensor	Vanadium Oxide Uncooled Focal Plane Arrays	Vanadium Oxide Uncooled Focal Plane Arrays	Vanadium Oxide Uncooled Focal Plane Arrays	Vanadium Oxide Uncooled Focal Plane Arrays	Vanadium Oxide Uncooled Focal Plane Arrays
Field of View	60° × 43.8° (H × V)	36° × 27°	24.55° × 18.54°	14.88° × 11.19°	36° × 27° (H × V)



Short Description	Thermal Network Bullet Camera	Thermal Network Bullet Camera	Thermal Network Bullet Camera	Single bullet camera	Thermal Network Bullet Camera
Model	DS-2TD2137-15/V1	DS-2TD2137-25/V1	DS-2TD2137-35/V1	DS-2TD2137-7/V1	DS-2TD2166-15/V1
Max. Resolution	384 × 288	384 × 288	384 × 288	384 × 288	640 × 512
Pixel Interval	17 μm	17 μm	17 μm	17 μm	17 μm
Response waveband	8 μm to 14 μm	8 μm to 14 μm	8 μm to 14 μm	8 μm to 14 μm	8 μm to 14 μm
NETD	less than 35mk (@25°C,F#=1.0)	less than 35mk (@25°C,F#=1.0)	less than 35mk (@25°C,F#=1.0)	less than 35mk (@25°C,F#=1.0)	less than 40mk (@25°C,F#=1.0)
Thermal Module Lens(Focal Length)	15 mm	25 mm	35 mm	7 mm	15 mm
MRAD	1.13 mrad	0.68 mrad	0.49 mrad	2.43 mrad	1.13 mrad
Min.Focusing distance	2.5 m	13 m	30 m	0.8 m	2.5 m
Aperture	F 1.0	F 1.0	F 1.0	F 1.0	F 1.0
Optical Module Lens(Focal Length)					
Bi-Spectrum image fusion					
Picture in Picture					
VCA(Video content anylasis)	4 VCA rule types (Line Crossing, Intrusion, Region Entrance, and Region Exiting), up to 8 VCA rules.	4 VCA rule types (Line Crossing, Intrusion, Region Entrance, and Region Exiting), up to 8 VCA rules.	4 VCA rule types (Line Crossing, Intrusion, Region Entrance, and Region Exiting), up to 8 VCA rules.	4 VCA rule types (Line Crossing, Intrusion, Region Entrance, and Region Exiting), up to 8 VCA rules.	Support 4 VCA rule types (Line Crossing, Intrusion, Region Entrance, and Region Exiting), 8 VCA rules.
Temperature Measurement	3 temperature measurement rule types, 21 rules (10 points, 10 regions, and 1 line).	3 temperature measurement rule types, 21 rules (10 points, 10 regions, and 1 line).	3 temperature measurement rule types, 21 rules (10 points, 10 regions, and 1 line).	3 temperature measurement rule types, 21 rules (10 points, 10 regions, and 1 line).	3 temperature measurement rule types, 21 rules (10 points, 10 regions, and 1 line).
Temperature Range	-20 °C to 150 °C (-4 °F to 302 °F)	-20 °C to 150 °C (-4 °F to 302 °F)	-20 °C to 150 °C (-4 °F to 302 °F)	-20 °C to 150 °C (-4 °F to 302 °F)	-20 °C to 150 °C (-4 °F to 302 °F)
Temperature accuracy	±8 °C (14.4 °F)	±8 °C (14.4 °F)	±8 °C (14.4 °F)	±8 °C (14.4 °F)	±8 °C (14.4 °F)
Fire Detection	Dynamic fire point detection, up to 10 fire points detectable.	Dynamic fire point detection, up to 10 fire points detectable.	Dynamic fire point detection, up to 10 fire points detectable.	Dynamic fire point detection, up to 10 fire points detectable.	Dynamic fire point detection, up to 10 fire points detectable.
Image Sensor	Vanadium Oxide Uncooled Focal Plane Arrays	Vanadium Oxide Uncooled Focal Plane Arrays	Vanadium Oxide Uncooled Focal Plane Arrays	Vanadium Oxide Uncooled Focal Plane Arrays	Vanadium Oxide Uncooled Focal Plane Arrays
Field of View	24.55° × 18.54° (H × V)	14.88° × 11.19° (H × V)	10.66° × 8.002° (H × V)	60° × 43.8° (H × V)	42.5° × 33.6° (H × V)



Short Description	Thermal Network Bullet Camera	Thermal Network Bullet Camera	Thermal Network Bullet Camera	Thermal Network Bullet Camera	Thermal Network Bullet Camera
Model	DS-2TD2166-25/V1	DS-2TD2166-35/V1	DS-2TD2166-7/V1	DS-2TD2166T-15/25	DS-2TD2366-100
Max. Resolution	640 × 512	640 × 512	640 × 512	640 × 512	640 × 512
Pixel Interval	17 μm	17 μm	17 μm	17 μm	17 μm
Response waveband	8 μm to 14 μm	8 μm to 14 μm	8 μm to 14 μm	8 μm to 14 μm	8 μm to 14 μm
NETD	less than 40mk (@25°C,F#=1.0)	less than 40mk (@25°C,F#=1.0)	less than 40mk (@25°C,F#=1.0)	less than 40mk (@25°C,F#=1.0)	less than 40mk (@25°C,F#=1.0)
Thermal Module Lens(Focal Length)	25 mm	35 mm	7 mm	15 mm	100 mm
MRAD	0.68 mrad	0.49 mrad	2.42 mrad	1.13 mrad	0.17 mrad
Min.Focusing distance	13 m	30 m	0.8 m	2.5 m	10 m
Aperture	F 1.0	F 1.0	F 1.0	F 1.0	F 1.0
Optical Module Lens(Focal Length)					
Bi-Spectrum image fusion					
Picture in Picture					
VCA(Video content anylasis)	Support 4 VCA rule types (Line Crossing, Intrusion, Region Entrance, and Region Exiting), 8 VCA rules.	Support 4 VCA rule types (Line Crossing, Intrusion, Region Entrance, and Region Exiting), 8 VCA rules.	Support 4 VCA rule types (Line Crossing, Intrusion, Region Entrance, and Region Exiting), 8 VCA rules.	Support 4 VCA rule types (Line Crossing, Intrusion, Region Entrance, and Region Exiting), 8 VCA rules.	Support 4 VCA rule types (Line Crossing, Intrusion, Region Entrance, and Region Exiting), 8 VCA rules.
Temperature Measurement	3 temperature measurement rule types, 21 rules (10 points, 10 regions, and 1 line).	3 temperature measurement rule types, 21 rules (10 points, 10 regions, and 1 line).	3 temperature measurement rule types, 21 rules (10 points, 10 regions, and 1 line).	3 temperature measurement rule types, 21 rules (10 points, 10 regions, and 1 line).	3 temperature measurement rule types, 21 rules (10 points, 10 regions, and 1 line).
Temperature Range	-20 °C to 150 °C (-4 °F to 302 °F)	-20 °C to 150 °C (-4 °F to 302 °F)	-20 °C to 150 °C (-4 °F to 302 °F)	-20 °C to 550 °C (-4 °F to 1022 °F)	-20 °C to 150 °C (-4 °C to 302 °F)
Temperature accuracy	±8 °C (14.4 °F)	±8 °C (14.4 °F)	±8 °C (14.4 °F)	Max (± 2 °C, ± 2%)	± 8 °C (14.4 °F)
Fire Detection	Dynamic fire point detection, up to 10 fire points detectable.	Dynamic fire point detection, up to 10 fire points detectable.	Dynamic fire point detection, up to 10 fire points detectable.	Dynamic fire point detection, up to 10 fire points detectable.	Dynamic fire point detection, up to 10 fire points detectable.
Image Sensor	Vanadium Oxide Uncooled Focal Plane Arrays	Vanadium Oxide Uncooled Focal Plane Arrays	Vanadium Oxide Uncooled Focal Plane Arrays	Vanadium Oxide Uncooled Focal Plane Arrays	Vanadium Oxide Uncooled Focal Plane Arrays
Field of View	24.55° × 19.75° (H × V)	17.67° × 14.18° (H × V)	88.5° × 73.2° (H × V)	42.5° × 33.6° (H × V)	6.23° × 4.98° (H × V)



Short Description	Thermal Network Bullet Camera	Thermal Network Bullet Camera
Model	DS-2TD2366-50	DS-2TD2366-75
Max. Resolution	640 × 512	640 × 512
Pixel Interval	17 μm	17 μm
Response waveband	8 μm to 14 μm	8 μm to 14 μm
NETD	less than 40mk (@25°C,F#=1.0)	less than 40mk (@25°C,F#=1.0)
Thermal Module Lens(Focal Length)	50 mm	75 mm
MRAD	0.34 mrad	0.23 mrad
Min.Focusing distance	7.5 m	8 m
Aperture	F 1.0	F 1.0
Optical Module Lens(Focal Length)		
Bi-Spectrum image fusion		
Picture in Picture		
VCAI Video content analysis)	Support 4 VCA rule types (Line Crossing, Intrusion, Region Entrance, and Region Exiting), 8 VCA rules.	Support 4 VCA rule types (Line Crossing, Intrusion, Region Entrance, and Region Exiting), 8 VCA rules.
Temperature Measurement	3 temperature measurement rule types, 21 rules (10 points, 10 regions, and 1 line).	3 temperature measurement rule types, 21 rules (10 points, 10 regions, and 1 line).
Temperature Range	-20 °C to 150 °C (-4 °C to 302 °F)	-20 °C to 150 °C (-4 °C to 302 °F)
Temperature accuracy	± 8 °C (14.4 °F)	± 8 °C (14.4 °F)
Fire Detection	Dynamic fire point detection, up to 10 fire points detectable.	Dynamic fire point detection, up to 10 fire points detectable.
Image Sensor	Vanadium Oxide Uncooled Focal Plane Arrays	Vanadium Oxide Uncooled Focal Plane Arrays
Field of View	12.42° × 9.95° (H × V)	8.3° × 6.64° (H × V)

THERMAL & OPTICAL NETWORK BULLET CAMERA



Short Description	Thermal & Optical Network Bullet Camera	Thermal & Optical Network Bullet Camera	Thermal & Optical Network Bullet Camera	Thermal & Optical Network Bullet Camera	Thermal & Optical Network Bullet Camera
Model	DS-2TD2617-3/V1	DS-2TD2617-6/V1	DS-2TD2636-10/15	DS-2TD2836-25/50/V1	DS-2TD2866-25/V1
Max. Resolution	160 × 120 (the resolution of output image is 320 × 240)	160 × 120 (the resolution of output image is 320 × 240)	384 × 288	384 × 288	640 × 512
Pixel Interval	17µm	17µm	17µm	17 µm	17 µm
Response waveband	8µm to 14µm	8µm to 14µm	8µm to 14µm	8 µm to 14 µm	8 µm to 14 µm
NETD	less than 40 mk (@25°C,F#=1.1)	less than 40 mk (@25°C,F#=1.1)	less than 40 mk (@25°C,F#=1.0)	less than 40 mk (@25°C,F#=1.0)	less than 40 mk (@25°C,F#=1.0)
Thermal Module Lens(Focal Length)	3.1 mm	6.2 mm	10 mm	25 mm	25 mm
MRAD	5.48 mrad	2.74 mrad	1.70 mrad	0.68 mrad	0.68 mrad
Min.Focusing distance	0.2 m	0.6 m	1.0 m	13 m	13 m
Aperture	F1.1	F1.1	F1.0	F 1.0	F 1.0
Optical Module Lens(Focal Length)		6 mm	6 mm	13 mm	7 mm
Bi-Spectrum image fusion		Fusion view of thermal view and overlaid details of the optical channel	Fusion view of thermal view and overlaid details of the optical channel	Fusion view of thermal view and overlaid details of the optical channel	Fusion view of thermal view and overlaid details of the optical channel
Picture in Picture		Combins details of thermal and optical image PIP, overlay thermal image on optical images	Combins details of thermal and optical image PIP, overlay thermal image on optical image	Combins details of thermal and optical image PIP, overlay thermal image on optical image	Combins details of thermal and optical image PIP, overlay thermal image on optical image
VCA Video content anylasis)	4 VCA rule types (Line Crossing, Intrusion, Region Entrance, and Region Exiting), up to 8 VCA rules.	4 VCA rule types (Line Crossing, Intrusion, Region Entrance, and Region Exiting), up to 8 VCA rules.	4 VCA rule types (Line Crossing, Intrusion, Region Entrance, and Region Exiting), up to 8 VCA rules.	4 VCA rule types (Line Crossing, Intrusion, Region Entrance, and Region Exiting), up to 8 VCA rules.	4 VCA rule types (Line Crossing, Intrusion, Region Entrance, and Region Exiting), up to 8 VCA rules.
Temperature Measurement	3 temperature measurement rule types, 21 rules (10 points, 10 areas, and 1 line).	3 temperature measurement rule types, 21 rules (10 points, 10 areas, and 1 line).	3 temperature measurement rule types, 21 rules (10 points, 10 regions, and 1 line).	3 temperature measurement rule types, 21 rules (10 points, 10 regions, and 1 line).	3 temperature measurement rule types, 21 rules (10 points, 10 regions, and 1 line).
Temperature Range	-20 °C to +150 °C (-4 °F to +302°F)	-20 °C to +150 °C (-4 °F to +302°F)	-20 °C to +150 °C (-4 °F to +302°F)	-20 °C to +150 °C (-4 °F to +302°F)	-20 °C to +150 °C (-4 °F to +302°F)
Temperature accuracy	± 8 °C (± 14.4 °F)	± 8 °C (± 14.4 °F)	± 8 °C (± 14.4 °F)	±8 (±14.4°F)	±8 (±14.4°F)
Fire Detection	Dynamic fire point detection, up to 10 fire points detectable.	Dynamic fire point detection, up to 10 fire points detectable.	Dynamic fire point detection, up to 10 fire points detectable.	Dynamic fire point detection, up to 10 fire points detectable.	Dynamic fire point detection, up to 10 fire points detectable.
Image Sensor	Vanadium Oxide Uncooled Focal Plane Arrays	Vanadium Oxide Uncooled Focal Plane Arrays	Vanadium Oxide Uncooled Focal Plane Arrays	Vanadium Oxide Uncooled Focal Plane Arrays	Vanadium Oxide Uncooled Focal Plane Arrays
Field of View	50° × 37.2° (H × V)	25° × 18.7° (H × V)	37.7° × 28.7° (H × V)	14.88° × 11.19° (H × V)	24.55° × 19.75° (H × V)

HANDHELD OBSERVATIONAL THERMAL MONOCULAR



Short Description	Handheld Observational Thermal Monocular	Handheld Observational Thermal Monocular
Model	DS-2TS03-25UF/W	DS-2TS03-35UF/W
Thermal Module Image Sensor	Uncooled Focal Plane Arrays	Uncooled Focal Plane Arrays
Pixel Interval		
Response waveband	8μm to 14μm	8μm to 14μm
NETD	less than 35 mk (@25°C),	less than 35 mk (@25°C),
Lens(Focal Length)	25mm	35mm, Manual Focus
MRAD	0,68	0,49
Field of View	14.88° × 11.19° (H × V)	10.66° × 8°
Aperture	F#=1.0	F#=1.0
Digital zoom		
Optical Module Image Sensor		
Min. Illumination		
Monitor	0.39-inch, OLED, 1024 × 768	0.39-inch, OLED, 1024 × 768
Palettes	Black hot White hot Red hot	Black hot White hot Red hot
Hot track	Yes	Yes
Object Highlight		
Cursor Display		
WIFI	Support	Support
Storage	Built-in memory module (16GB)	Built-in memory module (16GB)
Digital Zoom	2×	2×
Capture Snapshot	Support	Support
Record Video	Support on-board video / image recording	Support on-board video / image recording
GPS	Support	Support
Battery Operating Time	Up to five hours continuous running (with GPS function and Wi-Fi hot spot function off)	Up to five hours continuous running (with GPS function and Wi-Fi hot spot function off)
Power	5V DC/2A, 2W	5V DC/2A, 2W

HANDHELD THERMOGRAPHY CAMERA

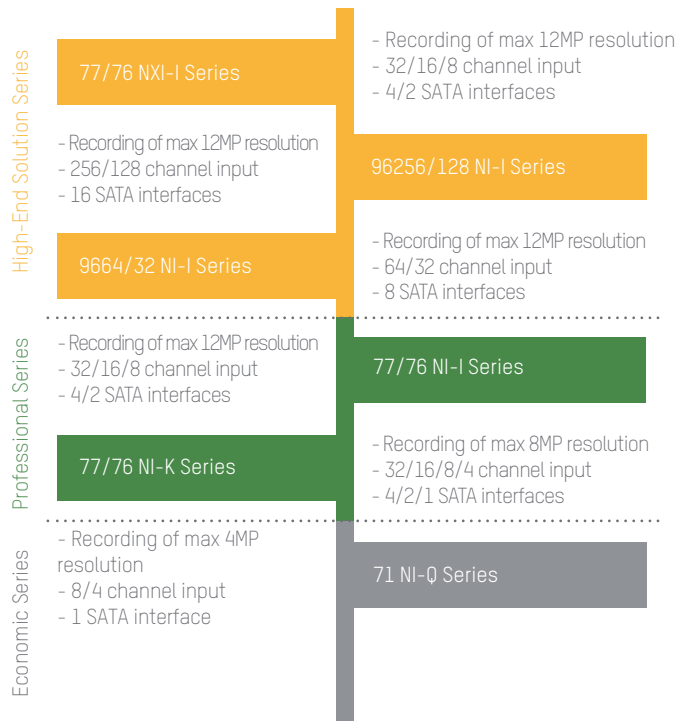


Short Description	Handheld Thermography Camera	Handheld Thermography Camera
Model	DS-2TP23-10VM/W	DS-2TP31-03AUF
Image Sensor	Uncooled Focal Plane Arrays	Uncooled Focal Plane Arrays
Thermal Module Max. Resolution	25Hz: 384 × 288	160 × 120
Pixel Interval	17μm	17μm
Response waveband	8μm to 14μm	8μm to 14μm
NETD	< 40mk (@ 25 °C,F#=1.0)	< 40mk (@ 25 °C,F#=1.0)
Lens(Focal Length)	10 mm (Manual focus)	≥ 3.1 mm
Field of View	37.5° × 28.5 °	37.2° × 50 °
Aperture	F 1.0	F 1.1
Optical Module Max. Resolution	1920 × 1080	320 × 240 resolution 2.4" LCD display
Picture Resolution	Display: 384*288; Capture: 1920 × 1080	
Video Resolution	Display: 384*288; Record:1920 × 1080	
Monitor	640 × 480 resolution 3.5" LCD touch display	
Palettes	Black hot, White hot, Red hot, Rainbow, Ironbow, Fusion, Rain	
Digital Zoom	Thermal: 1×, 2×, 4×	
Thermal / Optical	Thermal/Optical/Fusion image/Picture in picture	
Picture in Picture	Support Thermal View in Optical View	
Fusion	Support (Thermal View and Optical View Combined)	
Record Video	Support on-board video recording	
Thermometry Range	-20 °C to 550 °C [-4 °F to 1022 °F]	-20 °C to 550 °C [-4 °F to 1022 °F]
Thermometry Accuracy	Max (±2 °C, ±2%)	Max (±2 °C, ±2%)
Rules	Max. Temperature; Min. Temperature; Center Temperature; Custom Point/Line/Area Thermometry	3 thermometry points: Max. Temperature; Min. Temperature; Center Temperature
Battery Operating Time	Four hours continuous running	8 hours continuous running
Laser Light	Support (Point to the thermography target)	Support (Point to the thermography target)
Storage	Built-in memory module (64G)	Replaceable memory card (default 8G, support up to 128G storage)
Photo	Thermal/Optical/Fusion image	Thermal image

IP NETWORK VIDEO RECORDERS (NVRS)

Hikvision offers a wide range of NVRs, from the 8-channel Economic Series, through the 16/32 channels Project Series and onto the high-end Solution Series. They offer IP camera monitoring, recording and playback, whatever the requirement.

GENERAL NVR PRODUCT LINE



1U CHASSIS



1.5U CHASSIS



Short Description	DS-7600NI-I2/P SERIES NVR	DS-7600NXI-I/P/S AcuSense SERIES NVR	DS-7700NI-K4 SERIES NVR	DS-7700NI-I4 SERIES NVR
Model	DS-7608NI-I2/8P	DS-7616NXI-I2/16P/4S	DS-7700NI-K4	DS-7716NI-I4
IP video input	8-ch	16-ch	16-ch	16-ch
Incoming bandwidth	80 Mbps	160 Mbps	160 Mbps	160 Mbps
Outgoing bandwidth	256 Mbps	256 Mbps	160 Mbps	256 Mbps
Recording resolution	12MP/8MP/6MP/5MP/4MP/3MP/1080p/UXGA/720p/VGA/4CIF/DCIF/2CIF/CIF/QCIF	12 MP/8 MP/6 MP/5 MP/4 MP/3 MP/1080p/UXGA/720p/VGA/4CIF/DCIF/2CIF/CIF/QCIF	8MP/6MP/5MP/4MP/3MP/1080p/UXGA/720p/VGA/4CIF/DCIF/2CIF/CIF/QCIF	12MP/8MP/6MP/5MP/4MP/3MP/1080p/UXGA/720p/VGA/4CIF/DCIF/2CIF/CIF/QCIF
HDMI output	4K (3840 × 2160)/60Hz, 4K (3840 × 2160)/30Hz, 2K (2560 × 1440)/60Hz, 1920 × 1080p/60Hz, 1600 × 1200/60Hz, 1280 × 1024/60Hz, 1280 × 720/60Hz, 1024 × 768/60Hz	4K (3840 × 2160)/30Hz, 1920 × 1080/60Hz, 1600 × 1200/60Hz, 1280 × 1024/60Hz, 1280 × 720/60Hz, 1024 × 768/60Hz 4K resolution is only available for HDMI.	4K (3840 × 2160)/30Hz, 2K (2560 × 1440)/60Hz, 1920 × 1080/60Hz, 1600 × 1200/60Hz, 1280 × 1024/60Hz, 1280 × 720/60Hz, 1024 × 768/60Hz	4K (3840 × 2160)/60Hz, 4K (3840 × 2160)/30Hz, 1920 × 1080p/60Hz, 1600 × 1200/60Hz, 1280 × 1024/60Hz, 1280 × 720/60Hz, 1024 × 768/60Hz
VGA output	1920 × 1080p/60Hz, 1280 × 1024/60Hz, 1280 × 720/60Hz, 1024 × 768/60Hz	1920 × 1080/60Hz, 1600 × 1200/60Hz, 1280 × 1024/60Hz, 1280 × 720/60Hz, 1024 × 768/60Hz	1920 × 1080/60Hz, 1280 × 1024/60Hz, 1280 × 720/60Hz, 1024 × 768/60Hz	1920 × 1080p/60Hz, 1280 × 1024/60Hz, 1280 × 720/60Hz, 1024 × 768/60Hz
Audio output	1-ch, RCA (Linear, 1 KΩ)	1-ch, RCA (Linear, 1 KΩ)	1-ch, RCA (Linear, 1 KΩ)	1-ch, RCA (Linear, 1 KΩ)
Decoding format	H.265/H.265+/H.264/H.264+/MPEG4	H.265/H.265+/H.264/H.264+/MPEG4	H.265/H.265+/H.264+/H.264/MPEG4	H.265/H.265+/H.264/H.264+/MPEG4
Capability	2-ch @ 8 MP, or 8-ch @ 1080p	12-ch @ 1080p	2-ch @ 8 MP (25fps) / 4-ch @ 4MP (30fps) / 8-ch @ 1080p (30fps)	4-ch @ 4K, or 16-ch @ 1080p
SATA	2 SATA interfaces for 2 HDDs	2 SATA interfaces for four 3.5-inch HDDs	4 SATA interfaces for 4 HDDs	4 SATA interfaces for 4 HDDs
Capacity	Up to 6TB capacity for each HDD	Up to 8 TB capacity for each HDD	Up to 6TB capacity for each HDD	Up to 6TB capacity for each HDD
Network interface	1 RJ-45 10/100/1000 Mbps self-adaptive Ethernet interface	1, RJ-45 10/100/1000 Mbps self-adaptive Ethernet interface	2 RJ-45 10/100/1000 Mbps self-adaptive Ethernet interfaces	2 RJ-45 10/100/1000 Mbps self-adaptive Ethernet interfaces
USB interface	Front panel: 1 × USB 2.0; Rear panel: 1 × USB 3.0	Front panel: 1 × USB 2.0; Rear panel: 1 × USB 3.0	Front panel: 2 × USB 2.0; Rear panel: 1 × USB 3.0	Front panel: 2 × USB 2.0; Rear panel: 1 × USB 3.0
Alarm in/out	4/1	4/1	16/4	16/4
Power supply	100 to 240 VAC, 50 to 60 Hz	100 to 240 VAC	100 to 240 VAC	100 to 240 VAC
Consumption(without hard disk or DVD-R/W)	≤15 W	≤ 15 W	≤ 20 W	≤20 W
Working temperature	-10 to +55° C (+14 to +131° F)	-10 to +55° C (+14 to +131° F)	-10 to +55° C (14 to 131° F)	-10 to +55° C (+14 to +131° F)
Working humidity	10 to 90 %	10 to 90 %	10 to 90 %	10 to 90 %
Dimensions(W × D × H)	385 × 315 × 52 mm (15.2" × 12.4" × 2.0")	380 × 315 × 51.5 mm (15.0" × 12.4" × 2.0")	445 × 400 × 71 mm (17.5" × 15.7" × 2.8")	445 × 400 × 71 mm (17.5" × 15.7" × 2.8")



Short Description	DS-7700NI-I4/P SERIES NVR	DS-7700NI-K4/P SERIES NVR	DS-7700NXI-I/P/S SERIES NVR	DS-7700NI-I4 SERIES NVR
Model	DS-7716NI-I4/16P	DS-7716NI-K4/16P	DS-7716NXI-I4/16P/4S	DS-7732NI-I4
IP video input	16-ch	16-ch	16-ch	32-ch
Incoming bandwidth	160 Mbps	160 Mbps	256 Mbps	256 Mbps
Outgoing bandwidth	256 Mbps	160 Mbps	200 Mbps	256 Mbps
Recording resolution	12MP/8 MP/6MP/5 MP/4MP/3MP/1080p/UXGA/720p/VGA/4CIF/DCIF/2CIF/CIF/QCIF	8MP/6MP/5MP/4MP/3MP/1080p/UXGA/720p/VGA/4CIF/DCIF/2CIF/CIF/QCIF	12 MP/8 MP/6 MP/5 MP/4 MP/3 MP/1080p/UXGA/720p/VGA/4CIF/DCIF/2CIF/CIF/QCIF	12MP/8MP/6MP/5MP/4MP/3MP/1080p/UXGA/720p/VGA/4CIF/DCIF/2CIF/CIF/QCIF
HDMI output	4K (3840 × 2160)/60Hz, 4K (3840 × 2160)/30Hz, 1920 × 1080p/60Hz, 1600 × 1200/60Hz, 1280 × 1024/60Hz, 1280 × 720/60Hz, 1024 × 768/60Hz	4K (3840 × 2160)/30Hz, 2K (2560 × 1440)/60Hz, 1920 × 1080/60Hz, 1600 × 1200/60Hz, 1280 × 1024/60Hz, 1280 × 720/60Hz, 1024 × 768/60Hz	4K (3840 × 2160)/30Hz, 1920 × 1080/60Hz, 1600 × 1200/60Hz, 1280 × 1024/60Hz, 1280 × 720/60Hz, 1024 × 768/60Hz 4K resolution is only available for HDMI.	4K (3840 × 2160)/60Hz, 4K (3840 × 2160)/30Hz, 1920 × 1080p/60Hz, 1600 × 1200/60Hz, 1280 × 1024/60Hz, 1280 × 720/60Hz, 1024 × 768/60Hz
VGA output	1920 × 1080p/60Hz, 1280 × 1024/60Hz, 1280 × 720/60Hz, 1024 × 768/60Hz	1920 × 1080/60Hz, 1280 × 1024/60Hz, 1280 × 720/60Hz, 1024 × 768/60Hz	1920 × 1080/60Hz, 1600 × 1200/60Hz, 1280 × 1024/60Hz, 1280 × 720/60Hz, 1024 × 768/60Hz	1920 × 1080p/60Hz, 1280 × 1024/60Hz, 1280 × 720/60Hz, 1024 × 768/60Hz
Audio output	1-ch, RCA (Linear, 1 K Ω)	1-ch, RCA (Linear, 1 K Ω)	1-ch, RCA (Linear, 1 K Ω)	1-ch, RCA (Linear, 1 K Ω)
Decoding format	H.265/H.265+/H.264/H.264+/MPEG4	H.265/H.265+/H.264+/H.264/MPEG4	H.265/H.265+/H.264/H.264+/MPEG4	H.265/H.265+/H.264/H.264+/MPEG4
Capability	4-ch @ 4K, or 16-ch @ 1080p	2-ch @ 8 MP (25fps) / 4-ch @ 4MP (30fps) / 8-ch @ 1080p (30fps)	12-ch @ 1080p	4-ch @ 4K, or 16-ch @ 1080p
SATA	4 SATA interfaces for 4 HDDs	4 SATA interfaces for 4 HDDs	4 SATA interfaces for four 3.5-inch HDDs	4 SATA interfaces for 4 HDDs
Capacity	Up to 6TB capacity for each HDD	Up to 6TB capacity for each HDD	Up to 8 TB capacity for each HDD	Up to 6TB capacity for each HDD
Network interface	1 RJ-45 10/100/1000 Mbps self-adaptive Ethernet interface	2 RJ-45 10/100/1000 Mbps self-adaptive Ethernet interfaces	1, RJ-45 10/100/1000 Mbps self-adaptive Ethernet interface	2 RJ-45 10/100/1000 Mbps self-adaptive Ethernet interfaces
USB interface	Front panel: 2 × USB 2.0; Rear panel: 1 × USB 3.0	Front panel: 2 × USB 2.0; Rear panel: 1 × USB 3.0	Front panel: 2 × USB 2.0; Rear panel: 1 × USB 3.0	Front panel: 2 × USB 2.0; Rear panel: 1 × USB 3.0
Alarm in/out	16/4	16/4	16/4	16/4
Power supply	100 to 240 VAC	100 to 240 VAC	100 to 240 VAC	100 to 240 VAC
Consumption(without hard disk or DVD-R/W)	≤20 W	≤ 20 W	≤ 300 W	≤20 W
Working temperature	-10 to +55° C (+14 to +131° F)	-10 to +55°C (14 to 131°F)	-10 to +55° C (+14 to +131° F)	-10 to +55° C (+14 to +131° F)
Working humidity	10 to 90 %	10 to 90 %	10 to 90 %	10 to 90 %
Dimensions(W × D × H)	445 × 400 × 71 mm (17.5" × 15.7" × 2.8")	445 × 400 × 71 mm (17.5" × 15.7" × 2.8")	445 × 400 × 71 mm (17.5" × 15.7" × 2.8")	445 × 400 × 71 mm (17.5" × 15.7" × 2.8")



NEW



AcuSense



AcuSense

Short Description	DS-7700NI-I4 SERIES NVR	DS-7700NI-I4/P(B) SERIES NVR	DS-7700NXI-I/P/S AcuSense SERIES NVR	DS-7700NXI-I/S SERIES NVR
Model	DS-7732NI-I4(B)	DS-7732NI-I4/16P(B)	DS-7732NXI-I4/16P/4S	DS-7732NXI-I4/4S
IP video input	32-ch	32-ch	32-ch	32-ch
Incoming bandwidth	80 Mbps	256 Mbps		256 Mbps
Outgoing bandwidth	256 Mbps	256 Mbps	200 Mbps	200 Mbps
Recording resolution	12MP/8MP/6 MP/5 MP/4MP/3MP/1080p/UXGA/720p/VGA/4CIF/DCIF/2CIF/CIF/F/4CIF	12MP/8 MP/6MP/5 MP/4MP/3MP/1080p/UXGA/720p/VGA/4CIF/DCIF/2CIF/CIF/4CIF	12 MP/8 MP/6 MP/5 MP/4 MP/3MP/1080p/UXGA/720p/VGA/4CIF/DCIF/2CIF/CIF/4CIF	12 MP/8 MP/6 MP/5 MP/4 MP/3 MP/1080p/UXGA/720p/VGA/4CIF/DCIF/2CIF/CIF/4CIF
HDMI output	4K (3840 × 2160)/60Hz, 4K (3840 × 2160)/30Hz, 1920 × 1080p/60Hz, 1600 × 1200/60Hz, 1280 × 1024/60Hz, 1280 × 720/60Hz, 1024 × 768/60Hz	4K (3840 × 2160)/60Hz, 4K (3840 × 2160)/30Hz, 1920 × 1080p/60Hz, 1600 × 1200/60Hz, 1280 × 1024/60Hz, 1280 × 720/60Hz, 1024 × 768/60Hz	4K (3840 × 2160)/60 Hz, 4K (3840 × 2160)/30 Hz, 2K (1920 × 1080p/60 Hz), 1600 × 1200/60 Hz, 1280 × 1024/60 Hz, 1280 × 720/60Hz, 1024 × 768/60 Hz	4K (3840 × 2160)/30Hz, 1920 × 1080/60Hz, 1600 × 1200/60Hz, 1280 × 1024/60Hz, 1280 × 720/60Hz, 1024 × 768/60Hz 4K resolution is only available for HDMI.
VGA output	2K (2560×1440)/60Hz, 1920 × 1080p/60Hz, 1280 × 1024/60Hz, 1280 × 720/60Hz, 1024 × 768/60Hz, HDMI1/VGA Simultaneous Output	1920 × 1080p/60Hz, 1280 × 1024/60Hz, 1280 × 720/60Hz, 1024 × 768/60Hz	1920 × 1080p/60 Hz, 1280 × 1024/60 Hz, 1280 × 720/60 Hz, 1024 × 768/60 Hz	1920 × 1080/60Hz, 1600 × 1200/60Hz, 1280 × 1024/60Hz, 1280 × 720/60Hz, 1024 × 768/60Hz
Audio output	1-ch, RCA (Linear, 1 KΩ)	1-ch, RCA (Linear, 1 KΩ)	1-ch, RCA (Linear, 1 KΩ)	1-ch, RCA (Linear, 1 KΩ)
Decoding format	H.265/H.265+/H.264/H.264+/MPEG4	H.265/H.265+/H.264/H.264+/MPEG4	H.265/H.265+/H.264/H.264+/MPEG4	H.265/H.265+/H.264/H.264+/MPEG4
Capability	2-ch @ 12 MP (20fps) / 4-ch @ 8 MP (25fps) / 8-ch @ 4MP (30fps) / 16-ch @ 1080p (30fps)	2-ch @ 12 MP (20fps) / 4-ch @ 8 MP (25fps) / 8-ch @ 4MP (30fps) / 16-ch @ 1080p (30fps)	2-ch @ 12 MP (20fps) / 4-ch @ 8 MP (25fps) / 8-ch @ 4MP (30fps) / 12-ch @ 1080p (30fps)	12-ch @ 1080p
SATA	4 SATA interfaces for 4 HDDs	4 SATA interfaces for 4 HDDs	4 SATA interfaces for 4HDDs	4 SATA interfaces for four 3.5-inch HDDs
Capacity	Up to 8TB capacity for each HDD	Up to 8 TB capacity for each HDD	Up to 6TB capacity for each HDD	Up to 8 TB capacity for each HDD
Network interface	2 RJ-45 10/100/1000 Mbps self-adaptive Ethernet interfaces	1 RJ-45 10/100/1000 Mbps self-adaptive Ethernet interface	1, RJ-45 10/100/1000 Mbps self-adaptive Ethernet interface	2, RJ-45 10/100/1000 Mbps self-adaptive Ethernet interface
USB interface	Front panel: 2 × USB 2.0; Rear panel: 1 × USB 3.0	Front panel: 2 × USB 2.0; Rear panel: 1 × USB 3.0	Front panel: 2 × USB 2.0; Rear panel: 1 × USB 3.0	Front panel: 2 × USB 2.0; Rear panel: 1 × USB 3.0
Alarm in/out	16/4	16/4 (16/8 optional)	16/8	16/4
Power supply	100 to 240 VAC	100 to 240 VAC	100 to 240 VAC	100 to 240 VAC
Consumption(without hard disk or DVD-R/W)	≤20 W	≤20 W	≤30 W	≤ 80 W
Working temperature	-10 to +55° C (+14 to +131° F)	-10 to +55° C (+14 to +131° F)	-10 to +55° C (+14 to +131° F)	-10 to +55° C (+14 to +131° F)
Working humidity	10 to 90 %	10 to 90 %	10 to 90 %	10 to 90 %
Dimensions(W × D × H)	445 × 400 × 71 mm (17.5" × 15.7" × 2.8")	445 × 400 × 71 mm (17.5" × 15.7" × 2.8")	445 × 400 × 71 mm (17.5" × 15.7" × 2.8")	445 × 400 × 71 mm (17.5" × 15.7" × 2.8")

1U CHASSIS

Short Description	DS-7600NI-K1 Series NVR	DS-7600NI-K1/4P SERIES NVR	DS-7600NI-K1 Series NVR	DS-7600NI-K2 SERIES NVR
Model	DS-7600NI-K1(Ban)	DS-7600NI-K1/4P(Ban)	DS-7608NI-K1(B)	DS-7608NI-K2
IP video input	4-ch	4-ch	8-ch	8-ch
Incoming bandwidth	40 Mbps	40 Mbps	80 Mbps	80 Mbps
Outgoing bandwidth	80 Mbps	80 Mbps	80 Mbps	160 Mbps
Recording resolution	8MP/6MP/5MP/4MP/3MP/1080p/UXGA/720p/VGA/4CIF/DCIF/2CIF/CIF/QCIF	8MP/6MP/5MP/4MP/3MP/1080p/UXGA/720p/VGA/4CIF/DCIF/2CIF/CIF/QCIF	8MP/6MP/5MP/4MP/3MP/1080p/UXGA/720p/VGA/4CIF/DCIF/2CIF/CIF/QCIF	8MP/6MP/5MP/4MP/3MP/1080p/UXGA/720p/VGA/4CIF/DCIF/2CIF/CIF/QCIF
HDMI output	4K (3840 × 2160)/30Hz, 1920 × 1080/60Hz, 1600 × 1200/60Hz, 1280 × 1024/60Hz, 1280 × 720/60Hz, 1024 × 768/60Hz	4K (3840 × 2160)/30Hz, 1920 × 1080/60Hz, 1600 × 1200/60Hz, 1280 × 1024/60Hz, 1280 × 720/60Hz, 1024 × 768/60Hz	1-ch, 4K (3840 × 2160)/30Hz, 1920 × 1080p/60Hz, 1600 × 1200/60Hz, 1280 × 1024/60Hz, 1280 × 720/60Hz, 1024 × 768/60Hz	4K (3840 × 2160)/30Hz, 2K (2560 × 1440)/60Hz, 1920 × 1080/60Hz, 1600 × 1200/60Hz, 1280 × 1024/60Hz, 1280 × 720/60Hz, 1024 × 768/60Hz
VGA output	1920 × 1080/60Hz, 1600 × 1200/60Hz, 1280 × 1024/60Hz, 1280 × 720/60Hz, 1024 × 768/60Hz	1920 × 1080/60Hz, 1600 × 1200/60Hz, 1280 × 1024/60Hz, 1280 × 720/60Hz, 1024 × 768/60Hz	1-ch, 1920 × 1080p/60Hz, 1280 × 1024/60Hz, 1280 × 720/60Hz, 1024 × 768/60Hz	1920 × 1080/60Hz, 1280 × 1024/60Hz, 1280 × 720/60Hz, 1024 × 768/60Hz
Audio output	1-ch, RCA (Linear, 1 KΩ)	1-ch, RCA (Linear, 1 KΩ)	1-ch, RCA (Linear, 1 KΩ)	1-ch, RCA (Linear, 1 KΩ)
Decoding format	H.265/H.264/H.264+	H.265/H.264/H.264+	H.265/H.265+/H.264/H.264+/MPEG4	H.265/H.265+/H.264/H.264+/MPEG4
Capability	2-ch @ 4 MP (30fps)	2-ch @ 4 MP (30fps)	1-ch @ 8 MP / 4-ch @ 1080p	2-ch @ 8 MP (25fps) / 4-ch @ 4MP (30fps) / 8-ch @ 1080p (30fps)
SATA	1 SATA interface for 1 HDD	1 SATA interface for 1 HDD	1 SATA interface	2 SATA interfaces for 2 HDDs
Capacity	Up to 6TB capacity for each disk	Up to 6TB capacity for each disk	Up to 6TB capacity for each disk	Up to 6TB capacity for each HDD
Network interface	1 RJ-45 100 Mbps full-duplex Ethernet interface	1 RJ-45 100 Mbps full-duplex Ethernet interface	1, RJ-45 10/100/1000 Mbps self-adaptive Ethernet interface	1, RJ-45 10/100/1000 Mbps self-adaptive Ethernet interface
USB interface	Front panel: 1 × USB 2.0; Rear panel: 1 × USB 2.0	Front panel: 1 × USB 2.0; Rear panel: 1 × USB 2.0	2 × USB 2.0	Front panel: 1 × USB 2.0; Rear panel: 1 × USB 3.0
Alarm in/out				4/1
Power supply	48 VDC	48 VDC	12 VDC, ≤ 18W	12 VDC
Consumption(without hard disk or DVD-R/W)	≤ 10 W	≤ 10 W	≤ 10 W	≤ 15 W
Working temperature	-10 to +55°C (14 to 131°F)	-10 to +55°C (14 to 131°F)	-10 to +55° C (+14 to +131° F)	-10 to +55°C (14 to 131°F)
Working humidity	10 to 90 %	10 to 90 %	10 to 90 %	10 to 90 %
Dimensions(W × D × H)	315 × 240 × 48 mm (12.4" × 9.4" × 1.9")	315 × 240 × 48 mm (12.4" × 9.4" × 1.9")	315 × 240 × 48 mm (12.4" × 9.4" × 1.9")	385 × 315 × 52 mm (15.2" × 12.4" × 2.0")

Short Description	DS-7600NI-K2/P SERIES NVR	DS-7600NI-K1 Series NVR	DS-7600NI-K2 SERIES NVR	DS-7600NI-K2/P SERIES NVR
Model	DS-7608NI-K2/8P	DS-7616NI-K1(B)	DS-7616NI-K2	DS-7616NI-K2/16P
IP video input	8-ch	16-ch	16-ch	16-ch
Incoming bandwidth	80 Mbps	160 Mbps	160 Mbps	160 Mbps
Outgoing bandwidth	160 Mbps	80 Mbps	160 Mbps	160 Mbps
Recording resolution	8MP/6MP/5MP/4MP/3MP/1080p/UXGA/720p/VGA/4CIF/D CIF/2CIF/CIF/QCIF	8MP/6MP/5MP/4MP/3MP/1080p/UXGA/720p/VGA/4CIF/ DCIF/2CIF/CIF/QCIF	8MP/6MP/5MP/4MP/3MP/1080p/UXGA/720p/VGA/4CIF/ DCIF/2CIF/CIF/QCIF	8MP/6MP/5MP/4MP/3MP/1080p/UXGA/720p/VGA/4CIF/ DCIF/2CIF/CIF/QCIF
HDMI output	4K (3840 × 2160)/30Hz, 2K (2560 × 1440)/60Hz, 1920 × 1080/60Hz, 1600 × 1200/60Hz, 1280 × 1024/60Hz, 1280 × 720/60Hz, 1024 × 768/60Hz	1-ch, 4K (3840 × 2160)/30Hz, 1920 × 1080p/60Hz, 1600 × 1200/60Hz, 1280 × 1024/60Hz, 1280 × 720/60Hz, 1024 × 768/60Hz	4K (3840 × 2160)/30Hz, 2K (2560 × 1440)/60Hz, 1920 × 1080/60Hz, 1600 × 1200/60Hz, 1280 × 1024/60Hz, 1280 × 720/60Hz, 1024 × 768/60Hz	4K (3840 × 2160)/30Hz, 2K (2560 × 1440)/60Hz, 1920 × 1080/60Hz, 1600 × 1200/60Hz, 1280 × 1024/60Hz, 1280 × 720/60Hz, 1024 × 768/60Hz
VGA output	1920 × 1080/60Hz, 1280 × 1024/60Hz, 1280 × 720/60Hz, 1024 × 768/60Hz	1-ch, 1920 × 1080p/60Hz, 1280 × 1024/60Hz, 1280 × 720/60Hz, 1024 × 768/60Hz	1920 × 1080/60Hz, 1280 × 1024/60Hz, 1280 × 720/60Hz, 1024 × 768/60Hz	1920 × 1080/60Hz, 1280 × 1024/60Hz, 1280 × 720/60Hz, 1024 × 768/60Hz
Audio output	1-ch, RCA (Linear, 1 KΩ)	1-ch, RCA (Linear, 1 KΩ)	1-ch, RCA (Linear, 1 KΩ)	1-ch, RCA (Linear, 1 KΩ)
Decoding format	H.265/H.265+/H.264/H.264+/MPEG4	H.265/H.265+/H.264/H.264+/MPEG4	H.265/H.265+/H.264/H.264+/MPEG4	H.265/H.265+/H.264/H.264+/MPEG4
Capability	2-ch @ 8 MP (25fps) / 4-ch @ 4MP (30fps) / 8-ch @ 1080p (30fps)	1-ch @ 8 MP / 4-ch @ 1080p	2-ch @ 8 MP (25fps) / 4-ch @ 4MP (30fps) / 8-ch @ 1080p (30fps)	2-ch @ 8 MP (25fps) / 4-ch @ 4MP (30fps) / 8-ch @ 1080p (30fps)
SATA	2 SATA interfaces for 2 HDDs	1 SATA interface	2 SATA interfaces for 2 HDDs	2 SATA interfaces for 2 HDDs
Capacity	Up to 6TB capacity for each HDD	Up to 6TB capacity for each disk	Up to 6TB capacity for each HDD	Up to 6TB capacity for each HDD
Network interface	1 RJ-45 10/100/1000 Mbps self-adaptive Ethernet interface	1, RJ-45 10/100/1000 Mbps self-adaptive Ethernet interface	1, RJ-45 10/100/1000 Mbps self-adaptive Ethernet interface	1 RJ-45 10/100/1000 Mbps self-adaptive Ethernet interface
USB interface	Front panel: 1 × USB 2.0; Rear panel: 1 × USB 3.0	2 × USB 2.0	Front panel: 1 × USB 2.0; Rear panel: 1 × USB 3.0	Front panel: 1 × USB 2.0; Rear panel: 1 × USB 3.0
Alarm in/out	4/1		4/1	4/1
Power supply	100 to 240 VAC	12 VDC, ≤ 18W	12 VDC	100 to 240 VAC
Consumption(without hard disk or DVD-R/W)	≤ 15 W	≤ 10 W	≤ 15 W	≤ 15 W
Working temperature	-10 to +55° C (14 to 131° F)	-10 to +55° C (+14 to +131° F)	-10 to +55° C (14 to 131° F)	-10 to +55° C (14 to 131° F)
Working humidity	10 to 90 %	10 to 90 %	10 to 90 %	10 to 90 %
Dimensions(W × D × H)	385 × 315 × 52 mm (15.2" × 12.4" × 2.0")	315 × 240 × 48 mm (12.4" × 9.4" × 1.9")	385 × 315 × 52 mm (15.2" × 12.4" × 2.0")	385 × 315 × 52 mm (15.2" × 12.4" × 2.0")



H.265+ GREAT PERFORMANCE

LOW BANDWIDTH

Hikvision lifts video surveillance to an unprecedented level with its H.265+ codec. In Full HD mode, H.265+ uses less than 20% of the bandwidth of H.264, allowing for live streams of unrivalled quality.

MINIMUM STORAGE

H.265+ also greatly outperforms all its predecessors in terms of storage. Regardless of environment or application, H.265+ reduces the required storage space by more than 80%.

In short, H.265+ allows you to kill two birds with one stone: you can now record images at amazingly high resolutions and minimize the required storage capacity. This makes H.265+ the ideal solution for 24-hour surveillance!

DIGITAL VIDEO RECORDERS (DVRs)

Because Hikvision realises that not all solutions are based on IP technology, we evolve existing technologies to provide the widest range of products to for all applications. This can be seen in the state-of-the-art DVR products, which offer the best of both worlds.

The products are split into two series to maximise application flexibility: the Project Series, boasting powerful products with a range of feature, including Hikvision's unique H.265+ codec and PoC technology; and the Economic Series, offering reliable technology with a more limited feature set for lower budgets.

DVR SERIES

HGHI-F series	TurboHD 3.0
7100HGHI-F	- Max 720p analogue input - Up to 8 channel
HQHI-K series	TurboHD 4.0
7200HQHI-Kx 7100HQHI-Kx	- Max 3MP analogue input - Up to 16 channel - VCA support
HUHI-K series	TurboHD 4.0
7200HUHI-Kx	- Max 5MP analogue input - Up to 16 channel - VCA support
HTHI-K series	TurboHD 4.0
7200HTHI-Kx	- Max 8MP analogue input - Up to 16 channel - VCA support
iDS-HQHI-K series	TurboHD 5.0
iDS-7200HQHI-Kx	- Max 4MP analogue input - Up to 16 channel - VCA support
iDS-HUHI-K series	TurboHD 5.0
iDS-7200HUHI-Kx iDS-7300HUHI-K4	- Max 8MP analogue input - Up to 8 channel for 72HUHI - Up to 16 channel for 73HUHI - VCA support

1U CHASSIS

NEW

Short Description	DS-7200HQHI-K1 SERIES TURBO HD DVR	DS-7200HQHI-K1 SERIES TURBO HD DVR	DS-7200HQHI-K1 Series Balun DVR
Model	DS-7200HQHI-K1(/A)	DS-7200HQHI-K1(/A)(B)	DS-7200HQHI-K1/B
Video compression	H.265+/H.265/H.264+/H.264	H.265+/H.265/H.264+/H.264	H.265 Pro+/H.265 Pro/H.265/H.264+/H.264
Analog video input	4-ch	4-ch	4-ch
HD-TVI video input	4 MP, 3 MP, 1080p30, 1080p25, 720p60, 720p50, 720p30, 720p25	4 MP, 3 MP, 1080p30, 1080p25, 720p60, 720p50, 720p30, 720p25	4 MP, 3 MP, 1080p30, 1080p25, 720p60, 720p50, 720p30, 720p25 *: The 3 MP signal input is only available for channel 1.
IP video input	1-ch(Up to 4 MP resolution)	1-ch(Up to 4 MP resolution)	2-ch (up to 6-ch),Up to 6 MP resolution
Audio compression	G.711u	G.711u	G.711u
Audio input	1-ch, RCA (2.0 Vp-p, 1 K Ω)	1-ch, RCA (2.0 Vp-p, 1 K Ω)	1-ch, RCA (2.0 Vp-p, 1 K Ω)
Two-way audio in	1-ch, RCA (2.0 Vp-p, 1 K Ω) (using the 1st audio input)	1-ch, RCA (2.0 Vp-p, 1 K Ω) (using the 1st audio input)	1-ch, RCA (2.0 Vp-p, 1 K Ω) (using the first audio input)
HDMI/VGA output	1-ch, 1920 × 1080/60Hz, 1280 × 1024/60Hz, 1280 × 720/60Hz, 1024 × 768/60Hz	1-ch, 1920 × 1080/60Hz, 1280 × 1024/60Hz, 1280 × 720/60Hz, 1024 × 768/60Hz	1-ch, 1920 × 1080/60Hz, 1280 × 1024/60Hz, 1280 × 720/60Hz, 1024 × 768/60Hz
CVBS output	1-ch, BNC (1.0 Vp-p, 75 Ω), resolution: PAL: 704 × 576, NTSC: 704 × 480	1-ch, BNC (1.0 Vp-p, 75 Ω), resolution: PAL: 704 × 576, NTSC: 704 × 480	1-ch, BNC (1.0 Vp-p, 75 Ω), resolution: PAL: 704 × 576, NTSC: 704 × 480
Encoding resolution	When 1080p Lite mode not enabled: 4 MP lite/3 MP/1080p/720p/VGA/WD1/4CIF/CIF; When 1080p Lite mode enabled: 4 MP lite/3 MP/1080p lite/720p lite/VGA/WD1/4CIF/CIF	When 1080p Lite mode not enabled: 4 MP lite/3 MP/1080p/720p/VGA/WD1/4CIF/CIF; When 1080p Lite mode enabled: 4 MP lite/3 MP/1080p lite/720p lite/VGA/WD1/4CIF/CIF	When 1080p Lite mode is not enabled: 4 MP lite/3 MP/1080p/720p/WD1/4CIF/VGA/CIF; When 1080p Lite mode is enabled: 4 MP lite/3 MP/1080p lite/720p lite/WD1/4CIF/VGA/CIF
Video bitrate	32 Kbps to 6 Mbps	32 Kbps to 6 Mbps	32 Kbps to 6 Mbps
Audio output	1-ch, RCA (Linear, 1 K Ω)	1-ch, RCA (Linear, 1 K Ω)	1-ch, RCA (Linear, 1 K Ω)
Audio bitrate	64 Kbps	64 Kbps	64 Kbps
Synchronous playback	4-ch	4-ch	4-ch
SATA	1 SATA interface	1 SATA interface	1 SATA interface
Capacity	Up to 8 TB capacity for each disk	Up to 8 TB capacity for each disk	Up to 10 TB capacity for each disk
Network interface	1, RJ45 10M/100M self-adaptive Ethernet interface	1, RJ45 10M/100M self-adaptive Ethernet interface	1, RJ45 10M/100M self-adaptive Ethernet interface
USB port	2 × USB 2.0	2 × USB 2.0	Rear panel: 2 × USB 2.0
Alarm in/out		4/1	-
Power supply	12 VDC	12 VDC	12 VDC
Working temperature	-10 °C to +55 °C (14 °F to 131 °F)	-10 °C to +55 °C (14 °F to 131 °F)	-10 °C to +55 °C (+14 °F to +131 °F)
Working humidity	10% to 90%	10% to 90%	10% to 90%
Dimensions(W × D × H)	315 × 242 × 45 mm (12.4 × 9.5 × 1.8 inch)	315 × 242 × 45 mm (12.4 × 9.5 × 1.8 inch)	260 × 222 × 45 mm (10.2 × 8.7 × 1.8 inch)

NEW

NEW

Short Description	DS-7200HQHI-K2 SERIES TURBO HD DVR	DS-7200HQHI-K2 SERIES TURBO HD DVR	DS-7204HTHI-K1 SERIES TURBO HD DVR
Model	DS-7200HQHI-K2(/A)	DS-7200HQHI-K2/P	DS-7200HTHI-K1
Video compression	H.265+/H.265/H.264+/H.264	H.265+/H.265/H.264+/H.264	H.265+/H.265/H.264+/H.264
Analog video input	8-ch	8-ch	4-ch
HD-TVI video input	4 MP, 3 MP, 1080p30, 1080p25, 720p60, 720p50, 720p30, 720p25	4 MP, 3 MP, 1080p30, 1080p25, 720p60, 720p50, 720p30, 720p25	8 MP, 5 MP, 4 MP, 3 MP, 1080p30, 1080p25, 720p60, 720p50, 720p30, 720p25
IP video input	2-ch(Up to 4 MP resolution)	2-ch(Up to 4 MP resolution)	2-ch,Up to 8 MP resolution,Supports H.265+/H.265/H.264+/H.264 IP cameras
Audio compression	G.711u	G.711u	G.711u
Audio input	1-ch, RCA (2.0 Vp-p, 1 K Ω)	1-ch, RCA (2.0 Vp-p, 1 K Ω)	4-ch, RCA (2.0 Vp-p, 1 K Ω)
Two-way audio in	1-ch, RCA (2.0 Vp-p, 1 K Ω) (using the 1st audio input)	1-ch, RCA (2.0 Vp-p, 1 K Ω) (using the 1st audio input)	1-ch, RCA (2.0 Vp-p, 1 K Ω) (using the first audio input)
HDMI/VGA output	1-ch, 1920 × 1080/60Hz, 1280 × 1024/60Hz, 1280 × 720/60Hz, 1024 × 768/60Hz	1-ch, 1920 × 1080/60Hz, 1280 × 1024/60Hz, 1280 × 720/60Hz, 1024 × 768/60Hz	VGA: 1-ch, 1920 × 1080/60Hz, 1280 × 1024/60Hz, 1280 × 720/60Hz, 1024 × 768/60Hz HDMI: 1-ch, 4K (3840 × 2160)/30Hz, 2K (2560 × 1440)/60Hz, 1920 × 1080/60Hz, 1280 × 1024/60Hz, 1280 × 720/60Hz, 1024 × 768/60Hz
CVBS output	1-ch, BNC (1.0 Vp-p, 75 Ω), resolution: PAL: 704 × 576, NTSC: 704 × 480	1-ch, BNC (1.0 Vp-p, 75 Ω), resolution: PAL: 704 × 576, NTSC: 704 × 480	1-ch, BNC (1.0 Vp-p, 75 Ω), resolution: PAL: 704 × 576, NTSC: 704 × 480
Encoding resolution	When 1080p Lite mode not enabled: 4 MP lite/3 MP/1080p/720p/VGA/WD1/4CIF/CIF; When 1080p Lite mode enabled: 4 MP lite/3 MP/1080p lite/720p lite/VGA/WD1/4CIF/CIF	When 1080p Lite mode not enabled: 4 MP lite/3 MP/1080p/720p/VGA/WD1/4CIF/CIF; When 1080p Lite mode enabled: 4 MP lite/3 MP/1080p lite/720p lite/VGA/WD1/4CIF/CIF	8 MP/5 MP/4 MP/3 MP/1080p/720p/WD1/4CIF/VGA/CIF
Video bitrate	32 Kbps to 6 Mbps	32 Kbps to 6 Mbps	32 Kbps to 16 Mbps
Audio output	1-ch, RCA (Linear, 1 K Ω)	1-ch, RCA (Linear, 1 K Ω)	1-ch, RCA (Linear, 1 K Ω)
Audio bitrate	64 Kbps	64 Kbps	64 Kbps
Synchronous playback	8-ch	8-ch	4-ch
SATA	2 SATA interface	2 SATA interface	1 SATA interface
Capacity	Up to 8 TB capacity for each disk	Up to 8 TB capacity for each disk	Up to 8 TB capacity for each disk
Network interface	1, RJ45 10M/100M self-adaptive Ethernet interface	1, RJ45 10M/100M self-adaptive Ethernet interface	1, RJ45 10M/100M/1000M self-adaptive Ethernet interface
USB port	2 × USB 2.0	2 × USB 2.0	Front panel: 1 × USB 2.0 Rear panel: 1 × USB 3.0
Alarm in/out	8/4		4/1
Power supply	12 VDC	48 VDC	12 VDC
Working temperature	-10 °C to +55 °C (14 °F to 131 °F)	-10 °C to +55 °C (14 °F to 131 °F)	-10 °C to +55 °C (+14 °F to +131 °F)
Working humidity	10% to 90%	10% to 90%	10% to 90%
Dimensions(W × D × H)	315 × 242 × 45 mm (12.4 × 9.5 × 1.8 inch)	315 × 242 × 45 mm (12.4 × 9.5 × 1.8 inch)	315 × 242 × 45 mm (12.4 × 9.5 × 1.8 inch)



Short Description	DS-7200HTHI-K2 SERIES TURBO HD DVR	DS-7200HUHI-K1 SERIES TURBO HD DVR	DS-7200HUHI-K1/E SERIES TURBO HD DVR
Model	DS-7200HTHI-K2	DS-7200HUHI-K1	DS-7200HUHI-K1/E
Video compression	H.265+/H.265/H.264+/H.264	H.265+/H.265/H.264+/H.264	H.265 Pro+/H.265 Pro/H.265/H.264+/H.264
Analog video input	4-ch	4-ch	8-ch
HD-TVI video input	8 MP, 5 MP, 4 MP, 3 MP, 1080p30, 1080p25, 720p60, 720p50, 720p30, 720p25	5 MP, 4 MP, 3 MP, 1080p30, 1080p25, 720p60, 720p50, 720p30, 720p25	8 MP, 5 MP, 4 MP, 3 MP, 1080p30, 1080p25, 720p60, 720p50, 720p30, 720p25
IP video input	2-ch, Up to 8 MP resolution, Supports H.265+/H.265/H.264+/H.264 IP cameras	2-ch (Up to 6 MP resolution)	4-ch (up to 8-ch) Up to 8 MP resolution Support H.265+/H.265/H.264+/H.264 IP cameras
Audio compression	G.711u	G.711u	G.711u
Audio input	4-ch, RCA (2.0 Vp-p, 1 K Ω)	4-ch, RCA (2.0 Vp-p, 1 K Ω)	1-ch, RCA (2.0 Vp-p, 1 K Ω)
Two-way audio in	1-ch, RCA (2.0 Vp-p, 1 K Ω) (using the first audio input)	1-ch, RCA (2.0 Vp-p, 1 K Ω) (using the 1st audio input)	1-ch, RCA (2.0 Vp-p, 1 K Ω) (using the 1st audio input)
HDMI/VGA output	VGA: 1-ch, 1920 × 1080/60Hz, 1280 × 1024/60Hz, 1280 × 720/60Hz, 1024 × 768/60Hz HDMI: 1-ch, 4K (3840 × 2160)/30Hz, 2K (2560 × 1440)/60Hz, 1920 × 1080/60Hz, 1280 × 1024/60Hz, 1280 × 720/60Hz, 1024 × 768/60Hz	1-ch, 1920 × 1080/60Hz, 1280 × 1024/60Hz, 1280 × 720/60Hz, 1024 × 768/60Hz	HDMI: 1-ch, 4K (3840 × 2160)/30Hz, 2K (2560 × 1440)/60Hz, 1920 × 1080/60Hz, 1280 × 1024/60Hz, 1280 × 720/60Hz, 1024 × 768/60Hz VGA: 1-ch, 1920 × 1080/60Hz, 1280 × 1024/60Hz, 1280 × 720/60Hz, 1024 × 768/60Hz
CVBS output	1-ch, BNC (1.0 Vp-p, 75 Ω), resolution: PAL: 704 × 576, NTSC: 704 × 480	1-ch, BNC (1.0 Vp-p, 75 Ω), resolution: PAL: 704 × 576, NTSC: 704 × 480	
Encoding resolution	8 MP/5 MP/4 MP/3 MP/1080p/720p/WD1/4CIF/VGA/CIF	5 MP/4 MP/3 MP/1080p/720p/WD1/4CIF/VGA/CIF	8 MP/5 MP/4 MP/3M/1080P/720P/WD1/4CIF/VGA/CIF
Video bitrate	32 Kbps to 16 Mbps	32 Kbps to 10 Mbps	32 Kbps to 10 Mbps
Audio output	1-ch, RCA (Linear, 1 K Ω)	1-ch, RCA (Linear, 1 K Ω)	1-ch, RCA (Linear, 1 K Ω)
Audio bitrate	64 Kbps	64 Kbps	64 Kbps
Synchronous playback	4-ch	4-ch	8-ch
SATA	2 SATA interface	1 SATA interface	1 SATA interface
Capacity	Up to 8 TB capacity for each disk	Up to 8 TB capacity for each disk	Up to 6 TB capacity for each disk
Network interface	1, RJ45 10M/100M/1000M self-adaptive Ethernet interface	1, RJ45 10M/100M self-adaptive Ethernet interface	1, RJ45 10M/100M/1000M self-adaptive Ethernet interface
USB port	Front panel: 1 × USB 2.0 Rear panel: 1 × USB 3.0	2 × USB 2.0	2 × USB 2.0
Alarm in/out	4/1	4/1	-
Power supply	12 VDC	12 VDC	12 VDC
Working temperature	-10 °C to +55 °C (+14 °F to +131 °F)	-10 °C to +55 °C (14 °F to 131 °F)	-10 °C to +55 °C (+14 °F to +131 °F)
Working humidity	10% to 90%	10% to 90%	10% to 90%
Dimensions(W × D × H)	315 × 242 × 45 mm (12.4 × 9.5 × 1.8 inch)	315 × 242 × 45 mm (12.4 × 9.5 × 1.8 inch)	315 × 242 × 45 mm (12.4 × 9.5 × 1.8 inch)



Short Description	DS-7200HUHI-K/P SERIES TURBO HD DVR	DS-7200HUHI-K2 SERIES TURBO HD DVR	DS-7200HUHI-K/P SERIES TURBO HD DVR
Model	DS-7200HUHI-K1/P	DS-7200HUHI-K2	DS-7200HUHI-K2/P
Video compression	H.265+/H.265/H.264+/H.264	H.265+/H.265/H.264+/H.264	H.265+/H.265/H.264+/H.264
Analog video input	1-ch	4-ch	1-ch
HD-TVI video input	5 MP, 4 MP, 3 MP, 1080p30, 1080p25, 720p60, 720p50, 720p30, 720p25	5 MP, 4 MP, 3 MP, 1080p30, 1080p25, 720p60, 720p50, 720p30, 720p25	5 MP, 4 MP, 3 MP, 1080p30, 1080p25, 720p60, 720p50, 720p30, 720p25
IP video input	2-ch, Up to 6 MP resolution, Supports H.265+/H.265/H.264+/H.264 IP cameras	2-ch (Up to 6 MP resolution)	2-ch, Up to 6 MP resolution, Supports H.265+/H.265/H.264+/H.264 IP cameras
Audio compression	G.711u	G.711u	G.711u
Audio input	4-ch, RCA (2.0 Vp-p, 1 K Ω)	4-ch, RCA (2.0 Vp-p, 1 K Ω)	4-ch, RCA (2.0 Vp-p, 1 K Ω)
Two-way audio in	1-ch, RCA (2.0 Vp-p, 1 K Ω) (using the first audio input)	1-ch, RCA (2.0 Vp-p, 1 K Ω) (using the 1st audio input)	1-ch, RCA (2.0 Vp-p, 1 K Ω) (using the first audio input)
HDMI/VGA output	1-ch, 1920 × 1080/60Hz, 1280 × 1024/60Hz, 1280 × 720/60Hz, 1024 × 768/60Hz	1-ch, 1920 × 1080/60Hz, 1280 × 1024/60Hz, 1280 × 720/60Hz, 1024 × 768/60Hz	VGA: 1-ch, 1920 × 1080/60Hz, 1280 × 1024/60Hz, 1280 × 720/60Hz, 1024 × 768/60Hz HDMI: 1-ch, 4K (3840 × 2160)/30Hz, 2K (2560 × 1440)/60Hz, 1920 × 1080/60Hz, 1280 × 1024/60Hz, 1280 × 720/60Hz, 1024 × 768/60Hz
CVBS output	1-ch, BNC (1.0 Vp-p, 75 Ω), resolution: PAL: 704 × 576, NTSC: 704 × 480	1-ch, BNC (1.0 Vp-p, 75 Ω), resolution: PAL: 704 × 576, NTSC: 704 × 480	1-ch, BNC (1.0 Vp-p, 75 Ω), resolution: PAL: 704 × 576, NTSC: 704 × 480
Encoding resolution	5 MP/4 MP/3 MP/1080p/720p/WD1/4CIF/VGA/CIF	5 MP/4 MP/3 MP/1080p/720p/WD1/4CIF/VGA/CIF	5 MP/4 MP/3 MP/1080p/720p/WD1/4CIF/VGA/CIF
Video bitrate	32 Kbps to 10 Mbps	32 Kbps to 10 Mbps	32 Kbps to 10 Mbps
Audio output	1-ch, RCA (Linear, 1 K Ω)	1-ch, RCA (Linear, 1 K Ω)	1-ch, RCA (Linear, 1 K Ω)
Audio bitrate	64 Kbps	64 Kbps	64 Kbps
Synchronous playback	4-ch	4-ch	8-ch
SATA	1 SATA interface	2 SATA interface	2 SATA interfaces
Capacity	Up to 8 TB capacity for each disk	Up to 8 TB capacity for each disk	Up to 8 TB capacity for each disk
Network interface	1, RJ45 10M/100M self-adaptive Ethernet interface	1, RJ45 10M/100M/1000M self-adaptive Ethernet interface	1, RJ45 10M/100M/1000M self-adaptive Ethernet interface
USB port	2 × USB 2.0	Front panel: 1 × USB 2.0 Rear panel: 1 × USB 3.0	Front panel: 1 × USB 2.0 Rear panel: 1 × USB 3.0
Alarm in/out	4/1	4/1	8/4
Power supply	48 VDC	12 VDC	48 VDC
Working temperature	-10 °C to +55 °C (+14 °F to +131 °F)	-10 °C to +55 °C (14 °F to 131 °F)	-10 °C to +55 °C (+14 °F to +131 °F)
Working humidity	10% to 90%	10% to 90%	10% to 90%
Dimensions(W × D × H)	315 × 242 × 45 mm (12.4 × 9.5 × 1.8 inch)	380 × 320 × 48 mm (15.0 × 12.6 × 1.9 inch)	380 × 320 × 48 mm (15.0 × 12.6 × 1.9 inch)

1.5U CHASSIS



1U CHASSIS



Short Description	DS-7324HQHI-K4 SERIES TURBO HD DVR	DS-7324HUHI-K4 SERIES TURBO HD DVR	IDS-7200HQHI-K1/S SERIES TURBO ACUSENSE DVR
Model	DS-7300HQHI-K4	DS-7300HUHI-K4	IDS-7200HQHI-K1/S
Video compression	H.265+/H.265/H.264+/H.264	H.265+/H.265/H.264+/H.264	H.265 Pro+/H.265 Pro/H.265/H.264+/H.264
Analog video input	24-ch	24-ch	16-ch
HD-TVI video input	4 MP, 3 MP, 1080p25, 1080p30, 720p25, 720p30, 720p50, 720p60 Note: The 3 MP signal input is only available for channel 1/2/3/4.	5 MP, 4 MP, 3 MP, 1080p25, 1080p30, 720p25, 720p30, 720p50, 720p60	4 MP, 3 MP, 1080p30, 1080p25, 720p60, 720p50, 720p30, 720p25
IP video input	8-ch (up to 32-ch) ,Up to 6 MP resolution,Supports H.265+/H.265/H.264+/H.264 IP cameras	8-ch (up to 32-ch) ,Up to 8 MP resolution,Supports H.265+/H.265/H.264+/H.264 IP cameras	Up to 24-ch,Up to 6 MP resolution,Supports H.265+/H.265/H.264+/H.264 IP cameras
Audio compression	G.711u	G.711u	G.711u
Audio input	4-ch, RCA (2.0 Vp-p, 1 K Ω)	4-ch, RCA (2.0 Vp-p, 1 K Ω)	1-ch, RCA (2.0 Vp-p, 1 K Ω)
Two-way audio in	1-ch, RCA (2.0 Vp-p, 1 K Ω) (independent)	1-ch, RCA (2.0 Vp-p, 1 K Ω) (independent)	-
HDMI/VGA output	1-ch, 1920 × 1080/60Hz, 1280 × 1024/60Hz, 1280 × 720/60Hz, 1024 × 768/60Hz	1-ch, 1920 × 1080/60Hz, 1280 × 1024/60Hz, 1280 × 720/60Hz, 1024 × 768/60Hz	1-ch, HDMI,1-ch, VGA,1920 × 1080/60Hz, 1280 × 1024/60Hz, 1280 × 720/60Hz, 1024 × 768/60Hz,HDMI/VGA Simultaneous Output
CVBS output	1-ch, BNC (1.0 Vp-p, 75 Ω), resolution: PAL: 704 × 576, NTSC: 704 × 480	1-ch, BNC (1.0 Vp-p, 75 Ω), resolution: PAL: 704 × 576, NTSC: 704 × 480	1-ch, BNC (1.0 Vp-p, 75 Ω), resolution: PAL: 704 × 576, NTSC: 704 × 480
Encoding resolution	When 1080p Lite mode not enabled: 4 MP lite/3 MP/1080p/1080p lite/720p/WD1/4CIF/VGA/CIF When 1080p Lite mode enabled: 4 MP lite/3 MP/1080p lite/720p/720p lite/WD1/4CIF/VGA/CIF	5 MP/4 MP/3 MP/1080p/720p/WD1/4CIF/VGA/CIF	When 1080p Lite mode not enabled: 4 MP/ 3 MP/1080p/1080p lite/720p/WD1/4CIF/VGA/CIF When 1080p Lite mode enabled:4 MP lite/3 MP/1080p lite/720p lite/WD1/4CIF/VGA/CIF
Video bitrate	32 Kbps to 6 Mbps	32 Kbps to 10 Mbps	32 Kbps to 6 Mbps
Audio output	1-ch, RCA (Linear, 1 K Ω)	1-ch, RCA (Linear, 1 K Ω)	1-ch, RCA (Linear, 1 K Ω)
Audio bitrate	64 Kbps	64 Kbps	64 Kbps
Synchronous playback	16-ch	16-ch	8-ch
SATA	4 SATA interfaces	4 SATA interfaces	1 SATA interface
Capacity	Up to 8 TB capacity for each disk	Up to 8 TB capacity for each disk	Up to 10 TB capacity for each disk
Network interface	1, RJ45 10M/100M/1000M self-adaptive Ethernet interface	2, RJ45 10M/100M/1000M self-adaptive Ethernet interface	1, RJ45 10M/100M self-adaptive Ethernet interface
USB port	Front panel: 2 × USB 2.0 Rear panel: 1 × USB 3.0	Front panel: 2 × USB 2.0 Rear panel: 1 × USB 3.0	2 × USB 2.0
Alarm in/out	16/4	16/4	-
Power supply		100 to 240 VAC	12 VDC
Working temperature	-10 °C to +55 °C (+14 °F to +131 °F)	-10 °C to +55 °C (+14 °F to +131 °F)	-10 °C to +55 °C (+14 °F to +131 °F)
Working humidity	10% to 90%	10% to 90%	10% to 90%
Dimensions(W × D × H)	440 × 390 × 70 mm (17.3 × 15.4 × 2.8 inch)	440 × 390 × 70 mm (17.3 × 15.4 × 2.8 inch)	315 × 242 × 45 mm (12.4 × 9.5 × 1.8 inch)



1.5U CHASSIS



Short Description	iDS-7200HUHI-K1/4S SERIES TURBO ACUSENSE	iDS-7316HUHI-K4/16S SERIES TURBO HD DVR
Model	iDS-7200HUHI-K1/4S	iDS-7316HUHI-K4/16S
Video compression	H.265 Pro+/H.265 Pro/H.265/H.264+/H.264	H.265 Pro+/H.265 Pro/H.265/H.264+/H.264
Analog video input	8-ch	16-ch
HD-TVI video input	8 MP, 5 MP, 4 MP, 3 MP, 1080p30, 1080p25, 720p60, 720p50, 720p30, 720p25	8 MP15, 8 MP12.5, 5 MP20, 5 MP12, 4 MP30, 4 MP25, 3 MP18, 1080p30, 1080p25, 720p60, 720p50, 720p30, 720p25
IP video input	Up to 16-ch, Up to 8 MP resolution, Supports H.265+/H.265/H.264+/H.264 IP cameras	2-ch (up to 18-ch) Up to 8 MP resolution Support H.265+/H.265/H.264+/H.264 IP cameras
Audio compression	G.711u	G.711u
Audio input	4-ch, RCA (2.0 Vp-p, 1 K Ω)	4-ch, RCA (2.0 Vp-p, 1 K Ω)
Two-way audio in	1-ch, RCA (2.0 Vp-p, 1 K Ω) (using the 1st audio input)	1-ch, RCA (2.0 Vp-p, 1 K Ω)
HDMI/VGA output	VGA: 1-ch, 1920 × 1080/60Hz, 1280 × 1024/60Hz, 1280 × 720/60Hz, 1024 × 768/60Hz HDMI: 1-ch, 4K (3840 × 2160)/30Hz, 2K (2560 × 1440)/60Hz, 1920 × 1080/60Hz, 1280 × 1024/60Hz, 1280 × 720/60Hz, 1024 × 768/60Hz	1-ch, 1920 × 1080/60Hz, 1280 × 1024/60Hz, 1280 × 720/60Hz, 1024 × 768/60Hz
CVBS output	1-ch, BNC (1.0 Vp-p, 75 Ω), resolution: PAL: 704 × 576, NTSC: 704 × 480	1-ch, BNC (1.0 Vp-p, 75 Ω), resolution: PAL: 704 × 576, NTSC: 704 × 480
Encoding resolution	8MP/5 MP/4 MP/3 MP/1080p/720p/WD1/4CIF/VGA/CIF	8 MP/5 MP/4 MP/3M/1080P/720P/WD1/4CIF/VGA/CIF
Video bitrate	32 Kbps to 10 Mbps	32 Kbps to 10 Mbps
Audio output	1-ch, RCA (Linear, 1 K Ω)	2-ch, RCA (Linear, 1 K Ω)
Audio bitrate	64 Kbps	64 Kbps
Synchronous playback	8-ch	16-ch
SATA	1 SATA interface	4 SATA interfaces
Capacity	Up to 10 TB capacity for each disk	Up to 10 TB capacity for each disk
Network interface	1, RJ45 10M/100M/1000M self-adaptive Ethernet interface	1, RJ45 10M/100M/1000M self-adaptive Ethernet interface
USB port	2 × USB 2.0	Front panel: 2 × USB 2.0 Rear panel: 1 × USB 3.0
Alarm in/out	4/1	-
Power supply	12 VDC	110 to 220 VAC
Working temperature	-10 °C to +55 °C (+14 °F to +131 °F)	-10 °C to +55 °C (+14 °F to +131 °F)
Working humidity	10% to 90%	10% to 90%
Dimensions(W × D × H)	315 × 242 × 45 mm (12.4 × 9.5 × 1.8 inch)	440 × 407 × 75 mm (17.3 × 16.0 × 3.0 inch)

MINI 1U CHASSIS



Short Description	DS-7100HQHI-K1 SERIES TURBO HD DVR
Model	DS-7100HQHI-K1(B)
Video compression	H.265+/H.265/H.264+/H.264
Analog video input	4-ch
HD-TVI video input	3 MP, 1080p25, 1080p30, 720p25, 720p30, 720p50, 720p60Note: The 3 MP signal input is only available for channel 1 of DS-7104HQHI-K1
IP video input	1-ch(Up to 4 MP resolution)
Audio compression	G.711u
Audio input	1-ch, RCA (2.0 Vp-p, 1 K Ω)
Two-way audio in	1-ch, RCA (2.0 Vp-p, 1 K Ω)
HDMI/VGA output	1-ch, 1920 × 1080/60Hz, 1280 × 1024/60Hz, 1280 × 720/60Hz, 1024 × 768/60Hz
CVBS output	
Encoding resolution	When 1080p Lite mode not enabled: 3 MP/1080p/720p/WD1/4CIF/VGA/CIF;When 1080p Lite mode enabled: 3 MP/1080p lite/720p lite/WD1/4CIF/VGA/CIF
Video bitrate	32 Kbps to 6 Mbps
Audio output	1-ch, RCA (Linear, 1 K Ω)
Audio bitrate	64 Kbps
Synchronous playback	4-ch
SATA	1 SATA interface
Capacity	Up to 4 TB capacity for each disk
Network interface	1, RJ45 10M/100M self-adaptive Ethernet interface
USB port	Real panel: 2 × USB 2.0
Alarm in/out	
Power supply	12 VDC
Working temperature	-10 °C to +55 °C (+14 °F to +131 °F)
Working humidity	10% to 90%
Dimensions(W × D × H)	200 × 200 × 45 mm (7.9 × 7.9 × 1.8 inch)



TAKE TOTAL CONTROL
OF ACCESS CONTROL
HIKVISION ACCESS CONTROL

ACCESS CONTROLLERS



Short Description	Single-Door Access Controller	Double-Door Access Controller
Model	DS-K2601	DS-K2602
Processor	32-bit	32-bit
Capacity	16M	16M
Uplink Communication Interface	TCP/IP Network Interface and RS-485 Interface	TCP/IP Network Interface and RS-485 Interface
Downlink Communication Interface	RS-485 and Wiegand (w26/w34)	RS-485 and Wiegand (w26/w34)
Storage	Cards information:	Cards information:
Card Capability	100,000 (200,000 expandable)	100,000 (200,000 expandable)
Record Capability	Access control events : 300,000 (600,000 expandable)	Access control events : 300,000 (600,000 expandable)
LED Indicator	Power Supply Status, Communication Status, Working Status	Power Supply Status, Communication Status, Working Status
Built-in Clock	Yes	Yes
Accessible Card Reader1	2 Card Readers (RS485 Interface)	4 Card Readers (RS485 Interface)
Accessible Card Reader2	2 Card Readers (Wiegand Interface) Connectable	4 Card Readers (Wiegand Interface)
Input Interface1	Alarm Input×4,	Alarm Input×4,
Input Interface2	Door Contact×1,	Door Sensor × 2
Input Interface3	Exit Button×1,	Exit Button × 2
Input Interface4	Case Input×2, Tamper-proof×1	Case Input × 4, Tamper Alarm × 1
Output Interface	Door Switch Relay×1, Alarm Relay×1	Door Relay × 2, Alarm Relay × 4
Tamper-Proof		
Buzzer		
RTC		
Power Supply	DC 12V/1A	DC 12V/1A
Power Dissipation (with Load)	≤50W	≤100W
Working Temperature	-20°C to +65°C	-20°C to +65°C
Working Humidity	10% to 90% (Non-Condensing)	10% to 90% (Non-Condensing)
Installation Type		
Dimensions (L×W×H)	370x345x90mm	370x345x90mm



Short Description	Four-Door Access Controller
Model	DS-K2604
Processor	32-bit
Capacity	16M
Uplink Communication Interface	TCP/IP Network Interface and RS-485 Interface
Downlink Communication Interface	RS-485 and Wiegand (w26/w34)
Storage	Cards information:
Card Capability	100,000 (200,000 expandable)
Record Capability	Access control events : 300,000 (600,000 expandable)
LED Indicator	Power Supply Status, Communication Status, Working Status
Built-in Clock	Yes
Accessible Card Reader1	8 Card Readers (RS485 Interface)
Accessible Card Reader2	4 Card Readers (Wiegand Interface)
Input Interface1	Alarm Input×4,
Input Interface2	Door Sensor × 4
Input Interface3	Exit Button × 4
Input Interface4	Case Input×8, Tamper Alarm × 1
Output Interface	Lock Relay × 4, Alarm Relay × 4
Tamper-Proof	
Buzzer	
RTC	
Power Supply	DC 12V/1A
Power Dissipation (with Load)	≤100W
Working Temperature	-20°C to +65°C
Working Humidity	10% to 90% (Non-Condensing)
Installation Type	
Dimensions (L×W×H)	370×345×90mm

ACCESS CONTROLLERS



Short Description	Entry Level Single-Door Access Controller	Entry Level Double-Door Access Controller
Model	DS-K2801	DS-K2802
Processor	32-bit	32-bit
Capacity		
Uplink Communication Interface	TCP/IP Network Interface and RS-485 Interface	TCP/IP Network Interface and RS-485 Interface
Downlink Communication Interface	Wiegand interface	Wiegand interface
Storage	Cards information:	Cards information:
Card Capability	10,000	10,000
Record Capability	Access control events: 50,000	Access control events: 50,000
LED Indicator	Power Supply Status, Communication Status, Abnormal Status	Power Supply Status, Communication Status, Abnormal Status
Built-in Clock	Yes	Yes
Accessible Card Reader1		
Accessible Card Reader2	2 Card Readers (Wiegand Interface) Connectable	4 Card Readers (Wiegand Interface) Connectable
Input Interface1		
Input Interface2	Door Contact×1,	Door Contact×2,
Input Interface3	Exit Button×1,	Exit Button×2,
Input Interface4	Case Input×1	Case Input×2
Output Interface	Door Switch Relay×1, Alarm Relay×1	Door Switch Relay×2, Alarm Relay×2
Tamper-Proof		
Buzzer		
RTC		
Power Supply	DC 12V	DC 12V
Power Dissipation (with Load)	≤3.5W (without load)	≤3.5W (without load)
Working Temperature	-20°C to +65°C	-20°C to +65°C
Working Humidity	10% to 90% (Non-Condensing)	10% to 90% (Non-Condensing)
Installation Type		
Dimensions (L×W×H)	285x237x69mm	285x237x69mm



Short Description	Entry Level Four-Door Access Controller
Model	DS-K2804
Processor	32-bit
Capacity	
Uplink Communication Interface	TCP/IP Network Interface and RS-485 Interface
Downlink Communication Interface	Wiegand interface
Storage	Cards information:
Card Capability	10,000
Record Capability	Access control events: 50,000
LED Indicator	Power Supply Status, Communication Status, Abnormal Status
Built-in Clock	Yes
Accessible Card Reader1	
Accessible Card Reader2	4 Card Readers (Wiegand Interface) Connectable
Input Interface1	
Input Interface2	Door Contact×4,
Input Interface3	Exit Button×4,
Input Interface4	Case Input×4
Output Interface	Door Switch Relay×4, Alarm Relay×4
Tamper-Proof	
Buzzer	
RTC	
Power Supply	DC 12V
Power Dissipation (with Load)	≤3.5W (without load)
Working Temperature	-20°C to +65°C
Working Humidity	10% to 90% (Non-Condensing)
Installation Type	
Dimensions (L×W×H)	285×237×69mm

ACCESS TERMINALS



Short Description	IP Access Control Terminal	IP Access Control Terminal
Model	DS-K1T105E	DS-K1T105E-C
Storage	256M Storage,	256M Storage,
Micro SD Card (Additional)	Max.32G, Built-in Micro SD Card	Max.32G, Built-in Micro SD Card
Camera	N/A	2 MP
Face Detection	Yes	Yes
Face Recognition Distance		
Face Recognition Accuracy Rate		
1:N Face Recognition Duration		
Valid Cards/ Events	100,000 valid cards, 300,000 events	100,000 valid cards, 300,000 events
Fingerprint Capacity	N/A	N/A
Fingerprint Recognition Duration	N/A	N/A
Fingerprint Recognizer	N/A	N/A
Card Reading Mode	EM 125 KHz	EM 125 KHz
Card Reading Distance	≥5 cm	≥5 cm
External Card Reader	Standard Wiegand26/34 and Hikvision RS-485 reader	Standard Wiegand26/34 and Hikvision RS-485 reader
Communication Mode	TCP/IP, WIFI, RS-485, and Wiegand input/output 26/34 (under card reader mode only)	TCP/IP, WIFI, RS-485, and Wiegand input/output 26/34 (under card reader mode only)
USB Interface	USB2.0	USB2.0
Input Interface	Exit Button×1, Door Contact×1, Alarm×2, Doorbell Button×1	Exit Button×1, Door Contact×1, Alarm×2, Doorbell Button×1
Output Interface	Relay×1, Doorbell×1	Relay×1, Doorbell×1
LCD Screen	320×240 LCD-TFT Display Screen	320×240 LCD-TFT Display Screen
LED Indicator	Power/ Communication	Power/ Communication
Power Supply	12VDC	12VDC
Protection Level	N/A	N/A
Working Temperature	-20°C to 65°C	-20°C to 65°C
Certificate	CE, FCC	CE, FCC
Dimension	122×82×23mm	122×82×23mm



Short Description	IP Access Control Terminal	IP Access Control Terminal
Model	DS-K1T105M	DS-K1T105M-C
Storage	256M Storage,	256M Storage,
Micro SD Card (Additional)	Max.32G, Built-in Micro SD Card	Max.32G, Built-in Micro SD Card
Camera	N/A	2 MP
Face Detection	Yes	Yes
Face Recognition Distance		
Face Recognition Accuracy Rate		
1:N Face Recognition Duration		
Valid Cards/ Events	100,000 valid cards, 300,000 events	100,000 valid cards, 300,000 events
Fingerprint Capacity	N/A	N/A
Fingerprint Recognition Duration	N/A	N/A
Fingerprint Recognizer	N/A	N/A
Card Reading Mode	Mifare-1 13.56 MHz	Mifare-1 13.56 MHz
Card Reading Distance	≥5 cm	≥5 cm
External Card Reader	Standard Wiegand26/34 and Hikvision RS-485 reader	Standard Wiegand26/34 and Hikvision RS-485 reader
Communication Mode	TCP/IP, WIFI, RS-485, and Wiegand input/output 26/34 (under card reader mode only)	TCP/IP, WIFI, RS-485, and Wiegand input/output 26/34 (under card reader mode only)
USB Interface	USB2.0	USB2.0
Input Interface	Exit Button×1, Door Contact×1, Alarm×2, Doorbell Button×1	Exit Button×1, Door Contact×1, Alarm×2, Doorbell Button×1
Output Interface	Relay×1, Doorbell×1	Relay×1, Doorbell×1
LCD Screen	320×240 LCD-TFT Display Screen	320×240 LCD-TFT Display Screen
LED Indicator	Power/ Communication	Power/ Communication
Power Supply	12VDC	12VDC
Protection Level	N/A	N/A
Working Temperature	-20°C to 65°C	-20°C to 65°C
Certificate	CE, FCC	CE, FCC
Dimension	122×82×23mm	122×82×23mm



Short Description	IP Fingerprint Access Control Terminal	IP Fingerprint Access Control Terminal
Model	DS-K1T201EF	DS-K1T201EF-C
Storage	256M Storage	256M Storage
Micro SD Card (Additional)	Max.32G, Built-in Micro SD Card	Max.32G, Built-in Micro SD Card
Camera	N/A	2 MP
Face Detection	Yes	Yes
Face Recognition Distance		
Face Recognition Accuracy Rate		
1:N Face Recognition Duration		
Valid Cards/ Events	100,000 valid cards, 300,000 events	100,000 valid cards, 300,000 events
Fingerprint Capacity	Max. 4750 Users (Two Local Collected Fingerprint Templates for Each, Person, 9500 Fingerprints in Total)	Max. 4750 Users (Two Local Collected Fingerprint Templates for Each, Person, 9500 Fingerprints in Total)
Fingerprint Recognition Duration	1:1≤1s, 1:1000≤1s	1:1≤1s, 1:1000≤1s
Fingerprint Recognizer	Optical Fingerprint Recognizer Module	Optical Fingerprint Recognizer Module
Card Reading Mode	EM 125 KHz	EM 125 KHz
Card Reading Distance	≤ 5 cm	≤ 5 cm
External Card Reader	Standard Wiegand26/34 and Hikvision RS-485 reader	Standard Wiegand26/34 and Hikvision RS-485 reader
Communication Mode	TCP/IP, WIFI, RS-485, and Wiegand input/output 26/34 (under card reader mode only)	TCP/IP, WIFI, RS-485, and Wiegand input/output 26/34 (under card reader mode only)
USB Interface	USB2.0	USB2.0
Input Interface	Exit Button×1, Door Contact×1, Alarm×2, Doorbell Button×1	Exit Button×1, Door Contact×1, Alarm×2, Doorbell Button×1
Output Interface	Relay×1, Doorbell×1	Relay×1, Doorbell×1
LCD Screen	320×240 LCD-TFT Display Screen	320×240 LCD-TFT Display Screen
LED Indicator	Power/ Communication	Power/ Communication
Power Supply	12VDC	12VDC
Protection Level	N/A	N/A
Working Temperature	-20°C to 65°C	-20°C to 65°C
Certificate	CE, FCC	CE, FCC
Dimension	122×142×27mm	122×142×27mm



Short Description	IP Fingerprint Access Control Terminal	IP Fingerprint Access Control Terminal
Model	DS-K1T201MF	DS-K1T201MF-C
Storage	256M Storage	256M Storage
Micro SD Card (Additional)	Max.32G, Built-in Micro SD Card	Max.32G, Built-in Micro SD Card
Camera	N/A	2 MP
Face Detection	Yes	Yes
Face Recognition Distance		
Face Recognition Accuracy Rate		
1:N Face Recognition Duration		
Valid Cards/ Events	100,000 valid cards, 300,000 events	100,000 valid cards, 300,000 events
Fingerprint Capacity	Max. 4750 Users (Two Local Collected Fingerprint Templates for Each, Person, 9500 Fingerprints in Total)	Max. 4750 Users (Two Local Collected Fingerprint Templates for Each, Person, 9500 Fingerprints in Total)
Fingerprint Recognition Duration	1:1≤1s, 1:1000≤1s	1:1≤1s, 1:1000≤1s
Fingerprint Recognizer	Optical Fingerprint Recognizer Module	Optical Fingerprint Recognizer Module
Card Reading Mode	Mifare-1 13.56 MHz	Mifare-1 13.56 MHz
Card Reading Distance	≤ 5 cm	≤ 5 cm
External Card Reader	Standard Wiegand26/34 and Hikvision RS-485 reader	Standard Wiegand26/34 and Hikvision RS-485 reader
Communication Mode	TCP/IP, WIFI, RS-485, and Wiegand input/output 26/34 (under card reader mode only)	TCP/IP, WIFI, RS-485, and Wiegand input/output 26/34 (under card reader mode only)
USB Interface	USB2.0	USB2.0
Input Interface	Exit Button×1, Door Contact×1, Alarm×2, Doorbell Button×1	Exit Button×1, Door Contact×1, Alarm×2, Doorbell Button×1
Output Interface	Relay×1, Doorbell×1	Relay×1, Doorbell×1
LCD Screen	320×240 LCD-TFT Display Screen	320×240 LCD-TFT Display Screen
LED Indicator	Power/ Communication	Power/ Communication
Power Supply	12VDC	12VDC
Protection Level	N/A	N/A
Working Temperature	-20°C to 65°C	-20°C to 65°C
Certificate	CE, FCC	CE, FCC
Dimension	122×142×27mm	122×142×27mm



Short Description	IP Video Access Control Terminal	IP Video Access Control Terminal
Model	DS-K1T500S	DS-K1T501SF
Storage	N/A	N/A
Micro SD Card (Additional)	Max. 32G, Built-in Micro SD Card	Max. 32G, Built-in Micro SD Card
Camera	2MP/1080P, IR Light, 140° angle, Record on NVR	2MP/1080P, IR Light, Record on NVR
Face Detection	Yes	Yes
Face Recognition Distance		
Face Recognition Accuracy Rate		
1:N Face Recognition Duration		
Valid Cards/ Events	50,000 valid cards, 200,000 events	50,000 valid cards, 200,000 events
Fingerprint Capacity	N/A	3000
Fingerprint Recognition Duration	N/A	≤ 1s
Fingerprint Recognizer	N/A	Optical Fingerprint Recognition Module
Card Reading Mode	Mifare-1 13.56 MHz	Mifare-1 13.56 MHz
Card Reading Distance	≤ 5 cm	≤ 5 cm
External Card Reader	Standard Wiegand26/34 and Hikvision RS-485 reader	Standard Wiegand26/34 and Hikvision RS-485 reader
Communication Mode	TCP/IP, RS-485, and Wiegand input/output 26/34 (under card reader mode only)	TCP/IP, RS-485, and Wiegand input/output 26/34 (under card reader mode only)
USB Interface	N/A	N/A
Input Interface	Exit Button×1, Door Contact×1, Alarm×2, Doorbell Button×1	Exit Button×1, Door Contact×1, Alarm×2, Doorbell Button×1
Output Interface	Relay×1, Doorbell×1	Relay×1, Doorbell×1
LCD Screen	N/A	N/A
LED Indicator	Power/Status	Power/Status
Power Supply	12VDC	
Protection Level	IP65	IP65
Working Temperature	-40°C to 60°C	-40°C to 60°C
Certificate	CE, FCC	CE, FCC
Dimension	218mm × 78mm × 41mm	218mm × 78mm × 41mm



Short Description	Face Recognition Terminal	Face Recognition Terminal
Model	DS-K1T604M	DS-K1T604MF
Storage	Yes	Yes
Micro SD Card (Additional)	USB	USB
Camera	2 MP Dual-Lens Camera; 1080p; Auto-Focus;	2 MP Dual-Lens Camera; 1080p; Auto-Focus;
Face Detection		
Face Recognition Distance	0.3 m to 1 m	0.3 m to 1 m
Face Recognition Accuracy Rate	≥ 99%	≥ 99%
1:N Face Recognition Duration	≤ 0.5s/Person	≤ 0.5s/Person
Valid Cards/ Events	50,000 valid cards, 50,000 events	50,000 valid cards, 50,000 events
Fingerprint Capacity	N/A	5000
Fingerprint Recognition Duration	10,000; JPG and JPEG Format	10,000; JPG and JPEG Format
Fingerprint Recognizer	Optical Fingerprint Recognizer Module	Optical Fingerprint Recognizer Module
Card Reading Mode	Mifare-1 13.56 MHz	Mifare-1 13.56 MHz
Card Reading Distance	≥ 5cm	≥ 5cm
External Card Reader	Standard Wiegand26/34 and Hikvision RS-485 reader	Standard Wiegand26/34 and Hikvision RS-485 reader
Communication Mode	10/100/1000 Mbps Self-Adaptive Network Interface	10/100/1000 Mbps Self-Adaptive Network Interface
USB Interface	USB 2.0	USB 2.0
Input Interface	RS-485 × 1, Wiegand × 1, USB × 1, Lock × 1, Door Magnetic Sensor × 1, Alarm Input × 2, Alarm Output × 1, Tamper × 1, Exit Button × 1	RS-485 × 1, Wiegand × 1, USB × 1, Lock × 1, Door Magnetic Sensor × 1, Alarm Input × 2, Alarm Output × 1, Tamper × 1, Exit Button × 1
Output Interface	Lock × 1, Alarm Output × 1	Lock × 1, Alarm Output × 1
LCD Screen	7-inch LCD Touch Screen; Resolution: 1280 × 600, 16:9	7-inch LCD Touch Screen; Resolution: 1280 × 600, 16:9
LED Indicator	Communication/ Status	Communication/ Status
Power Supply	12 VDC	12 VDC
Protection Level	Indoor; Outdoor	Indoor; Outdoor
Working Temperature	-20°C to +65°C	-20°C to +65°C
Certificate	CE, FCC	CE, FCC
Dimension	330 mm × 140 mm × 45 mm	330 mm × 140 mm × 45 mm



Short Description	Face Recognition Terminal	Face Recognition Terminal
Model	DS-K1T605E	DS-K1T605EF
Storage	Yes	Yes
Micro SD Card (Additional)	USB	USB
Camera	0.3 MP ; Live Face Detection Function	0.3 MP ; Live Face Detection Function
Face Detection	2000	2000
Face Recognition Distance	0.3 m to 1 m	0.3 m to 1 m
Face Recognition Accuracy Rate	≥ 99%	≥ 99%
1:N Face Recognition Duration	≤0.5 s/Person	≤0.5 s/Person
Valid Cards/ Events	5000 valid cards, 100,000 events	5000 valid cards, 100,000 events
Fingerprint Capacity	N/A	5000
Fingerprint Recognition Duration	N/A	1:N Recognition Duration (Up to 5000 fingerprints) < 1s
Fingerprint Recognizer	N/A	Optical Fingerprint Recognizer Module
Card Reading Mode	EM 125 KHz	EM 125 KHz
Card Reading Distance	≥ 5cm	≥ 5cm
External Card Reader	Standard Wiegand26/34 and Hikvision RS-485 reader	Standard Wiegand26/34 and Hikvision RS-485 reader
Communication Mode	TCP/IP; Wi-Fi; EHome Protocol; RS-485; Wiegand 26/34	TCP/IP; Wi-Fi; EHome Protocol; RS-485; Wiegand 26/36
USB Interface	USB 2.0	USB 2.0
Input Interface	Alarm Input × 2, USB 2.0 × 1, Door Magnetic Sensor × 1, Exit Button × 1	Alarm Input × 2, USB 2.0 × 1, Door Magnetic Sensor × 1, Exit Button × 3
Output Interface	Doorbell × 1, Lock × 1, Alarm Output × 1	Doorbell × 1, Lock × 1, Alarm Output × 3
LCD Screen	5-inch LCD Touch Screen; Resolution: 800 × 480	5-inch LCD Touch Screen; Resolution: 800 × 480
LED Indicator	Communication/ Status	Communication/ Status
Power Supply	12 VDC	12 VDC
Protection Level	Indoor	Indoor
Working Temperature	-40°C to 60°C	-40°C to 60°C
Certificate	CE, FCC	CE, FCC
Dimension	190mm × 157mm × 98mm	190mm × 157mm × 98mm



Short Description	Face Recognition Terminal	Face Recognition Terminal
Model	DS-K1T605M	DS-K1T605MF
Storage	Yes	Yes
Micro SD Card (Additional)	USB	USB
Camera	0.3 MP ; Live Face Detection Function	0.3 MP ; Live Face Detection Function
Face Detection	2000	2000
Face Recognition Distance	0.3 m to 1 m	0.3 m to 1 m
Face Recognition Accuracy Rate	≥ 99%	≥ 99%
1:N Face Recognition Duration	≤0.5 s/Person	≤0.5 s/Person
Valid Cards/ Events	5000 valid cards, 100,000 events	5000 valid cards, 100,000 events
Fingerprint Capacity	N/A	5000
Fingerprint Recognition Duration	N/A	1:N Recognition Duration (Up to 5000 fingerprints) < 1s
Fingerprint Recognizer	N/A	Optical Fingerprint Recognizer Module
Card Reading Mode	Mifare-1 13.56 MHz	Mifare-1 13.56 MHz
Card Reading Distance	≥ 5cm	≥ 5cm
External Card Reader	Standard Wiegand26/34 and Hikvision RS-485 reader	Standard Wiegand26/34 and Hikvision RS-485 reader
Communication Mode	TCP/IP; Wi-Fi; EHome Protocol; RS-485; Wiegand 26/35	TCP/IP; Wi-Fi; EHome Protocol; RS-485; Wiegand 26/37
USB Interface	USB 2.0	USB 2.0
Input Interface	Alarm Input × 2, USB 2.0 × 1, Door Magnetic Sensor × 1, Exit Button × 2	Alarm Input × 2, USB 2.0 × 1, Door Magnetic Sensor × 1, Exit Button × 4
Output Interface	Doorbell × 1, Lock × 1, Alarm Output × 2	Doorbell × 1, Lock × 1, Alarm Output × 4
LCD Screen	5-inch LCD Touch Screen; Resolution: 800 × 480	5-inch LCD Touch Screen; Resolution: 800 × 480
LED Indicator	Communication/ Status	Communication/ Status
Power Supply	12 VDC	12 VDC
Protection Level	Indoor	Indoor
Working Temperature	-40°C to 60°C	-40°C to 60°C
Certificate	CE, FCC	CE, FCC
Dimension	190mm × 157mm × 98mm	190mm × 157mm × 98mm



Short Description	Face Recognition Terminal	Face Recognition Terminal
Model	DS-K1T605MF-B	DS-K1T606M
Storage	Yes	Yes
Micro SD Card (Additional)	USB	USB
Camera	0.3 MP ; Live Face Detection Function	2 MP; WDR; Wide-Angle Lens
Face Detection	2000	3000
Face Recognition Distance	0.3 m to 1 m	0.3 m to 1 m
Face Recognition Accuracy Rate	≥ 99%	≥ 99%
1:N Face Recognition Duration	≤0.5 s/Person	≤ 1s/Person
Valid Cards/ Events	5000 valid cards, 100,000 events	5000 valid cards, 100,000 events
Fingerprint Capacity	5000	N/A
Fingerprint Recognition Duration	1:N Recognition Duration (Up to 5000 fingerprints) < 1s	1:N Recognition Duration (Up to 5000 fingerprints) < 1s
Fingerprint Recognizer	Optical Fingerprint Recognizer Module	N/A
Card Reading Mode	Mifare-1 13.56 MHz	Mifare-1 13.56 MHz
Card Reading Distance	≥ 5cm	≥ 5cm
External Card Reader	Standard Wiegand26/34 and Hikvision RS-485 reader	Standard Wiegand26/34 and Hikvision RS-485 reader
Communication Mode	TCP/IP; Wi-Fi; EHome Protocol; RS-485; Wiegand 26/37	10/100 Mbps Self-Adaptive Network Interface; Wi-Fi
USB Interface	USB 2.0	USB 2.0
Input Interface	Alarm Input × 2, USB 2.0 × 1, Door Magnetic Sensor × 1, Exit Button × 4	RS-485 × 1, Wiegand × 1, USB × 1, Lock × 1, Door Bell × 1, Exit Button × 1, Tamper × 1, Alarm Input × 2, Alarm Output × 1, Door Lock × 1
Output Interface	Doorbell × 1, Lock × 1, Alarm Output × 4	Lock × 1, Alarm Output × 1
LCD Screen	5-inch LCD Touch Screen; Resolution: 800 × 480	5-inch LCD Touch Screen; Resolution: 800 × 480
LED Indicator	Communication/ Status	Communication/ Status
Power Supply	12 VDC	12 VDC
Protection Level	Indoor	Indoor; Outdoor
Working Temperature	-40°C to 60°C	-20°C to 50°C
Certificate	CE, FCC	CE, FCC
Dimension	190mm × 157mm × 98mm	281.5 mm × 113 mm × 45 mm



Short Description	Face Recognition Terminal
Model	DS-K1T606MF
Storage	Yes
Micro SD Card (Additional)	USB
Camera	2 MP; WDR; Wide-Angle Lens
Face Detection	3000
Face Recognition Distance	0.3 m to 1 m
Face Recognition Accuracy Rate	≥ 99%
1:N Face Recognition Duration	≤ 1s/Person
Valid Cards/ Events	5000 valid cards, 100,000 events
Fingerprint Capacity	5000
Fingerprint Recognition Duration	1:N Recognition Duration (Up to 5000 fingerprints) < 1s
Fingerprint Recognizer	Optical Fingerprint Recognizer Module
Card Reading Mode	Mifare-1 13.56 MHz
Card Reading Distance	≥ 5cm
External Card Reader	Standard Wiegand26/34 and Hikvision RS-485 reader
Communication Mode	10/100 Mbps Self-Adaptive Network Interface; Wi-Fi
USB Interface	USB 2.0
Input Interface	RS-485 × 1, Wiegand × 1, USB × 1, Lock × 1, Door Bell × 1, Exit Button × 1, Tamper × 1, Alarm Input × 2, Alarm Output × 1, Door Lock × 1
Output Interface	Lock × 1, Alarm Output × 1
LCD Screen	5-inch LCD Touch Screen; Resolution: 800 × 480
LED Indicator	Communication/ Status
Power Supply	12 VDC
Protection Level	Indoor; Outdoor
Working Temperature	-20°C to 50°C
Certificate	CE, FCC
Dimension	281.5 mm × 113 mm × 45 mm

ACCESS TERMINALS



Short Description	IP Fingerprint TSA Terminal	IP Fingerprint TSA Terminal
Model	DS-K1A802EF	DS-K1A802MF
Storage	N/A	N/A
Micro SD Card (Additional)	N/A	N/A
Camera	N/A	N/A
Face Detection	N/A	N/A
Face Recognition Distance		
Face Recognition Accuracy Rate		
1:N Face Recognition Duration		
Valid Cards/ Events	100,000 valid cards, 300,000 events	100,000 valid cards, 300,000 events
Fingerprint Capacity	Up to 3000 Fingerprints	Up to 3000 Fingerprints
Fingerprint Recognition Duration	1:N < 1 s (Max. 3000 Fingerprints)	1:N < 1 s (Max. 3000 Fingerprints)
Fingerprint Recognizer	Optical Fingerprint Recognizer Module	Optical Fingerprint Recognizer Module
Card Reading Mode	EM 125 KHz	Mifare-1 13.56 MHz
Card Reading Distance	≥5 cm	≥5 cm
External Card Reader	N/A	N/A
Communication Mode	TCP/IP, Wi-Fi	TCP/IP, Wi-Fi
USB Interface	USB2.0	USB2.0
Input Interface	N/A	N/A
Output Interface	N/A	N/A
LCD Screen	2.8-inch 320 x 240 LCD-TFT Display Screen	2.8-inch 320 x 240 LCD-TFT Display Screen
LED Indicator	Power/Status (Red/Green)	Power/Status (Red/Green)
Power Supply	12VDC	12VDC
Protection Level	N/A	N/A
Working Temperature	-10° C to 55° C	-10° C to 55° C
Certificate	CE, FCC	CE, FCC
Dimension	140x155x30 mm	140x155x30 mm



Short Description	IP Fingerprint TSA Terminal	IP Fingerprint TSA Terminal
Model	DS-K1A8503EF	DS-K1A8503EF-B
Storage	N/A	N/A
Micro SD Card (Additional)	N/A	N/A
Camera	N/A	N/A
Face Detection	N/A	N/A
Face Recognition Distance		
Face Recognition Accuracy Rate		
1:N Face Recognition Duration		
Valid Cards/ Events	1000 valid cards, 10,0000 events	1000 valid cards, 10,0000 events
Fingerprint Capacity	1000fingerprint	1000fingerprint
Fingerprint Recognition Duration	1S	1S
Fingerprint Recognizer	N/A	N/A
Card Reading Mode	EM 125 KHz	EM 125 KHz
Card Reading Distance	≥ 5cm	≥ 5cm
External Card Reader	N/A	N/A
Communication Mode	TCP/IP ,Ehome	TCP/IP ,Ehome
USB Interface	USB2.0	USB2.0
Input Interface	Exit Button×1, Door Contact×1, Doorbell Button×1	Exit Button×1, Door Contact×1, Doorbell Button×1
Output Interface	Relay (lock output) × 1, doorbell output × 1	Relay (lock output) × 1, doorbell output × 1
LCD Screen	2.4-inch display screen	2.4-inch display screen
LED Indicator	N/A	N/A
Power Supply	5V DC	
Protection Level	N/A	
Working Temperature	-10°C to 55 °C	-10°C to 55 °C
Certificate	CE, FCC	CE, FCC
Dimension	140 mm × 155 mm × 30mm (5.51" × 6.01" × 1.18")	140 mm × 155 mm × 30mm (5.51" × 6.01" × 1.18")



Short Description	IP Fingerprint TSA Terminal	IP Fingerprint TSA Terminal
Model	DS-K1A8503MF	DS-K1A8503MF-B
Storage	N/A	N/A
Micro SD Card (Additional)	N/A	N/A
Camera	N/A	N/A
Face Detection	N/A	N/A
Face Recognition Distance		
Face Recognition Accuracy Rate		
1:N Face Recognition Duration		
Valid Cards/ Events	1000 valid cards, 10,0000 events	1000 valid cards, 10,0000 events
Fingerprint Capacity	1000fingerprint	1000fingerprint
Fingerprint Recognition Duration	1S	1S
Fingerprint Recognizer	N/A	N/A
Card Reading Mode	Mifare-1 13.56 MHz	Mifare-1 13.56 MHz
Card Reading Distance	≥ 5cm	≥ 5cm
External Card Reader	N/A	N/A
Communication Mode	TCP/IP ,Ehome	TCP/IP ,Ehome
USB Interface	USB2.0	USB2.0
Input Interface	Exit Button×1, Door Contact×1, Doorbell Button×1	Exit Button×1, Door Contact×1, Doorbell Button×1
Output Interface	Relay (lock output) × 1, doorbell output × 1	
LCD Screen	2.4-inch display screen	2.4-inch display screen
LED Indicator	N/A	N/A
Power Supply	5V DC	
Protection Level	N/A	
Working Temperature	-10°C to 55 °C	-10°C to 55 °C
Certificate	CE, FCC	CE, FCC
Dimension	140 mm × 155 mm × 30mm (5.51" × 6.01" × 1.18")	140 mm × 155 mm × 30mm (5.51" × 6.01" × 1.18")



Short Description	IP Access Control & TSA Terminal	IP Access Control & TSA Terminal
Model	DS-K1T8003EF	DS-K1T8003MF
Storage	N/A	N/A
Micro SD Card (Additional)	N/A	N/A
Camera	N/A	N/A
Face Detection	N/A	N/A
Face Recognition Distance		
Face Recognition Accuracy Rate		
1:N Face Recognition Duration		
Valid Cards/ Events	1000 valid cards, 10,0000 events	1000 valid cards, 10,0000 events
Fingerprint Capacity	1000fingerprint	1000fingerprint
Fingerprint Recognition Duration	1S	1S
Fingerprint Recognizer	N/A	N/A
Card Reading Mode	EM 125 KHz	Mifare-1 13.56 MHz
Card Reading Distance	≥ 5cm	≥ 5cm
External Card Reader	N/A	N/A
Communication Mode	TCP/IP ,Ehome	TCP/IP ,Ehome
USB Interface	USB2.0	USB2.0
Input Interface	Exit Button×1, Door Contact×1, Doorbell Button×1	Exit Button×1, Door Contact×1, Doorbell Button×1
Output Interface	Relay (lock output) × 1, doorbell output × 1	Relay (lock output) × 1, doorbell output × 1
LCD Screen	2.4-inch display screen	2.4-inch display screen
LED Indicator	N/A	N/A
Power Supply	12V DC	12V DC
Protection Level	N/A	N/A
Working Temperature	-10°C to 55 °C	-10°C to 55 °C
Certificate	CE, FCC	CE, FCC
Dimension	140 mm × 155 mm × 30mm (5.51" × 6.01" × 1.18")	140 mm × 155 mm × 30mm (5.51" × 6.01" × 1.18")



Short Description	IP Access Control Terminal	IP Access Control Terminal
Model	DS-K1T802E	DS-K1T802M
Storage	N/A	N/A
Micro SD Card (Additional)	N/A	N/A
Camera	N/A	N/A
Face Detection	N/A	N/A
Face Recognition Distance		
Face Recognition Accuracy Rate		
1:N Face Recognition Duration		
Valid Cards/ Events	3000 valid cards, 10,000 events	3000 valid cards, 10,000 events
Fingerprint Capacity	N/A	N/A
Fingerprint Recognition Duration	N/A	N/A
Fingerprint Recognizer	N/A	N/A
Card Reading Mode	EM 125 KHz	Mifare-1 13.56 MHz
Card Reading Distance	≥ 5cm	≥ 5cm
External Card Reader	N/A	N/A
Communication Mode	TCP/IP	TCP/IP
USB Interface	N/A	N/A
Input Interface	Exit Button×1, Door Contact×1, Doorbell Button×1	Exit Button×1, Door Contact×1, Doorbell Button×1
Output Interface	Relay×1, Doorbell×1	Relay×1, Doorbell×1
LCD Screen	STN screen (resolution 128*64)	STN screen (resolution 128*64)
LED Indicator	Communication/ Status	Communication/ Status
Power Supply	12V DC	12V DC
Protection Level	N/A	N/A
Working Temperature	-20°C to 65°C	-20°C to 65°C
Certificate	CE, FCC	CE, FCC
Dimension	126.5×94.5×24 mm	126.5×94.5×24 mm



Short Description	IP Fingerprint Access Control Terminal	IP Fingerprint Access Control Terminal
Model	DS-K1T804EF	DS-K1T804MF
Storage	N/A	N/A
Micro SD Card (Additional)	N/A	N/A
Camera	N/A	N/A
Face Detection	N/A	N/A
Face Recognition Distance		
Face Recognition Accuracy Rate		
1:N Face Recognition Duration		
Valid Cards/ Events	100,000 valid cards, 300,000 events	100,000 valid cards, 300,000 events
Fingerprint Capacity	Up to 3000 Fingerprints	Up to 3000 Fingerprints
Fingerprint Recognition Duration	1:N Recognition Duration (Up to 3000 fingerprints) < 1s	1:N Recognition Duration (Up to 3000 fingerprints) < 1s
Fingerprint Recognizer	Optical Fingerprint Recognizer Module	Optical Fingerprint Recognizer Module
Card Reading Mode	EM 125 KHz	Mifare-1 13.56 MHz
Card Reading Distance	≥5 cm	≥5 cm
External Card Reader	Standard Wiegand 26/34 reader	Standard Wiegand 26/34 reader
Communication Mode	TCP/IP, Wi-Fi, RS-485 (For Secure Door Control Unit), Wiegand input/output (W26/34)	TCP/IP, Wi-Fi, RS-485 (For Secure Door Control Unit), Wiegand input/output (W26/34)
USB Interface	USB 2.0	USB 2.0
Input Interface	Exit Button×1, Door Contact×1, Alarm×2, Doorbell Button×1	Exit Button×1, Door Contact×1, Alarm×2, Doorbell Button×1
Output Interface	Relay×1 Alarm×1, Doorbell×1	Relay×1 Alarm×1, Doorbell×1
LCD Screen	2.4-inch (320×240 LCD-TFT Display Screen)	2.4-inch (320×240 LCD-TFT Display Screen)
LED Indicator	Power/Status (Red/Green), Key Back Light(White)	Power/Status (Red/Green), Key Back Light(White)
Power Supply	DC 12V	DC 12V
Protection Level	IP42	IP42
Working Temperature	-10° C to 55° C	-10° C to 55° C
Certificate	CE, FCC	CE, FCC
Dimension	205×76.5×37 mm	205×76.5×37 mm

PROXIMITY CARD READERS



ENROLMENT STATIONS



Short Description	Vandal-proof Card Reader	Card Reader	Card Enrollment Station
Model	DS-K1104MK	DS-K1108MK	DS-K1F100-D8E
Card Reading Frequency			13.56MHz and 125KHz
Sensing Distance			
Card Type			Standard IC Card, CPU Card, and ID (EM) Card
Material			
Color			
Function			
Fingerprint Scanner			
Authentication Speed			
Protocol			ISO 14443 Type A/B Standard and ISO 7816 Standard
Power Supply	12V DC	DC 12V	
Power Consumption	≤500mA	≤2W	200mA
Processor	32-bit	32bit	
Radio Frequency Standard	N/A	ISO 14443-A	
Reading Frequency	Mifare-1 13.56 MHz	Mifare-1 13.56 MHz	
Reading Range	30 to 50mm	30 to 80mm	
ID Settings	Via DIP Switch on the Main Board	Via DIP Switch on the Main Board	
Communication Interface	RS-485/Wiegand (W26/W34 protocol)	RS485/Wiegand (Set via DIP Switch)	USB 2.0; Driver Free
Audio Alert	Buzzer	Buzzer	
Keypad	Keypad with 12 Keys (0 to 9, *, #)	Keypad with 12 Keys (0 to 9, *, #)	
LED Indicator	Power Indicator; Status LED Indicator	Power Indicator; Status LED Indicator	LED Indicator: Indicates Power and the Communication Status
Tamper-Proof	Tampering Alarm	Tampering Alarm	
Working Temperature	-40°C to +70°C	-20°C to +65°C	-20°C to 65°C
Working Humidity	10% to 90% (Non Condensing)	10%~90% (No Condensing)	
Protection Level	IP 65 / IK10 Zinc-Alloy	IP65	
Dimensions	118×76×23mm	123x88x21mm	117x67.5×14.3 mm
Mounting Method	Applied for 86 & 120 Gang Box	Wall Mounting with/without Gang Box	
Certifications	FCC, CE	FCC, CE	

PROXIMITY CARD READERS



Short Description	Card Reader	Card Reader	Card Reader
Model	DS-K1107E	DS-K1107EK	DS-K1107M
Card Reading Frequency			
Sensing Distance			
Card Type			
Material			
Color			
Function			
Fingerprint Scanner			
Authentication Speed			
Protocol			
Power Supply	12V DC	12V DC	12V DC
Power Consumption	≤2W	≤2W	≤2W
Processor	32-bit	32-bit	32-bit
Radio Frequency Standard	ISO 14443-A	ISO 14443-A	ISO 14443-A
Reading Frequency	EM 125KHz	EM 125KHz	Mifare-1 13.65 MHz
Reading Range	≥50mm	≥50mm	≥50mm
ID Settings	Via DIP Switch on the Main Board	Via DIP Switch on the Main Board	Via DIP Switch on the Main Board
Communication Interface	RS-485 / Wiegand (DIP Switch)	RS-485 / Wiegand (DIP Switch)	RS-485 / Wiegand (DIP Switch)
Audio Alert	Buzzer	Buzzer	Buzzer
Keypad	N/A	Keypad with 12 Keys [0 to 9, *, #]	N/A
LED Indicator	Power Indicator; Status LED Indicator	Power Indicator; Status LED Indicator	Power Indicator; Status LED Indicator
Tamper-Proof	Tampering Alarm	Tampering Alarm	Tampering Alarm
Working Temperature	-20°C to +65°C	-20°C to +65°C	-20°C to +65°C
Working Humidity	10% to 90% (Non Condensing)	10% to 90% (Non Condensing)	10% to 90% (Non Condensing)
Protection Level	IP65	IP65	IP65
Dimensions	115×44×22mm	115×44×22mm	85.6x86.5x14mm
Mounting Method	Wall mounting with screws. The Gang Box is not supported.	Wall mounting with screws. The Gang Box is not supported.	Wall mounting with screws. The Gang Box is not supported.
Certifications	FCC, CE	FCC, CE	FCC, CE

MAGNETIC CARDS



Short Description	Card Reader	EM RFID Card	Mifare 1 RFID Card
Model	DS-K1107MK	DS-KEM125	IC S50
Card Reading Frequency		125KHz +/- 6KHz	13.56 MHz
Sensing Distance		15cm	15cm
Card Type		EM-4100	MIFARE RF Interface (ISO/IEC 14443 A)
Material		PVC , Thin card	PVC , Thin card
Color		White	White
Function		Read	Read
Fingerprint Scanner			
Authentication Speed			
Protocol			
Power Supply	12V DC		
Power Consumption	≤2W		
Processor	32-bit	64 bit	High security EPROM
Radio Frequency Standard	ISO 14443-A		
Reading Frequency	Mifare-1 13.65 MHz		
Reading Range	≥50mm		
ID Settings	Via DIP Switch on the Main Board		
Communication Interface	RS-485 / Wiegand (DIP Switch)		
Audio Alert	Buzzer		
Keypad	Keypad with 12 Keys (0 to 9, *, #)		
LED Indicator	Power Indicator; Status LED Indicator		
Tamper-Proof	Tampering Alarm		
Working Temperature	-20°C to +65°C	-20 ™ -- + 75 ™	-20 ™ -- + 75 ™
Working Humidity	10% to 90% (Non Condensing)		
Protection Level	IP65		
Dimensions	115×44×22mm	85.5mm × 54mm × 0.8mm	85.5mm × 54mm × 0.8mm
Mounting Method	Wall mounting with screws. The Gang Box is not supported.		
Certifications	FCC, CE		



Short Description	Dual Frequency RFID Card
Model	S50+TK4100
Card Reading Frequency	125KHZ + 13.65 KHz
Sensing Distance	15cm
Card Type	EM-4100
Material	PVC , Thin card
Color	White
Function	Read
Fingerprint Scanner	
Authentication Speed	
Protocol	
Power Supply	
Power Consumption	
Processor	High security EPROM
Radio Frequency Standard	
Reading Frequency	
Reading Range	
ID Settings	
Communication Interface	
Audio Alert	
Keypad	
LED Indicator	
Tamper-Proof	
Working Temperature	-20 ℃ -- + 75 ℃
Working Humidity	
Protection Level	
Dimensions	85.5mm × 54mm × 0.8mm
Mounting Method	
Certifications	

AUXILLIARY PRODUCTS



M1 Non-Contacting IC Card

EXIT BUTTONS



Exit button



Touch-less Exit button

Short Description	M1 Non-Contacting IC Card	Exit button	Touch-less Exit button
Model	DS-K7M102-M	DS-K7P01	DS-K7P03
Dimension	26 mm × 50 mm × 4 mm	86×86×28.9mm	86×86×25.7mm
Suitable Door		All kinds of narrow doorframes	All kinds of narrow doorframes
Shell Performance		Aluminum alloy panel, metal button	Aluminum panel
Weight		0.25kg	0.15kg
Operating Temperature		-100 to +550	-20°C to 55°C;
Operating Humidity		0% to 95%	0% to 95%

EXIT BUTTONS







Short Description	Exit button	Touch-less Exit button
Model	DS-K7P02	DS-K7P04
Dimension	90×35×28.9mm	90×35×37.7mm
Suitable Door	All kinds of narrow doorframes	All kinds of narrow doorframes
Shell Performance	Aluminum alloy panel, metal button	Aluminum panel
Weight	0.2kg	0.12kg
Operating Temperature	-100 to +550	-20°C to 55°C;
Operating Humidity	0% to 95%	0% to 95%



VIDEO INTERCOM



HD COMMUNICATION MADE EASY **TWO-WIRE IP VIDEO INTERCOM**

	2 WIRE GANG BOX	2 WIRE DISTRIBUTOR	2 WIRE INDOOR STATION	2 WIRE INTERCOM
				
Short Description	2 wire Digital Video/Gang Box	2 wire Digital Video/Audio Distributor	2 wire Digital Indoor Station	2 wire Digital Door Station
Model	DS-KAB8103-IMEX	DS-KAD709	DS-KH8340-TCE2/EU-W(-B)	DS-KV8103-IME2/EU
Camera				CMOS Low Illumination 2 MP HD Colorful 155° Fisheye Camera
Video compression standard			H.264	H.264
Resolution				1920 × 1080
Audio input			Built-in Omnidirectional Microphone	Built-in Omnidirectional Microphone
Audio output			Built-in Loudspeaker	Built-in Loudspeaker
Exit button				Exit Button for Opening the Door
Door magnetic detection				Detects Door Magnetic Status
Light supplement mode				IR Supplement
Ethernet				10/100 Mbps Self-Adaptive Ethernet
Network protocol				TCP/IP, RTSP
Network interface			Two-Wire Interface	Two-Wire Interface
RS-485			1, Half-duplex Interface	1 RS-485 Half-Duplex Port
I/O input				2
Power supply		24 VDC	Powered by DS-KAD709	24 VDC, Power Over Network Cable (DS-KAD709)
Power consumption		60 W	Max. 10 W	≤12 W
Working temperature		-10 ℃ to 55 ℃	-10 °C to +55 °C (14 °F to 131 °F)	-30 °C to +60 °C (-22 °F to 140 °F)
Working humidity		10% to 90%, No Condensing	10% to 90%	10% to 90%
IP protection level				IP 65
Dimensions (L x W x H)		112.2 mm x 111 mm x 66 mm	196 mm × 133 mm × 25.75 mm	163 mm x 104 mm x 44 mm
Display screen			7-inch Colorful TFT LCD	
Display resolution			1024 × 600	
App		Support	Support	Support
panel Material				Stainless Steel

ANALOGUE INTERCOM



Short Description	4 Wire Video Intercom Outdoor Station	4 Wire Video Intercom Outdoor Station	4 Wire Video Intercom Indoor Station	4 Wire Video Intercom Indoor Station
Model	DS-KB2411-IM	DS-KB2421-IM	DS-KH2220	DS-KH2220-S
Camera(door station)	1/4" CMOS, Low Illumination	1/4" CMOS		
Resolution(door station)	720 × 576	720 × 576		
Audio input(door station)	Built-in Omnidirectional Microphone	Built-in Omnidirectional Microphone		
Audio output(door station)	Built-in Loudspeaker	Built-in Loudspeaker		
Audio quality(door station)	Noise Suppression and Echo Cancellation	Noise Suppression and Echo Cancellation		
Light supplement model(door station)	Photosensitive IR Supplement, IR Range: 2 Meters	Photosensitive IR Supplement, IR Range: 2 Meters		
Four-wire interface(door station)	1 Four-Wire Interface (1-ch Video Input, 1-ch Audio Input, 1-ch Power Supply, 1-ch Grounding)	1 Four-Wire Interface (1-ch Video Input, 1-ch Audio Input/Output, 1-ch Power Supply, 1-ch Grounding)		
I/O output(door station)	1 Relay Output	1 Relay Output		
Material(door station)	Metal	Zinc Alloy		
Power consumption(door station)	Max. 5W	Max. 5W		
Working temperature(door station)	-30° C to +60° C	-30° C to +70° C		
Working humidity(door station)	10% to 90%	10% to 90%		
Dimensions (L × W × H) (door station)	128 mm × 42 mm × 24.8 mm	145mm × 49.2 mm × 26.45 mm		
Display screen(indoor station)			7-Inch Colorful TFT LCD	7-Inch Colorful TFT LCD
Display resolution(indoor station)			800 × 480	800 × 480
Operation method(indoor station)			Physical Button	Physical Button
Audio input(indoor station)			Built-in Omnidirectional Microphone	Built-in Omnidirectional Microphone
Audio output(indoor station)			Built-in Loudspeaker	Built-in Loudspeaker
Audio quality(indoor station)			Noise Suppression and Echo Cancellation	Noise Suppression and Echo Cancellation
Four-wire			1-ch Video Input, 1-ch Audio Input/Output,	1-ch Video Input, 1-ch Audio Input/Output,

IP KIT

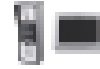
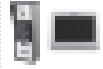


2-WIRE DIGITAL KIT



Short Description	IP Video Intercom Kit	IP Video Intercom Kit	2-wire IP Kit	2-wire IP Kit
Model	DS-KIS601	DS-KIS602	DS-KIS701-B-D	DS-KIS701-W-D
Processor	High-Performance Embedded SOC Processor	High-Performance Embedded SOC Processor	High-Performance Embedded SOC Processor	High-Performance Embedded SOC Processor
Camera	CMOS Low Illumination 1.3 MP HD Colorful Camera	CMOS Low Illumination 2 MP HD Colorful Camera	CMOS Low Illumination 2 MP HD Colorful 155° Fisheye Camera	CMOS Low Illumination 2 MP HD Colorful 155° Fisheye Camera
Video compression standard	H.264	H.264	H.264	H.264
Resolution	1280 × 720	1920 × 1080	1920 × 1080	1920 × 1080
Audio input	Built-in Omnidirectional Microphone	Built-in Omnidirectional Microphone	Built-in Omnidirectional Microphone	Built-in Omnidirectional Microphone
Audio output	Built-in Loudspeaker	Built-in Loudspeaker	Built-in Loudspeaker	Built-in Loudspeaker
Exit button	Exit Button for Opening the Door	Exit Button for Opening the Door	Exit Button for Opening the Door	Exit Button for Opening the Door
Door magnetic detection	Detects Door Magnetic Status	Detects Door Magnetic Status	Detects Door Magnetic Status	Detects Door Magnetic Status
Light supplement mode	IR Supplement	IR Supplement	IR Supplement	IR Supplement
Ethernet	10/100 Mbps Self-Adaptive Ethernet	10/100 Mbps Self-Adaptive Ethernet	10/100 Mbps Self-Adaptive Ethernet	10/100 Mbps Self-Adaptive Ethernet
Network protocol	TCP/IP, RTSP	TCP/IP, RTSP	TCP/IP, RTSP	TCP/IP, RTSP
Network interface	1 RJ-45 10/100 Mbps Self-Adaptive Ethernet Interface	1 RJ-45 10/100 Mbps Self-Adaptive Ethernet Interface	Two-Wire Interface	Two-Wire Interface
RS-485	1 RS-485 Half-Duplex Port	1 RS-485 Half-Duplex Port	1 RS-485 Half-Duplex Port	1 RS-485 Half-Duplex Port
I/O input	4	4	2	2
Power supply	24 VDC, Power Over Network Cable (DS-KAD606, DS-KAD612) 12 VDC	12 VDC & Standard POE	24 VDC, Power Over Network Cable (DS-KAD709)	24 VDC, Power Over Network Cable (DS-KAD709)
Working temperature	-40 °C to +60 °C [-40 °F to 140 °F]	-40 °C to +60 °C [-40 °F to 140 °F]	-30 °C to +60 °C [-22 °F to 140 °F]	-30 °C to +60 °C [-22 °F to 140 °F]
Working humidity	10% to 90%	10% to 90%	10% to 90%	10% to 90%
IP protection level		IP 65	IP 65	IP 65
Display screen	7-Inch Colorful TFT LCD	7-Inch Colorful TFT LCD	7-inch Colorful TFT LCD	7-inch Colorful TFT LCD
Display resolution	800 × 480	1024 × 600	1024 × 600	1024 × 600
I/O output(door station)	1 Relay Output	1 Relay Output		
Power consumption(Door Station/Indoor Station)	Max. 5W	Max. 5W		

ANALOGUE KIT



Short Description	4 Wire Video Intercom Kit - Vandal Resistant	4 Wire Video Intercom Kit - Vandal Resistant	4 Wire Video Intercom Kit
Model	DS-KIS202	DS-KIS203	DS-KIS204
Processor			
Camera	1/4" CMOS, Low Illumination	1/4" CMOS, Low Illumination	1/4" CMOS, Low Illumination
Video compression standard			
Resolution	720 × 576	720 × 576	720 × 576
Audio input	Built-in Omnidirectional Microphone	Built-in Omnidirectional Microphone	Built-in Omnidirectional Microphone
Audio output	Built-in Loudspeaker	Built-in Loudspeaker	Built-in Loudspeaker
Exit button			
Door magnetic detection			
Light supplement mode	Photosensitive IR Supplement, IR Range: 2 Meters	Photosensitive IR Supplement, IR Range: 2 Meters	Photosensitive IR Supplement, IR Range: 2 Meters
Ethernet			
Network protocol			
Network interface	1 Four-Wire Interface (1-ch Video Input, 1-ch Audio Input, 1-ch Power Supply, 1-ch Grounding)	1 Four-Wire Interface (1-ch Video Input, 1-ch Audio Input, 1-ch Power Supply, 1-ch Grounding)	1 Four-Wire Interface (1-ch Video Input, 1-ch Audio Input, 1-ch Power Supply, 1-ch Grounding)
RS-485			
I/O input			
Power supply			
Working temperature	-30° C to +60° C	-30° C to +60° C	-30° C to +60° C
Working humidity	10% to 90%	10% to 90%	10% to 90%
IP protection level			
Display screen	7-Inch Colorful TFT LCD	7-Inch Colorful TFT LCD	7-Inch Colorful TFT LCD
Display resolution	800 × 480	800 × 480	800 × 480
I/O output(door station)	1 Relay Output	1 Relay Output	1 Relay Output
Power consumption(Door Station/Indoor Station)	Max. 5W	Max. 5W	Max. 5W



REAL SECURITY, REALLY CONVENIENT

SECOND GENERATION
IP VIDEO INTERCOM SYSTEM



SECURITY STARTS
AT THE FRONT DOOR
WI-FI VIDEO DOORBELL

IP INTERCOM



Short Description	Vandal-Resistant Villa Door Station	Metal 1 Button Villa Door Station
Model	DS-KB8112-IM	DS-KV8102-IM
Processor	High-Performance Embedded SOC Processor	High-Performance Embedded SOC Processor
Camera	CMOS Low Illumination 1.3 MP HD Digital WDR Colorful Camera with Motion Detection	CMOS Low Illumination 1.3 MP HD Colorful Camera
Video Compression Standards	H.264	H.264
Resolution	1280 × 720	1280 × 720
Video Frame	25 fps	25 fps
Display Screen	N/A	N/A
Operation Interface	N/A	N/A
Audio Input	Built-in Omnidirectional Microphone	Built-in Omnidirectional Microphone
Audio Output	Built-in Loudspeaker	Built-in Loudspeaker
Audio Compression Standard	G.711 U	G.711 U
Audio Compression Rate	64 Kbps	64 Kbps
Internal Card Reader	N/A	Built-in Mifare-1 Card Reader
External Card Reader	N/A	Door Button for Opening the Door
Light Supplement Mode	IR Supplement	IR Supplement
Ethernet	10M/100M Self-Adaptive Ethernet	10M/100M Self-Adaptive Ethernet
Network Protocol	TCP/IP, RTSP, ONVIF, ISAPI, HTTP/S, SMTP	TCP/IP, SNMP, SIP, RTSP
Alarm Input	Door Magnetic Alarm	Door Magnetic Alarm; Tampering Alarm
RS-485	N/A	1 RS485 Half-Duplex Port
Wiegand	1	1
USB	N/A	N/A
Material	Zinc Alloy, IK9 Impact Protection	Aluminum alloy
Power Supply	PoE (802.3af Class 3), 12 VDC	Power Over Network Cable (DS-KAD606 ,DS-KAD612)/12 VDC
Working Temperature	-40° C to +70° C	-40° C to +70° C
IP Protection Level	IP66	IP65
Dimension	161.9 mm × 74.1 mm × 53.2 mm	182 mm × 100 mm × 32.5 mm



Short Description	Plastic 1 Button Villa Door Station	Plastic 1 Button Villa Door Station
Model	DS-KV8102-IP	DS-KV8102-VP
Processor	High-Performance Embedded SOC Processor	High-Performance Embedded SOC Processor
Camera	CMOS Low Illumination 1.3 MP HD Colorful Camera	CMOS Low Illumination 1.3 MP HD Colorful Camera
Video Compression Standards	H.264	H.264
Resolution	1280 × 720	1280 × 720
Video Frame	25 fps	25 fps
Display Screen	N/A	N/A
Operation Interface	N/A	N/A
Audio Input	Built-in Omnidirectional Microphone	Built-in Omnidirectional Microphone
Audio Output	Built-in Loudspeaker	Built-in Loudspeaker
Audio Compression Standard	G.711 U	G.711 U
Audio Compression Rate	64 Kbps	64 Kbps
Internal Card Reader	Built-in Mifare-1 Card Reader	Built-in Mifare-1 Card Reader
External Card Reader	Door Button for opening the Door	Door Button for opening the Door
Light Supplement Mode	IR Supplement	Visible Light Supplement
Ethernet	10M/100M Self-Adaptive Ethernet	10M/100M Self-Adaptive Ethernet
Network Protocol	TCP/IP, SNMP, SIP, RTSP	TCP/IP, SNMP, SIP, RTSP
Alarm Input	Door Magnetic Alarm; Tampering Alarm	Door Magnetic Alarm; Tampering Alarm
RS-485	1 RS485 Half-duplex Port	1 RS485 Half-duplex Port
Wiegand	1	1
USB	N/A	N/A
Material	Plastic	Plastic
Power Supply	Power Over Network Cable (DS-KAD606 ,DS-KAD612)/12 VDC	Power Over Network Cable (DS-KAD606 ,DS-KAD612)/12 VDC
Working Temperature	-40° C to +70° C	-40° C to +70° C
IP Protection Level	IP65	IP65
Dimension	164 mm × 97 mm × 40.6 mm	164 mm × 97 mm × 40.6 mm



Short Description	Metal 2 Button Villa Door Station	Metal 4 Button Villa Door Station
Model	DS-KV8202-IM	DS-KV8402-IM
Processor	High-Performance Embedded SOC Processor	High-Performance Embedded SOC Processor
Camera	CMOS Low Illumination 1.3 MP HD Colorful Camera	CMOS Low Illumination 1.3 MP HD Colorful Camera
Video Compression Standards	H.264	H.264
Resolution	1280 × 720	1280 × 720
Video Frame	25 fps	25 fps
Display Screen	N/A	N/A
Operation Interface	N/A	N/A
Audio Input	Built-in Omnidirectional Microphone	Built-in Omnidirectional Microphone
Audio Output	Built-in Loudspeaker	Built-in Loudspeaker
Audio Compression Standard	G.711 U	G.711 U
Audio Compression Rate	64 Kbps	64 Kbps
Internal Card Reader	Built-in Mifare-1 Card Reader	Built-in Mifare-1 Card Reader
External Card Reader	Door Button for Opening the Door	Door Button for Opening the Door
Light Supplement Mode	IR Supplement	IR Supplement
Ethernet	10M/100M Self-Adaptive Ethernet	10M/100M Self-Adaptive Ethernet
Network Protocol	TCP/IP, SNMP, SIP, RTSP	TCP/IP, SNMP, SIP, RTSP
Alarm Input	Door Magnetic Alarm; Tampering Alarm	Door Magnetic Alarm; Tampering Alarm
RS-485	1 RS485 Half-Duplex Port	1 RS485 Half-Duplex Port
Wiegand	2	4
USB	N/A	N/A
Material	Aluminum alloy	Aluminum alloy
Power Supply	Power Over Network Cable (DS-KAD606 ,DS-KAD612)/12 VDC	Power Over Network Cable (DS-KAD606 ,DS-KAD612)/12 VDC
Working Temperature	-40° C to +70° C	-40° C to +70° C
IP Protection Level	IP65	IP65
Dimension	182 mm × 100 mm × 32.5 mm	182 mm × 100 mm × 32.5 mm

IP INTERCOM



Short Description	Metal Compact Apartment Door Station	Metal Apartment Door Station
Model	DS-KD3002-VM	DS-KD8002-VM
Processor	High-Performance Embedded SOC Processor	High-performance Embedded SOC Processor
Camera	CMOS Low Illumination 1.3 MP HD Colorful Camera	CMOS Low Illumination 1.3 MP HD Colorful Camera
Video Compression Standards	H.264	H.264
Resolution	1280 × 720	1280 × 720
Video Frame	PAL: 25 fps, NTSC: 30 fps	PAL: 25 fps, NTSC: 30 fps
Display Screen	3.5-Inch Colorful TFT LCD	3.5-Inch Colorful TFT LCD
Operation Interface	LCD Display, Easy Menu	LCD Display, Easy Menu
Audio Input	Built-in Omnidirectional Microphone	Built-in Omnidirectional Microphone
Audio Output	Built-in Loudspeaker	Built-in Loudspeaker
Audio Compression Standard	G.711 U	G.711 U
Audio Compression Rate	64 Kbps	64 Kbps
Internal Card Reader	Built-in Mifare 1 Card Reader	Built-in Mifare-1 Card Reader
External Card Reader	Wiegand 26, Wiegand 34, or RS485 IC Reader	Wiegand 26, Wiegand 34, or RS485 IC Reader
Light Supplement Mode	Visible Light Supplement	Visible Light Supplement
Ethernet	10M/100M/1000M Self-Adaptive Ethernet	10M/100M/1000M Self-Adaptive Ethernet
Network Protocol	TCP/IP, SNMP, SIP, RTSP	TCP/IP, SNMP, SIP, RTSP
Alarm Input	Door Magnetic Alarm, Tamper Alarm	Door Magnetic Alarm, Tamper Alarm
RS-485	1 RS485 Half-Duplex Port	1 RS485 Half-Duplex Port
Wiegand	1 Wiegand Port for Accessing Wiegand RFID Card Reader	1 Wiegand Port for Accessing Wiegand RFID Card Reader
USB	1; USB2.0, Supporting U-disk	1; USB2.0, Supporting U-disk
Material	Aluminum Alloy	Aluminum Alloy
Power Supply	12 VDC	12 VDC
Working Temperature	-40° C to +60° C	-40° C to +70° C
IP Protection Level	IP65	IP65
Dimension	357 mm × 124 mm × 55 mm	418 mm × 145 mm × 61 mm



Short Description	Apartment Door Station
Model	DS-KD8102-V
Processor	High-Performance Embedded SOC Processor
Camera	CMOS Low Illumination 1.3 MP HD Colorful Camera
Video Compression Standards	H.264
Resolution	1280 × 720
Video Frame	PAL: 25 fps, NTSC: 30 fps
Display Screen	3.5-Inch Colorful TFT LCD
Operation Interface	LCD Display, Easy Menu
Audio Input	Built-in Omnidirectional Microphone
Audio Output	Built-in Loudspeaker
Audio Compression Standard	G.711 U
Audio Compression Rate	64 Kbps
Internal Card Reader	Built-in Mifare 1 Card Reader
External Card Reader	Wiegand 26, Wiegand 34, or RS485 IC Reader
Light Supplement Mode	Visible Light Supplement
Ethernet	10M/100M/1000M Self-Adaptive Ethernet
Network Protocol	TCP/IP, SNMP, SIP, RTSP
Alarm Input	Door Magnetic Alarm, Tamper Alarm
RS-485	1 RS485 Half-Duplex Port
Wiegand	1 Wiegand Port for Accessing Wiegand RFID Card Reader
USB	1; USB2.0, Supporting U-disk
Material	Plastic
Power Supply	12 VDC
Working Temperature	-40° C to +70° C
IP Protection Level	IP65
Dimension	418 mm × 145 mm × 61 mm

IP MODULAR DOOR STATION



NEW



NEW

Short Description	Camera module	Camera module
Model	DS-KD8003-IME1/EU	DS-KD8003-IME1/Flush/EU
Processor	Embedded MCU Processor	Embedded MCU Processor
Camera	Low Illumination 2 MP HD IR Camera	Low Illumination 2 MP HD IR Camera
Video Compression Standards	H.264	H.264
Resolution	Main Stream: 1920 × 1080Sub Stream: 720 × 480	Main Stream: 1920 × 1080Sub Stream: 720 × 480
Video Frame		
Display Screen		
Operation Interface	Physical Button	Physical Button
Audio Input	Built-in Omnidirectional Microphone	Built-in Omnidirectional Microphone
Audio Output	Built-in Loudspeaker(More than 85 dB within 20 cm)	Built-in Loudspeaker(More than 85 dB within 20 cm)
Audio Compression Standard	G.711 U	G.711 U
Audio Compression Rate	64 Kbps	64 Kbps
Internal Card Reader		
External Card Reader		
Light Supplement Mode	IR Supplement	IR Supplement
Ethernet	10/100 Mbps Self-Adaptive Ethernet	10/100 Mbps Self-Adaptive Ethernet
Network Protocol	TCP/IP, RTSP	TCP/IP, RTSP
Alarm Input		
RS-485	RS485 In *1,out *1	RS485 out *1
Wiegand		
USB		
Material		
Power Supply	12 VDC/PoE (IEEE 802.3af)	12 VDC/PoE (IEEE 802.3af)
Working Temperature	-40° C to +60° C (-40° F to 140° F)	-40° C to +60° C (-40° F to 140° F)
IP Protection Level	IP65	IP65
Dimension	98 mm × 99.8 mm × 43.9 mm (3.86" × 3.93" × 1.73")	98 mm × 99.8 mm × 43.9 mm (3.86" × 3.93" × 1.73")



Short Description	Camera module	Display module
Model	DS-KD8003-IME1/Surface/EU	DS-KD-DIS
Processor	Embedded MCU Processor	
Camera	Low Illumination 2 MP HD IR Camera	
Video Compression Standards	H.264	
Resolution	Main Stream: 1920 × 1080Sub Stream: 720 × 480	
Video Frame		
Display Screen		3.5 inch LCD, 320*480,
Operation Interface	Physical Button	4 Physical Button
Audio Input	Built-in Omnidirectional Microphone	
Audio Output	Built-in Loudspeaker(More than 85 dB within 20 cm)	
Audio Compression Standard	G.711 U	
Audio Compression Rate	64 Kbps	
Internal Card Reader		
External Card Reader		
Light Supplement Mode	IR Supplement	
Ethernet	10/100 Mbps Self-Adaptive Ethernet	
Network Protocol	TCP/IP, RTSP	
Alarm Input		
RS-485	RS485 In *1,out *1	RS485 In *1,out *1,
Wiegand		
USB		
Material		
Power Supply	12 VDC/PoE (IEEE 802.3af)	
Working Temperature	-40° C to +60° C (-40° F to 140° F)	
IP Protection Level	IP65	IP65
Dimension	98 mm × 99.8 mm × 43.9 mm (3.86" × 3.93" × 1.73")	98.21mmx100.21 mm x33.7mm,



NEW



NEW

Short Description	ID card reader module	Indicator module
Model	DS-KD-E	DS-KD-IN
Processor		Embedded MCU Processor
Camera		
Video Compression Standards		
Resolution		
Video Frame		
Display Screen		
Operation Interface		
Audio Input		
Audio Output		
Audio Compression Standard		
Audio Compression Rate		
Internal Card Reader		
External Card Reader		
Light Supplement Mode		
Ethernet		
Network Protocol		
Alarm Input		
RS-485		RS485 In *1,out *1
Wiegand		
USB		
Material		
Power Supply		
Working Temperature		-40° C to +60° C(-40° F to 140° F)
IP Protection Level		IP65
Dimension		98.5 mm × 100 mm × 33.7 mm (3.87" × 3.95" × 1.33")



Short Description	Nametag module		Control panel module	
Model	DS-KD-KK		DS-KD-KP	
Processor	Embedded MCU Processor		Embedded MCU Processor	
Camera				
Video Compression Standards				
Resolution				
Video Frame				
Display Screen				
Operation Interface	6 Physical Button		12 Physical Button	
Audio Input				
Audio Output				
Audio Compression Standard				
Audio Compression Rate				
Internal Card Reader				
External Card Reader				
Light Supplement Mode				
Ethernet				
Network Protocol				
Alarm Input				
RS-485	RS485 In *1,out *1		RS485 In *1,out *1	
Wiegand				
USB				
Material				
Power Supply				
Working Temperature	-40° C to +60° C(-40° F to 140° F)		-40° C to +60° C(-40° F to 140° F)	
IP Protection Level	IP65		IP65, IK7	
Dimension	98.21 mm × 100.21 mm × 33.7 mm (3.87" × 3.95" × 1.33")		98.5 mm × 100 mm × 34.2 mm (3.87" × 3.95" × 1.33")	



Short Description	Mifare card reader module
Model	DS-KD-M
Processor	Embedded MCU Processor
Camera	
Video Compression Standards	
Resolution	
Video Frame	
Display Screen	
Operation Interface	
Audio Input	
Audio Output	
Audio Compression Standard	
Audio Compression Rate	
Internal Card Reader	Mifare Card
External Card Reader	
Light Supplement Mode	
Ethernet	
Network Protocol	
Alarm Input	
RS-485	RS485 In *1,out *1
Wiegand	
USB	
Material	
Power Supply	
Working Temperature	-40° C to +60° C(-40° F to 140° F)
IP Protection Level	IP65
Dimension	98.5 mm × 100 mm × 33.7 mm (3.87" × 3.95" × 1.33")

INDOOR STATIONS



Short Description	Video Intercom Indoor Station	Video Intercom Indoor Station
Model	DS-KH8300-T	DS-KH8301-WT
Processor	High-Performance Embedded SOC Processor	High-Performance Embedded SOC Processor
Operation System	Embedded Linux Operation System	Embedded Linux Operation System
Camera	N/A	CMOS 0.3MP, Mechanical Switch
Resolution	N/A	640x480
Video Frame	N/A	PAL: 25 fps, NTSC: 30 fps
Display Screen	7-Inch Colorful TFT LCD	7-Inch Colorful TFT LCD
Display Resolution	1024 × 600	1024 × 600
Operation Method	Capacitive Touch Screen, Touch Key	Capacitive Touch Screen, Touch Key
Operation Interface	Flattened UI Operation Interface	Flattened UI Operation Interface
Audio Input	Built-in Omnidirectional Microphone	Built-in Omnidirectional Microphone
Audio Output	Built-in Loudspeaker	Built-in Loudspeaker
Audio Compression Standard	G.711 U	G.711 U
Audio Compression Rate	64 Kbps	64 Kbps
Ethernet	10M/100M Self-Adaptive Ethernet	10M/100M Self-Adaptive Ethernet
Wireless Internet	N/A	Wi-Fi 802.11b/g/n
Network Protocol	TCP/IP, SNMP, SIP, RTSP	TCP/IP, SNMP, SIP, RTSP
Network Access	1 RJ45 10M/100M Self-Adaption Ethernet Interface	1 RJ45 10M/100M Self-Adaption Ethernet Interface
RS485	2; RS485 Half-Duplex	2; RS485 Half-Duplex
I/O Output	2	2
I/O Input	8-ch Alarm Sensor Input	8-ch Alarm Sensor Input
SD Card	TF Card; Supporting Max. 32GB	TF Card; Supporting Max. 32GB
Power Supply	24 VDC, Power Over Network Cable [DS-KAD606, DS-KAD612]/12 V DC	24 VDC, Power Over Network Cable [DS-KAD606, DS-KAD612]/12 V DC
Power Consumption	≤10 W	≤10 W
Working Temperature	-10° C to +55° C (14° F to 131° F)	-10° C to +55° C (14° F to 131° F)
Dimension (L x W x H)	217 mm × 142 mm × 26 mm	217 mm × 142 mm × 26 mm



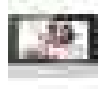
Short Description	Master Station
Model	DS-KM8301
Processor	High-Performance Embedded SOC Processor
Operation System	Embedded Linux Operation System
Camera	CMOS 0.3MP
Resolution	640x480
Video Frame	PAL: 25 fps, NTSC: 30 fps
Display Screen	7-Inch Colorful TFT LCD
Display Resolution	1024 × 600
Operation Method	Capacitive Touch Screen, Touch Key, Physical Button
Operation Interface	Flattened UI Operation Interface
Audio Input	Built-in Omnidirectional Microphone + External Handset
Audio Output	Built-in Loudspeaker + External Handset
Audio Compression Standard	G.711 U
Audio Compression Rate	64 Kbps
Ethernet	1 RJ45 10M/100M/1000M Self-Adaptive Ethernet
Wireless Internet	
Network Protocol	TCP/IP, SNMP, SIP, RTSP
Network Access	1 RJ45 10M/100M/1000M Self-Adaption Internet Access
RS485	2 RS485 Half-Duplex Ports
I/O Output	2 On-Off Output, 2 Relay Output
I/O Input	4 On-Off Input
SD Card	N/A
Power Supply	DC 12V
Power Consumption	≤10 W
Working Temperature	-10°C to +55°C (14° F to 131° F)
Dimension (L x W x H)	436 mm × 215 mm × 67 mm

INDOOR STATIONS



Short Description	Video Intercom Indoor Station	Video Intercom Indoor Station
Model	DS-KH6310/-W	DS-KH6310-WL
Processor	High-Performance Embedded SOC Processor	High-Performance Embedded SOC Processor
Operation System	Embedded Linux Operation System	Embedded Linux Operation System
Camera	N/A	N/A
Resolution	N/A	N/A
Video Frame	N/A	N/A
Display Screen	7-Inch Colorful TFT LCD	7-Inch Colorful TFT LCD
Display Resolution	800 × 480	800 × 480
Operation Method	Capacitive Touch Screen, Physical Key	Capacitive Touch Screen, Physical Key
Operation Interface	Flattened UI Operation Interface	Flattened UI Operation Interface
Audio Input	Built-in Omnidirectional Microphone	Built-in Omnidirectional Microphone
Audio Output	Built-in Loudspeaker	Built-in Loudspeaker
Audio Compression Standard	G.711 U	G.711 U
Audio Compression Rate	64 Kbps	64 Kbps
Ethernet	10M/100M Self-Adaptive Ethernet	1 RJ-45 10/100 Mbps Self-Adaptive Ethernet Interface
Wireless Internet	N/A	Wi-Fi 802.11b/g/n
Network Protocol	TCP/IP, SNMP, SIP, RTSP	TCP/IP, RTSP
Network Access	1 RJ45 10M/100M Self-Adaptive Ethernet Access	1 RJ-45 10/100 Mbps Self-Adaptive Ethernet Interface
RS485	1; RS-485 Half-Duplex	1 RS-485 Half-Duplex Port
I/O Output	1	1
I/O Input	8-ch Alarm Sensor Input	N/A
SD Card	N/A	2-ch Alarm Sensor Input
Power Supply	24 VDC, Power Over Network Cable [DS-KAD606, DS-KAD612]/12 V DC	24 VDC, Power Over Network Cable [DS-KAD606, DS-KAD612]/12 V DC
Power Consumption	≤10W	≤10 W
Working Temperature	-10° C to +55° C (14° F to 131° F)	-10° C to + 55° C (14° F to 131° F)
Dimension (L x W x H)	195.8 mm × 132.8 mm × 17.5 mm	217 mm × 142 mm × 26 mm (8.5" × 5.6" × 1.0")

VALUE INDOOR MONITOR



RED DOT INDOOR MONITOR



Short Description	2nd Generation IP Indoor Station	2nd Generation IP Indoor Station
Model	DS-KH6320-WTE1/EU	DS-KH8350-WTE1/EU
Processor		
Operation System	Embedded Linux operation system	Embedded Linux operation system
Camera		
Resolution		
Video Frame		
Display Screen	7-inch colorful TFT LCD	7-inch colorful IPS LCD
Display Resolution	1024 × 600	1024 × 600
Operation Method	Capacitive touch screen	Capacitive touch screen, physical button
Operation Interface		
Audio Input	Built-in omnidirectional microphone	Built-in omnidirectional microphone
Audio Output	Built-in loudspeaker	Built-in loudspeaker
Audio Compression Standard	G.711 U	G.711 U
Audio Compression Rate	64 Kbps	64 Kbps
Ethernet	10/100 Mbps self-adaptive network	10/100 Mbps self-adaptive network
Wireless Internet	Wi-Fi 802.11b/g/n	Wi-Fi 802.11b/g/n
Network Protocol	TCP/IP、SIP、RTSP	TCP/IP、SIP、RTSP
Network Access	1 RJ-45 10/100 Mbps self-adaptive	1 RJ-45 10/100 Mbps self-adaptive
RS485	1	Supported
I/O Output	2	2
I/O Input		
SD Card	Max to 32 G, SD 2.0 or lower version	Max to 32G, SD 2.0 or lower version
Power Supply	IEEE802.3af, standard PoE	IEEE802.3af, standard PoE12 VDC/1 A
Power Consumption	≤ 6 W	≤ 7 W
Working Temperature	-10 °C to 55 °C (14 °F to 131 °F)	-10 °C to 55°C (14 °F to 131 °F)
Dimension (L x W x H)	200 mm × 140 mm × 15.1 mm (7.9" × 5.5" × 0.6")	180 mm × 140 mm × 22.4 mm (7.09" × 5.51" × 0.88")

ULTRA INDOOR MONITOR



Short Description	2nd Generation IP Indoor Station
Model	DS-KH8520-WTE1/EU
Processor	
Operation System	Embedded Linux operation system
Camera	
Resolution	
Video Frame	
Display Screen	10.1-inch colorful TFT LCD
Display Resolution	1024 × 600
Operation Method	Capacitive touch screen
Operation Interface	
Audio Input	Built-in omnidirectional microphone
Audio Output	Built-in loudspeaker
Audio Compression Standard	G.711 U
Audio Compression Rate	64 Kbps
Ethernet	10/100 Mbps self-adaptive network
Wireless Internet	Wi-Fi 802.11b/g/n
Network Protocol	TCP/IP, SIP, RTSP
Network Access	1 RJ-45 10/100 Mbps self-adaptive
RS485	1
I/O Output	2
I/O Input	
SD Card	Max to 32 G, SD 2.0 or lower version
Power Supply	IEEE802.3af, standard PoE
Power Consumption	≤ 6 W
Working Temperature	-10 °C to 55 °C (14 °F to 131 °F)
Dimension (L x W x H)	254 mm × 166 mm × 14.7 mm (10.0" × 6.5" × 0.58")

INSTALLATION BOX, COVER AND STAND



Short Description	Protective Heavy-Duty Shield	Protective Shield	Gang Box
Model	DS-KAB01	DS-KAB02	DS-KAB86
Compatibility	DS-KV8X02-IM	DS-KV8X02-IM	All Indoor Stations
Housing material	Stainless Steel SUS201	Stainless Steel SUS201	PVC
Inner-shell material	SGCC	SGCC	
Working temperature	-30° C to +60° C	-30° C to +60° C	-5° C to +60° C
Working humidity	10% to 90%	10% to 90%	10% to 90%
Dimension (L x W x H)	212×115×75	193×106×75 mm	81×78×50 mm
Cover Dimension (L x W x D)			
Installation Frame Dimension (L x W x D)			
Gang Box Dimension (L x W x D)			

INSTALLATION BOX, COVER AND STAND



Short Description	Protective Shield	Protective Shield
Model	DS-KAB10-D	DS-KAB11-D
Compatibility	DS-KD8102-V	DS-KD8002-VM
Housing material	Stainless Steel	Stainless Steel
Inner-shell material	SGCC	SGCC
Working temperature	-40° C to +70° C	-40° C to +70° C
Working humidity	10% to 90%	10% to 90%
Dimension (L x W x H)	489.6×171.88×105.41 mm	424×149×98 mm
Cover Dimension (L x W x D)		
Installation Frame Dimension (L x W x D)		
Gang Box Dimension (L x W x D)		

INSTALLATION FRAME AND GANG BOX



Short Description	Installation Frame and Gang box	Installation Frame and Gang box	Installation Frame and Gang box	Installation Frame and Gang box
Model	DS-KD-ACF2(Plastic)	DS-KD-ACF3(Plastic)	DS-KD-ACW2	DS-KD-ACW3
Compatibility	2 modules	3 modules	2 modules	3 modules
Housing material				
Inner-shell material				
Working temperature	-40° C to +60° C (-40° F to 140° F)	-40° C to +60° C (-40° F to 140° F)	-40° C to +60° C (-40° F to 140° F)	-40° C to +60° C (-40° F to 140° F)
Working humidity	10% to 95%	10% to 95%	10% to 95%	10% to 95%
Dimension (L x W x H)				
Cover Dimension (L x W x D)	236 x 124 x 4 mm(9.29" x 4.88" x 0.16")	337.8 x 124 x 4 mm(13.3" x 4.88" x 0.16")	219 x 107 x 4 mm(8.62" x 4.21" x 0.16")	320.8 x 107 x 4 mm(12.6" x 4.21" x 0.16")
Installation Frame Dimension (L x W x D)			219 x 107 x 32.7 mm(8.62" x 4.21" x 1.29")	320.8 x 107 x 32.7 mm(12.6" x 4.21" x 1.29")
Gang Box Dimension (L x W x D)	237 x 134 x 56 mm(9.33" x 5.27" x 2.20")	338.8 x 134 x 56 mm(13.33" x 5.28" x 2.20")		

IP DISTRIBUTOR



POWER SUPPLY



Short Description	Slim Size Video/Audio distributor	Power Supply for Door Station in Metal Box	Power Supply for Door Station without Box
Model	DS-KAD606-P	DS-KAW50-1	DS-KAW50-1N
Interface Number	Interface type RJ-45	Interface type RJ-45	
Standard	IEEE802.3, IEEE802.3u, IEEE802.3x	IEEE802.3, IEEE802.3u, IEEE802.3x	
Processing Type	Storing and Forwarding	Storing and Forwarding	
Priority queue	Four	Four	
MAC Address List	8K	8K	
Internal Buffer	1 Mbit	1 Mbit	
Power Supply	Power supply 24 VDC (Not Included)	Power supply 24 VDC (Included)	100-240VAC
Voltage Adjustment Range			11-14Vdc
Output Power			50W
Output Current			4.17A
Noise and Ripple			< 150mVpp
Power Dissipation	≤8 W	≤8 W	
Operating Temperature	-30° C to 70° C	-30° C to 70° C	-10~+70
Operating Humidity	5 to 95%, No Condensation	5 to 95%, No Condensation	5 to 95%, No Condensation
Size	274.5×142× 51 mm	274.5×142× 51 mm	98*97*38mm
Weight			0.23kg
Interface Type1	RJ45, Full/Half-Duplex, MDI/MDI-X Self-Adaptive	RJ45, Full/Half-Duplex, MDI/MDI-X Self-Adaptive	12VDC
Interface type2	Back Pressure(Half-Duplex)	Back Pressure(Half-Duplex)	

INTRUSION PROTECTION WITH VISION

AX Series
Control Panel

7
Seconds Video

Confirm alarm
by the buffered
7-second video
Clearly
Remotely



WIRELESS CONTROL PANEL KIT



NEW



NEW



NEW



Short Description	868MHz Wireless control Panel Kits with IC Cards (GPRS Version)	868MHz Wireless Control Panel Kits with keyfob	868MHz Wireless Control Panel Kits with keyfob (GPRS Version)	868MHz Wireless control Panel Kits with IC Cards (3G/4G Version)
Model	DS-PWA32-NGT	DS-PWA32-NK	DS-PWA32-NK6	DS-PWA32-NST
on board LAN&WIFI	Support	Support	Support	Support
GPRS	Yes	No	Yes	No
3G/4G	No	No	No	Yes
Tag Reader	Yes	No	No	Yes
keyfob included	No	Yes	Yes	No

WIRELESS PIR DETECTOR



Short Description	Wireless PIR Detector
Model	DS-PD2-P10P-W
Detection Range	10m
Detection Angle	85°
Mounting Height (m)	1.8m - 2.4m
Animal immunity (kg)	Up to 24kg
Transmission frequency	868MHZ FM transceiver
3V lithium battery included	1×CR123A
Tamper protection	support
Signal Strength Indicators (SSI)	support
Coverage	Volumetric Pet immunity
Creep-Zone protection	No
Minimal Battery Life(Years)	2
Certification	EN50131 Grade 2

WIRELESS DUAL-TECH DETECTOR



Short Description	Wireless Dual-Tech Detector
Model	DS-PD2-D12-W
Dimensions(L x W x H) (mm)	69*117*59
Detection Range	12m
Detection Angle	85°
Mounting Height (m)	1.8-2.4
Animal immunity (kg)	No
Creep-Zone protection	Support
Microwave Frequency	10.515GHz, 10.525GHz, 10.535GHz
Tamper protection	Support
Signal Strength Indicators (SSI)	Support
Walk Test Buzzer	No
LED indication for Microwave, infered and alarm	Support
Transmission frequency	868mhz
3V lithium battery included	Yes
Minimal Battery Life(Years)	2
Certification	EN50131 Grade 2
Environmental protection grade	N/A

WIRELESS OUTPUT EXPANDER



Short Description	wireless output expander	wireless output expander
Model	DS-PM-W02	DS-PM-W08
Dimensions(L x W x H) (mm)	160 mm × 105 mm × 28 mm (6.29" × 4.13" × 1.10")	160 mm × 105 mm × 28 mm (6.29" × 4.13" × 1.10")
Input		
output	2, NO/NC	8, NO/NC
Transmission frequency	868MHz	868MHz
Battery		
Power Supply	9 to 15 VDC	9 to 15 VDC

WIRELESS INPUT EXPANDER



Short Description	wireless Input expander
Model	DS-PM-WI1
Dimensions(L x W x H) (mm)	84 mm × 25 mm × 21 mm (2.52" × 0.75" × 0.63")
Input	1 NC input
output	
Transmission frequency	868MHz
Battery	
Power Supply	CR123 A/3 V

TWO-WAY KEYFOB



Short Description	Two-way Keyfob 868M
Model	DS-PKFE-5(868)
Dimensions(L x W x H) (mm)	63* 49*16
Weight	24.5g
Transmission frequency	868mhz
Button	5
Encryption Scheme	Rolling code DES
Battery Life	2 years
Distance (open space)	300m

WIRELESS MAGENETIC CONTACT



Short Description	Wireless Magenetic Contact
Model	DS-PD1-MC-WWS
RF transmit distance	800m (Open area)
Tamper proof	Support
Transmit frequency	868mhz
Dimension (mm)	27*104* 25
Weight(g)	
Battery Life (Years)	2



MONITORS

Hikvision also offers a selection of monitors to complement your security solution. Whatever size you need - from 19" to 84", our LED displays give you eyes on your security solution.

SWITCHES

Hikvision also offers a range of professional switches to maximise the effect of your solution by extending your reach and increasing your data capacity.

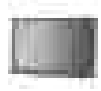
DE-/ENCODERS

There are a number of Decoder and Encoder products to choose from to complement your solution.

KEYBOARDS & ACCESSORIES

To further enhance any surveillance system, Hikvision provides a comprehensive set of keyboards & accessories; video balun, coaxial transmission, PoE video repeaters, microphone, HDD and brackets.

18.5"



NEW

21.5"



NEW

23.6"



Short Description	19" 1080P Monitor	22" 1080P Monitor	22" 1080P Monitor	24" 1080P Monitor
Model	DS-D5019QE-B/EU	DS-D5022FC(EU)	DS-D5022QE-B/EU	DS-D5024FC
Display Type	LED-Backlit TFT LCD	LED-Backlit	LED-Backlit	LED-Backlit
Resolution	1366 x 768	1920 x 1080	1920 x 1080	1920 x 1080
Contrast	600:1	1000:1	1000:1	1000:1(Typical) DCR 30,000,000:1
Response Time	5ms	5ms	5ms	5ms
VESA	75 mm x 75 mm	100mm x 100mm	100mm x 100mm	100mm x 100mm
Power Supply	100 to 240 VAC, 50/60Hz	DC 12V/3.0A	100 ~ 240V AC	AC 100~240V
Power Consumption	< 25 W(on) < 0.5 W(Standby)	< 30W(on) < 0.5W(Standby)	< 30W(on) < 0.4W(Standby)	< 30W(on) < 0.5W(Standby)
Operation Temperature	0°C - 40 °C	0°C - 40 °C	0°C - 40 °C	0°C - 40 °C
Dimension	445.58 mm x 274.99 mm x 44.6mm	511.4mm x 313.0mm x 45.4mm	511mm x 377mm x 170mm	561x339x218.5 (mm)22.1x13.3x8.6(inch)
Frame Width/Height (T/B/L/R)				
Weight	3.5 Kg(Gross weight) , 2.8 Kg(Net weight)	4.6Kg(Gross weight) , 3.2(Net weight)	4.5Kg(Gross weight) , 3.3(Net weight)	6.0Kg(Gross weight) , 5.1(Net weight)

23.8"



32"



NEW

43"



NEW

Short Description	24" 1080P Monitor	32" 1080P Monitor	32" 1080P Monitor	43" 1080P Monitor
Model	DS-D50240E	DS-D5032FL	DS-D50320E	DS-D50430E
Display Type	LED-Backlit TFT LCD	LED-Backlit TFT LCD	TFT-LED Backlight	TFT-LED Backlight
Resolution	1920 x 1080	1920 x 1080	1920 x 1080	1920 x 1080
Contrast	1000:1(Typical)	3000:1	1400:1	1200:1
Response Time	14ms	6.5 ms	8 ms	8ms
VESA		200 mm x 200 mm	100 mm x 100 mm	
Power Supply	AC100V--240V 50/60Hz	100 to 240 VAC, 50/60Hz	100 to 240 VAC, 50/60Hz	100 - 240 V AC, 50/60 Hz
Power Consumption	≤30W	< 60W(on) < 1W(Standby)	≤ 45 W	≤75W
Operation Temperature	0 to 40 °C	0°C - 40 °C	0°C - 40°C	0 to 40 °C
Dimension	555 mm×339 mm×46 mm / 555mm×433mm×226mm(with base)	737.4 mm × 452.5 mm × 70.65 mm (29.03" x 17.81" x 2.78")	728.8 mm x 526 mm x 167.2 mm	968.18mm*562.99mm*76.8mm
Frame Width/Height (T/B/L/R)				
Weight	5.1Kg(Gross weight) , 3.7Kg(Net weight)	19 Kg(Gross weight) ,12 Kg (Net weight)		

55"



NEW

55"



Short Description	55" 4k Display	55" 4k Display
Model	DS-D5055UC	DS-D5055UL-B
Display Type	LED Backlight	LCD Backlight
Resolution	3840 × 2160@60Hz	3840 × 2160
Contrast	1200:1	1100:1
Response Time	8ms	8 ms
VESA		
Power Supply	100 to 240 VAC, 50/60Hz	100 to 240 VAC, 50/60Hz
Power Consumption	≤180W	≤ 100 W
Operation Temperature	0 to 40 ° C (0 to 104 ° F)	0 to 40 ° C (0 to 104 ° F)
Dimension	400mm*200mm/400mm*400mm	
Frame Width/Height (T/B/L/R)		
Weight		≤ 41 kg (90.4 lb)(Gross weight), ≤ 35 kg (77.2 lb)(Net weight)



28"







Short Description	28" 4K Monitor	50" 4k Monitor
Model	DS-D5028UC	DS-D5050UC
Display Type	LED Backlight	LED Backlight
Resolution	1920×1080@60Hz(Analog),3840×2160@60Hz(HDMI2.0/DP)	3840 × 2160@60Hz
Contrast	1100 : 1	4000: 1
Response Time	5.5 ms	8ms
VESA		
Power Supply	AC 110-240V; 50/60Hz	100 to 240 VAC, 50/60Hz
Power Consumption	≤45W(Typ), ≤70W(Max)	≤ 117W
Operation Temperature	0 to 40 ° C (0 to 104 ° F)	0 to 40 ° C (0 to 104 ° F)
Dimension	659.7(W)X390.9(H)X49.3mm(D)	1123.6 × 649.3 × 77 mm
Frame Width/Height (T/B/L/R)		
Weight	7.2Kg(Gross weight) , 5.6 Kg(Net weight)	12.35Kg(Gross weight) , 10.22Kg(Net weight)

50"



	5 PORTS	9 PORTS	8 PORTS	18 PORTS
			 NEW	
Short Description	5-ports 100Mbps Unmanaged PoE Switch	9-ports 100Mbps Unmanaged PoE Switch	10-ports 100Mbps Unmanaged PoE Switch with 2 uplink port	18-ports 100Mbps Unmanaged PoE Switch
Model	DS-3E0105P-E	DS-3E0109P-E/M	DS-3E0310HP-E	DS-3E0318P-E
Network Ports	5	9	10	18
Switching Capacity	1Gbps	1.8 Gbps	3.6 Gbps	7.2Gbps
Max. Forwarding Rate	0.74Mpps			5.36Mpps
High Priority Ports	Port 1	Port 1 - 2		Ports 1-8
Flow Control	IEEE802.3x full duplex			IEEE802.3x full duplex
PoE Standard	IEEE802.3af, IEEE802.3at	IEEE 802.3af, IEEE802.3at	IEEE 802.3, IEEE 802.3u, IEEE 802.3x, IEEE 802.3ab, and IEEE 802.3z	IEEE802.3af,IEEE802.3at
PoE Power Budget	58W	58 W	110W	230W
Working Mode	Extend On:250m,10M,CAT 5eExtend Off:100m	EXTEND OFF, EXTEND ON	Extend On:250m	Extend On:250m,10M,CAT 5e Extend Off:100m
Power Supply	51V DC, 1.25A	51 V DC	48 VDC, 2.5 A	100-240V AC, 50/60Hz
Working Temperature	00-400	0 °C - 40 °C	00-400	00-400
	26 PORTS	10 PORTS	18 PORTS	26 PORTS
				
Short Description	26-ports 100Mbps Unmanaged PoE Switch	Web-managed PoE switch with 8 100M PoE electrical ports and 2 1000M COMBO ports	Web-managed PoE switch with 16 100M PoE electrical ports and 2 1000M COMBO ports	Web-managed PoE switch with 24 100M PoE electrical ports and 2 1000M COMBO ports
Model	DS-3E0326P-E	DS-3E1310P-E	DS-3E1318P-E	DS-3E1326P-E
Network Ports	26	10	18	26
Switching Capacity	8.86bps	5.4 Gbps	7.2 Gbps	8.8 Gbps
Max. Forwarding Rate	6.55Mpps			
High Priority Ports	Ports 1-8	Port 1 to 8	Port 1 to 8	Port 1 - 8
Flow Control	IEEE802.3x full duplex			
PoE Standard	IEEE802.3af, IEEE802.3at	IEEE 802.3af, IEEE802.3at	IEEE 802.3af, IEEE802.3at	IEEE 802.3af, IEEE802.3at
PoE Power Budget	370W	123W	230W	370W
Working Mode	Extend On:250m,10M,CAT 5e Extend Off:100m	Extend On:250m,10M,CAT 5eExtend Off:100m	Extend On:250m,10M,CAT 5e Extend Off:100m	
Power Supply	100-240V AC, 50/60Hz	100-240V AC, 50/60Hz	100-240V AC, 50/60Hz	100 to 240 VAC, 50/60Hz
Working Temperature	00-400	00-400	00-400	0 °C to +40 °C [+32 °F to +104 °F]

	10 PORTS	18PORTS
		
		
Short Description	Gigabit POE switch with 8 Gigabit POE ports, 1 Gigabit RJ45 uplink port, 1 Gigabit SFP uplink port	Gigabit POE switch with 16 Gigabit POE ports, 1 Gigabit RJ45 uplink port, 1 Gigabit SFP uplink port
Model	DS-3E0510P-E	DS-3E0518P-E
Network Ports	10	18
Switching Capacity	20 Gbps	36 Gbps
Max. Forwarding Rate		
High Priority Ports		
Flow Control		
PoE Standard	IEEE 802.3af, IEEE802.3at	IEEE 802.3af, IEEE802.3at
PoE Power Budget	110 W	230 W
Working Mode		
Power Supply	48 VDC, 2.5 A	100 to 240 VAC, 50/60 Hz, Max. 4 A
Working Temperature	0 °C to +40 °C (+32 °F to +104 °F)	0 °C to +40 °C (+32 °F to +104 °F)

	OUTDOOR
	
Short Description	15km outdoor wifibridge
Model	DS-3WF03C
Network Ports	
Switching Capacity	
Max. Forwarding Rate	
High Priority Ports	
Flow Control	
PoE Standard	
PoE Power Budget	
Working Mode	
Power Supply	
Working Temperature	

	6 PORTS	10 PORTS
		
Short Description	Industrial POE switch	Industrial POE switch
Model	DS-3T0306P	DS-3T0310P
Network Ports	6	10
Switching Capacity		
Max. Forwarding Rate		
High Priority Ports		
Flow Control		
PoE Standard	IEEE 802.3af, IEEE802.3at	IEEE 802.3af, IEEE802.3at
PoE Power Budget	120W	240W
Working Mode		
Power Supply	DC: 44~57VDC	DC: 44~57VDC
Working Temperature	-40°C – 75°C	-40°C – 75°C


DS-1H05-R
Coaxial to Network Transmission
Accessory



DS-1H05-T
Network to Coaxial Transmission
Accessory



DS-1H18S,DS-1H18S/E,DS-
1H18S/E-E **NEW**
Video Balun



DS-1H34-0101P
PoE Video Repeater




DS-1H34-0102P
PoE Video Repeater




DS-1LN5E-E/E
Cable-Network cable **NEW**



DS-1LN5E-S
U/UTP 4Pairs cable-category 5E-
PVC Sheath



DS-1LN6-UU
U/UTP 4Pairs cable-category 6-
PVC Sheath



DS-2FP2020
HI-FI Microphone



HS-TF-L2I/128G
microSDXC™/128GB/Class10/TLC

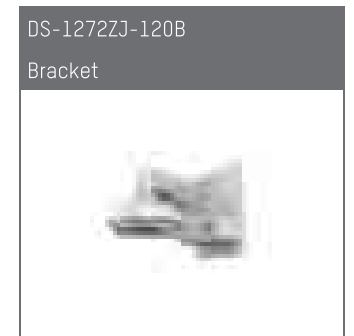
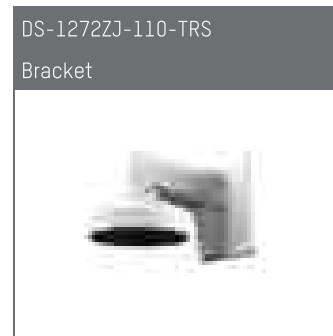
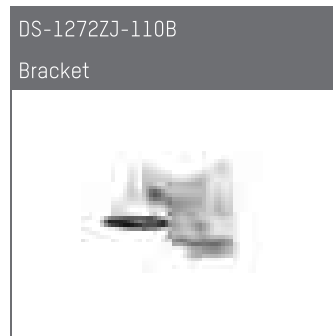
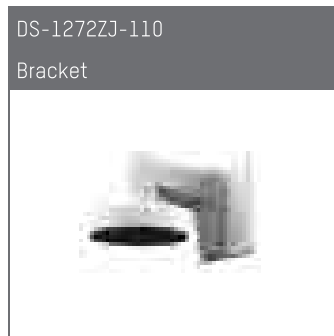
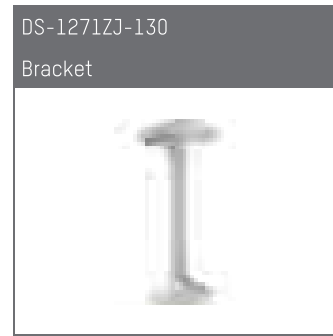
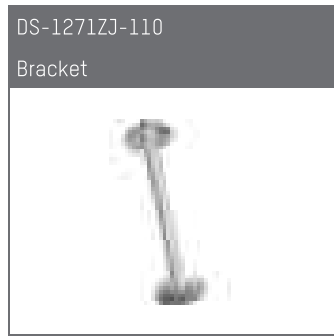
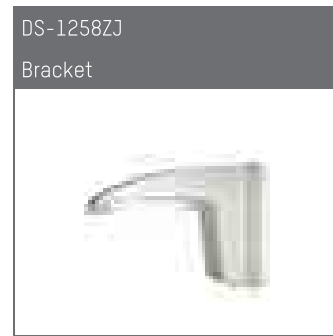
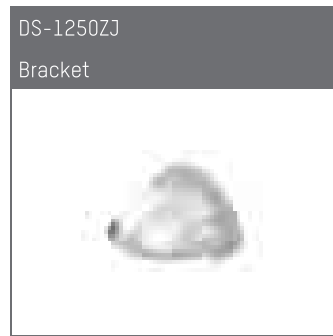


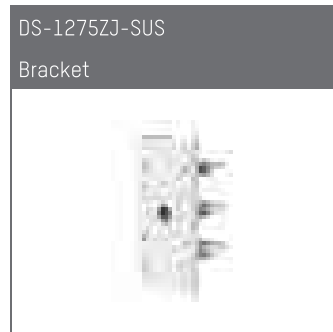
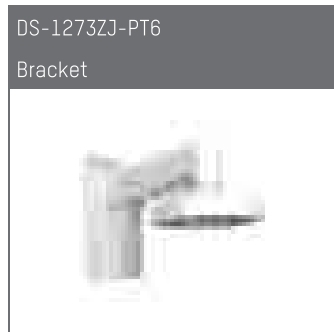
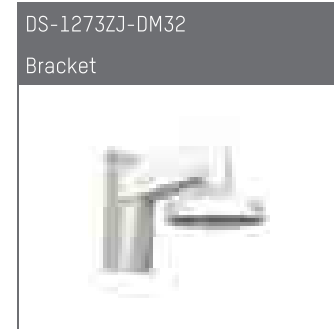
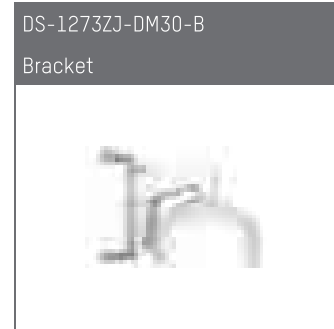
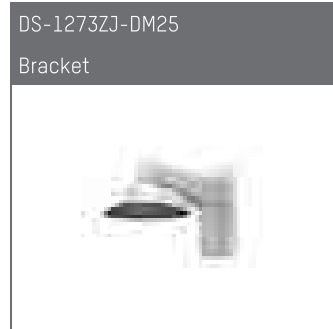
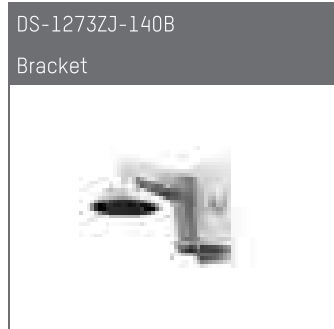
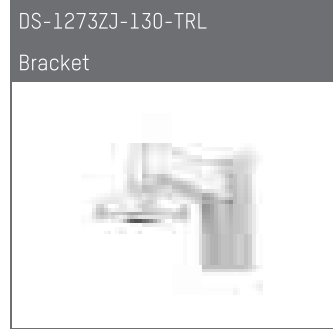
HS-TF-L2I/32G
microSDHC™/32GB/Class10/TLC

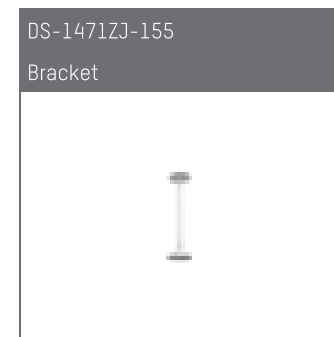
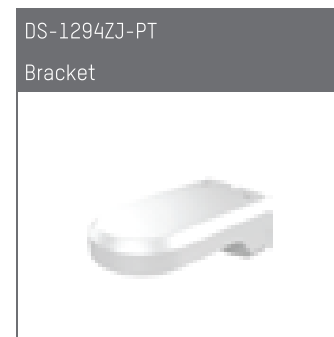
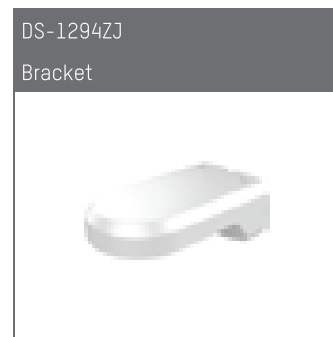
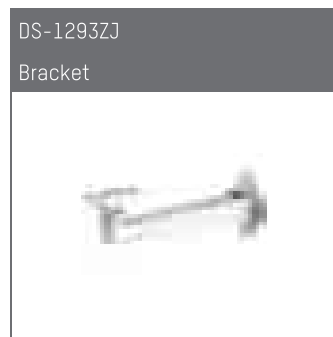
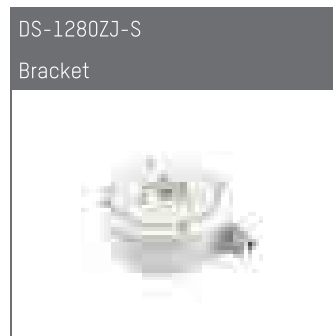


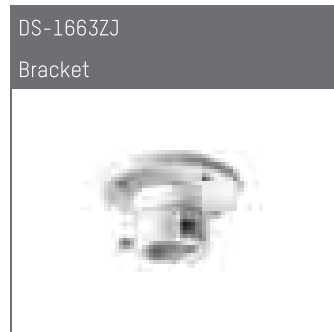
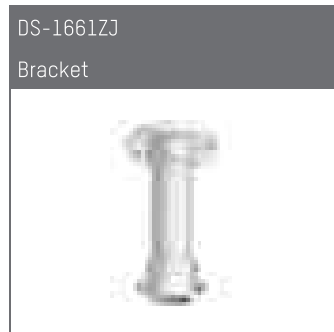
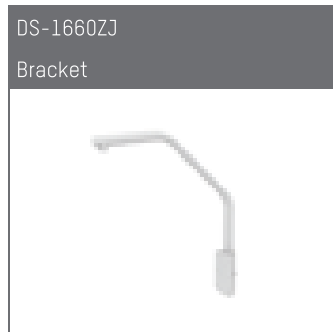
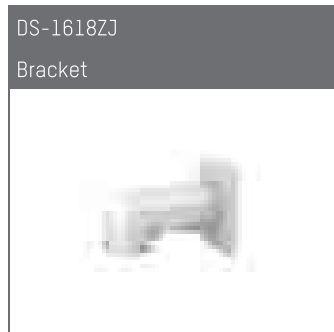
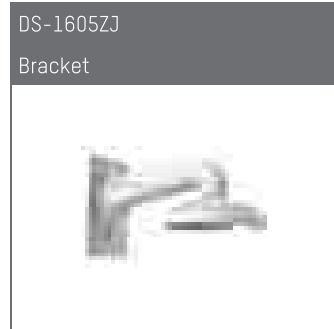
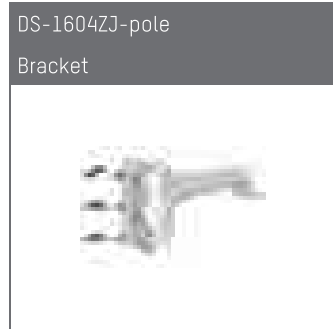
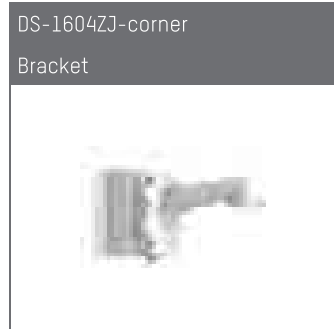
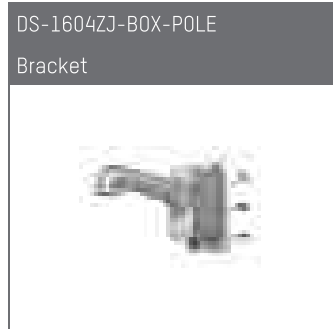
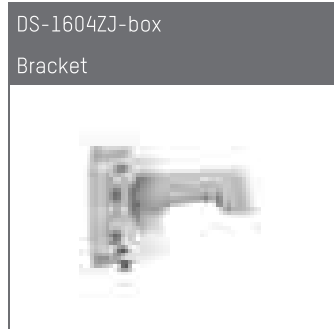
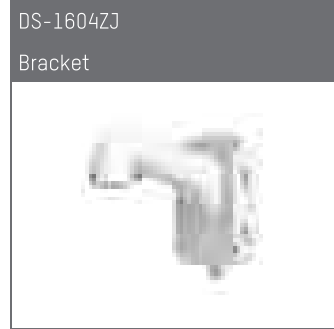
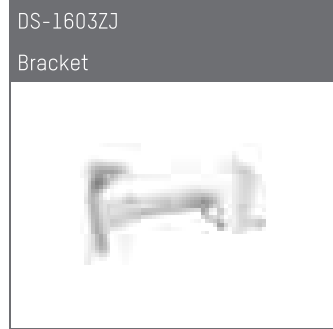
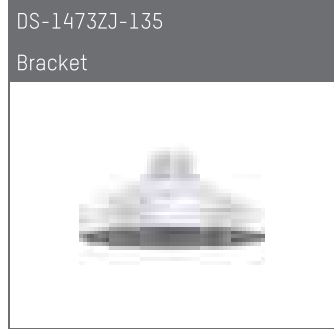
HS-TF-L2I/64G **NEW**
microSDXC™/64GB/Class10/TLC

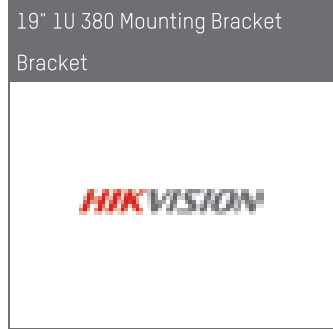
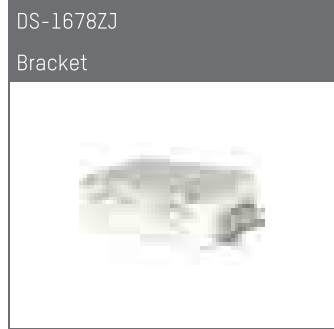






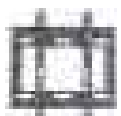
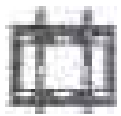

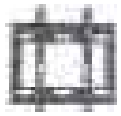



















BRACKET

MONITOR & LCD

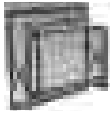
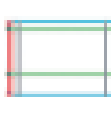

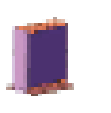
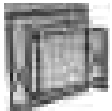
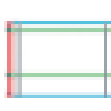

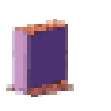
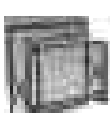
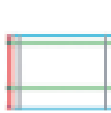


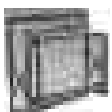
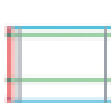


Monitor Model	Wall Mounted Bracket	Base Bracket
DS-D5019QE DS-D5019QE-B/EU DS-D5022QE-B/EU DS-D5024QE DS-D5027QE DS-D5032QE DS-D5022FC/EU DS-D5024FC DS-D5032FC-A DS-D5028UC		base bracket included in monitor's package
	DS-DM1940W Wall-mounted bracket, available for size from 19 to 40 (VESA standard), M4/M6, 75x75,100x100, 150x150, 200x200	
DS-D5032FL DS-D5032FL-B DS-D5032FL-C		
	DS-DM1940W Wall-mounted bracket, available for size from 19 to 40 (VESA standard), M4/M6, 75x75,100x100, 150x150, 200x200	DS-DM3201B Base bracket, available for DS-D5032FL, DS-D5032FL-B, DS-D5032FL-C, M6, 200x200
DS-D5040FC		
	DS-DM1940W Wall-mounted bracket, available for size from 19 to 40 (VESA standard), M4/M6, 75x75,100x100, 150x150, 200x200	DS-DM4001B Base bracket, available for DS-D5040FC, M4, 100x100

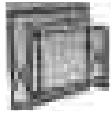
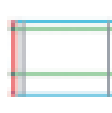

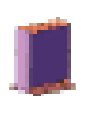

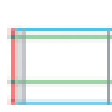






Monitor Model	Wall Mounted Bracket	Base Bracket
DS-D5043FC		
	DS-DM4255W Wall-mounted bracket, available for size from 42 to 55(VESA standard), M6, 200x200, 300x300, 400x400	DS-DM4302B Base bracket, available for DS-D5043FC, M6, 200x300
DS-D5043FL		
	DS-DM4255W Wall-mounted bracket, available for size from 42 to 55(VESA standard), M6, 200x200, 300x300, 400x400	DS-DM4301B Base bracket, available for DS-D5043FL, M6, 400x200
DS-D5049FL		
	DS-DM4255W Wall-mounted bracket, available for size from 42 to 55(VESA standard), M6, 200x200, 300x300, 400x400	DS-DM4901B Base bracket, available for DS-D5049FL, M6, 300x200

Monitor Model	Wall Mounted Bracket	Base Bracket
DS-D5055FL		
	DS-DM4255W Wall-mounted bracket, available for size from 42 to 55(VESA standard), M6, 200x200, 300x300, 400x400	DS-DM5501B Base bracket, available for DS-D5055FL, M6, 400x300
DS-D5050UC		coming soon
	DS-DM4255W Wall-mounted bracket, available for size from 42 to 55(VESA standard), M6, 200x200, 300x300, 400x400	
DS-D5055UL-B		
	DS-DM4255W Wall-mounted bracket, available for size from 42 to 55(VESA standard), M6, 200x200, 300x300, 400x400	DS-DM5502B Base bracket, available for DS-D5055UL-B, M6, 300x200
DS-D5086UL		coming soon
	DS-DM6586W Wall-mounted bracket, available for size from 65 to 86(VESA standard), M8, 600x400, 600x500, 500x500	

BRACKET









MONITOR & LCD

LCD video wall Model	Wall Mounted Push& PullBracket	Wall Mounted normal Bracket	Floor Standing Modular Bracket	
			Cabinet Frame	Base Frame
DS-D2046NL-B				
	DS-DN4601W	DS-DN4655W/U	DS-DN46B1M/F	DS-DN46B1M/B Modular bracket, Pedestal part, available for DS-D2046NL-B, DS-D2046NL-B/Z, DS-D2046NH-B/Z, High: 800mm
DS-D2046NL-C DS-D2046NH-C				
	DS-DN4601W	DS-DN4655W/U	DS-DN46C2M/F	DS-DN46C2M/B Modular bracket, Pedestal part, available for DS-D2046NL-C and DS-D2046NH-C, High: 800mm
DS-D2046NH-E				
	DS-DN4601W	DS-DN4655W/U	DS-DN46E3M/F	DS-DN46E3M/B Modular bracket, Pedestal part, available for DS-D2046NH-E, High: 800mm
DS-D2049NL-B				
	DS-DN4901W	DS-DN4655W/U	DS-DN49B4M/F	DS-DN49B4M/B Modular bracket, Pedestal part, available for DS-D2049NL-B, High: 800mm



LCD video wall Model	Wall Mounted Push& PullBracket	Wall Mounted normal Bracket	Floor Standing Modular Bracket	
			Cabinet Frame	Base Frame
DS-D2055NL-B DS-D2055NH-B				
	DS-DN5501W	DS-DN4655W/U	DS-DN55B4M/F	DS-DN55B3M/B Modular bracket, Pedestal part, available for DS-D2055NL-B, DS-D2055NH-B, DS-D2055NH-B/G, DS-D2055NL-B/G, High: 800mm
DS-D2055NL-B/G DS-D2055NH-B/G				
	DS-DN5501W	DS-DN4655W/U	DS-DN55B3M/F	DS-DN55B3M/B Modular bracket, Pedestal part, available for DS-D2055NL-B, DS-D2055NH-B, DS-D2055NH-B/G, DS-D2055NL-B/G, High: 800mm
DS-D2055NL-E/G DS-D2055NH-E/G				
	DS-DN5501W	DS-DN4655W/U	DS-DN55E4M/F	DS-DN55E4M/B Modular bracket, Pedestal part, available for DS-D2055NL-E/G, DS-D2055NH-E/G, High: 800mm

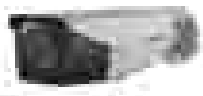






BRACKET

ANALOGUE CAMERA







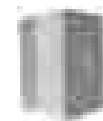




Product form	Model	Relevant brackets and housings					
		Indoor			Indoor housing		Outdoor housing
	DS-2CC12D9T-A DS-2CC12D9T-E						
	DS-2CE37U8T-A	DS-1299ZJ Pendant Mount	DS-1280ZJ-XS Junction box	DS-1292ZJ Wall mount	DS-1332HZ Indoor housing	DS-1330HZ Indoor housing	DS-1331HZ Series Outdoor housing
		Hik white Aluminum Alloy 77×77×198mm 165g	Hik white Aluminum Alloy Φ100 x 43.2 x 129mm 320g (Match up with DS-1299ZJ)	Hik white Aluminum alloy 70×97.1×217.9mm 201g	Hik white Aluminum alloy 288×149×100mm 800g	Hik white Complex fiber 290×142×92mm 640g	Hik white Aluminum alloy













Product form	Model	Relevant brackets and housings			
		Indoor/Outdoor			
	DS-2CE16C5T-(A)M/FIR3				
	DS-2CE16C5T-IT1/IT3 DS-2CE16C2T-IT5 DS-2CE16C5T-IT5	DS-1275ZJ-SUS Vertical pole mount	DS-1280ZJ-S Junction box	DS-1260ZJ Junction box	DS-1276ZJ-SUS Corner mount
	DS-2CE16D9T-AIRAZH	Hik white Stainless Steel 127×46× 250mm Diameter of clamp: Φ67 -127mm 1205g	Hik white Aluminum alloy Φ137 x 53.4x 164.8mm 527g	Hik white Aluminum alloy Φ105 mm	Hik white Stainless Steel 126×105× 250mm 2280g








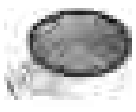




Product form	Model	Product form	Model	Relevant brackets and housings
	DS-2CE16C0T-IR(P)(F) DS-2CE16C2T-IR(P) DS-2CE16D0T-IR(P)(F)(E)		DS-2CE17U8T-IT	
	DS-2CE16C2T-IT1/IT3		DS-2CE11D8T-PIRL(P)(O) DS-2CE11H0T-PIRL(P)(O) DS-2CE11D0T-PIRL(P)(O)	DS-1280ZJ-XS Junction box
	DS-2CC12D9T-IT3E/IT5E DS-2CE16C0T-IT1/IT3/IT5 DS-2CE16D0T-IT1/IT3/IT5 DS-2CE16D8T-IT1(F)(E)/IT3(F)(E)/IT5(F)(E) DS-2CE16H5T-IT1/3/5E DS-2CE16H0T-IT1/3/5F(E) DS-2CE16H8T-IT1/3/5F DS-2CE16U1T-IT1/3/5F DS-2CE16U7T-IT1/3/5F DS-2CE16D3T-IT1/3/5F DS-2CE16C5T-IT5		DS-2CE12D8T-PIRL(O) DS-2CE12H0T-PIRL(O) DS-2CE18U8T-IT3 DS-2CE12D0T-PIRL(O)	Hik white Aluminum Alloy Φ100 x 43.2 x 129mm 320g
	DS-2CE16H8T-ITF DS-2CE16U7T-ITF		DS-2CE10DFT-F	
			DS-2CE12DFT-F	









Product form	Model	Relevant brackets and housings		
		Indoor/Outdoor		
	DS-2CC12D9T-AIT3ZE DS-2CE16D8T-(A)IT3(F)(Z)			
		DS-1275ZJ-SUS Vertical pole mount	DS-1280ZJ-S Junction box	DS-1276ZJ-SUS Corner mount
	DS-2CE16H5T-(A)IT3Z DS-2CE16H0T-(A)IT3ZF DS-2CE19H8T-(A)IT3ZF DS-2CE19U1T-(A)IT3ZF DS-2CE19U7T-(A)IT3ZF DS-2CE19D3T-(A)IT3ZF	Hik white Stainless Steel 127×46×250mm Diameter of clamp: Ø67-127mm 1480g	Hik white Aluminum alloy Ø137 x 53.4x 164.8mm 527g	Hik white Stainless Steel 126×105×250mm 2280g
	DS-2CE16C2T-VFIR3 DS-2CE16D0T-VFIR3F			
	DS-2CE19U8T-(A)IT3Z			
	DS-2CE16C5T-AIT3Z			



Product form	Model	Relevant brackets and housings								
		Indoor/Outdoor								
	DS-2CE59U7T-(A)VPIT3ZF DS-2CE59H8T-(A)VPIT3ZF DS-2CE59U1T-(A)VPIT3ZF									
	DS-2CE59U8T-(A)VPIT3Z	DS-1271ZJ-140 Pendant Mount	DS-1273ZJ-140 Wall mount	DS-1273ZJ-140B Wall mount	DS-1241ZJ In-ceiling mount	DS-1240ZJ Inclined ceiling mount	DS-1275ZJ-SUS Vertical pole mount	DS-1276ZJ-SUS Corner mount	DS-1253ZJ-L Rain shade	DS-1250ZJ Rain shade
	DS-2CE56C5T-(A)VPIR3	Hik white Aluminum alloy Ø150×565mm 1900g	Hik white Aluminum alloy 140×183.5×232mm 703g	Hik white Aluminum alloy with junction box 140×243×292mm 1488g	Hik white Aluminum alloy Ø200×26.8mm 300g	Hik white Aluminum alloy Ø145×63mm 440g	Hik white Stainless Steel 127×46×250mm Diameter of clamp: Ø67-127mm 1480g Match up with wall mount(DS-1273ZJ- XX(B))	Hik white Stainless Steel 126×105×250mm 2280g Match up with wall mount(DS-1273ZJ- XX(B))	Hik white Composite Fibre Ø225.1×98mm 198g Match up with wall mount(DS- 1273ZJ-140)	Hik white Composite Fibre 264.7*152*189.6 mm 199g




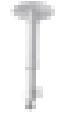
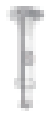


Product form	Model	Relevant brackets and housings								
		Indoor								
	DS-2CE56H8T-(A)ITZF DS-2CE56U1T-(A)ITZF									
	DS-2CE56C5T-(A)VFIR DS-2CE56D0T-VFIR	DS-1271ZJ-130	DS-1273ZJ-130	DS-1273ZJ-130B	DS-1249ZJ	DS-1275ZJ-SUS	DS-1276ZJ-SUS	DS-1253ZJ-L	DS-1250ZJ	
		Pendant Mount	Wall mount	Wall mount	In-ceiling mount	Vertical pole mount	Corner mount	Rain shade	Rain shade	
	DS-2CC52D9T-AITZE DS-2CE56D8T-(A)ITZ(F)(E) DS-2CE5AD8T-AVPIT3Z DS-2CE56H5T-(A)ITZ(E) DS-2CE56H0T-(A)ITZF DS-2CE56H0T-ITZE	Hik white Aluminum alloy Φ150×565mm 1900g	Hik white Aluminum alloy 132×183.5×228.5mm 690g	Hik white Aluminum alloy with junction box 132×243×288.5mm 1475g	Hik white ABS plastic Φ169.4×14.6mm 60g	Hik white Stainless Steel 127×46×250mm Diameter of clamp: Φ67- 127mm 1480g Match up with wall mount(DS-1273ZJ-XX(B))	Hik white Stainless Steel 126X105X250mm 2280g Match up with wall mount(DS-1273ZJ-XX(B))	Hik white Composite Fibre Φ225.1×98mm 198g Match up with wall mount(DS-1273ZJ-130)	Hik white Composite Fibre 264.7*152*189.6 mm 199g	












Product form	Model	Relevant brackets and housings									
		Indoor									
	DS-2CE56D8T-VPIT(F)(E) DS-2CE56H5T-VPITE DS-2CE56H0T-VPIT(F)(E) DS-2CE57U8T-VPIT DS-2CE57D3T-VPITF DS-2CE57H8T-VPITF DS-2CE57U1T-VPITF DS-2CE57U7T-VPITF										
		DS-1259ZJ	DS-1271ZJ-110	DS-1272ZJ-110	DS-1272ZJ-110B	DS-1275ZJ-SUS	DS-1276ZJ-SUS	DS-1280ZJ-DM18	DS-1258ZJ	DS-1253ZJ-M	DS-1250ZJ
		Inclined ceiling mount	Pendant mount	Wall mount	Wall mount	Vertical pole mount	Corner mount	Junction box	Wall mount	Rain shade	Rain shade
	DS-2CE56C0T-VPIR	Hik white ABS Plastic Φ111×39.2mm 200g	Hik white Aluminum alloy Φ150×560mm 1900g	Hik white Aluminum alloy 120×122×169mm 420g	Hik white Aluminum alloy with junction box 123×180×227.8mm 1205g	Hik white Stainless Steel 127×46×250mm Diameter of clamp: Φ67-127mm 1205g Match up with wall mount(DS- 1272ZJ-110)	Hik white Stainless Steel 126X105X250mm 2280g Match up with wall mount(DS- 1272ZJ-110)	Hik white Aluminum alloy Φ115.4×43.8mm 450g	Hik white ABS plastic 120×111×161.5mm 200g	Hik white Composite Fibre Φ191.1×76mm 133g Match up with wall mount(DS- 1272ZJ-110)	Hik white Composite Fibre 264.7*152*189.6 mm 199g

Product form	Model	Relevant brackets and housings										
		Indoor/Outdoor										
	DS-2CE5AD0T-VPIT3F DS-2CE5AD8T-VPIT3Z											
		DS-1271ZJ-135	DS-1273ZJ-135	DS-1273ZJ-135B	DS-1275ZJ-SUS	DS-1276ZJ-SUS	DS-1227ZJ	DS-1280ZJ-DM21	DS-1281ZJ-DM23	DS-1253ZJ-L	DS-1250ZJ	DS-1258ZJ-L
		Pendant mount	Wall mount	Wall mount with junction box	Vertical pole mount	Corner mount	In-ceiling mount	Junction box	Inclined ceiling mount	Rain shade	Rain shade	Wall mount
		Hik white Aluminum alloy 150×150×565mm 1900g	Hik white Aluminum alloy 136×183.5×230mm 704g	Hik white Aluminum alloy with junction box 136×243×290mm 1490g	Hik white Stainless Steel 127×46×250mm Diameter of clamp: Ø67-127mm 1205g Match up with wall mount (DS-1273ZJ-135)	Hik white Stainless Steel 126×105×250mm 2280g Match up with wall mount (DS-1273ZJ-135)	Hik white Aluminum alloy & ABS Plastic Ø210×90mm 540g	Hik white Aluminum alloy 162×137×42mm 250g	Hik white Aluminum alloy 136.3×136.3×48mm 245g	Hik white Composite Fibre Ø225.1×98mm 198g Match up with wall mount (DS-1273ZJ-135)	Hik white Composite Fibre 264.7×152×189.6mm 199g	Hik white Plastic 136×183×213mm 260g









Product form	Model	Relevant brackets and housings						
		Indoor/Outdoor						
	DS-2CE56D8T-IRS							
		DS-1272ZJ-120	DS-1272ZJ-120B	DS-1271ZJ-120	DS-1275ZJ-SUS	DS-1276ZJ-SUS	DS-1282ZJ-DM(mini)	DS-1280ZJ-DM22
		Wall mount	Wall mount	Pendant mount	Vertical pole mount	Corner mount	Gang box	Junction box
		Hik white Aluminum alloy 120×122×173.5mm 430g	Hik white Aluminum alloy with junction box 123×180×223mm 1225g	Hik white Aluminum alloy Ø150×573mm 1900g	Hik white Stainless Steel 127×46×250mm Diameter of clamp: Ø67-127mm 1205g Match up with wall mount (DS-1272ZJ-120)	Hik white Stainless Steel 126×105×250mm 2280g Match up with wall mount (DS-1272ZJ-120)	Hik white Plastic Ø120 mm	Hik white Alminum alloy 164.8×137×53.4mm 520g









Product form	Model	Relevant brackets and housings
	DS-2CC52C7T-VPIR	Indoor/Outdoor
		
		DS-1274ZJ-DM28 Corner mount
Hik white Aluminum alloy 233×201×96mm		









Product form	Model	Relevant brackets and housings					
	DS-2CC52H1T-FITS	Indoor					
							
		DS-1294ZJ Wall mount	DS-1281ZJ-DM27 Inclined ceiling mount	DS-1297ZJ Pendant mount (extendable)	DS-1299ZJ Pendant Mount	DS-1297ZJ-ES Pendant mount (extendable)	DS-1297ZJ-M Pendant mount (extendable)
		Hik white Toughened Plastic 223.9×80×125.8mm 450g	Hik white Plastic 111.8× 40.5×108.3mm 45.8g	Hik white Aluminum alloy (Height 1000- 2000mm)	Hik white Aluminum Alloy 77×77×198mm 165g	Hikvision White Aluminum Alloy Φ 97 mm × 270 mm to 400 mm (Φ 3.82 ×10.63 to 15.75) 500 g (1.10 lb.)	Hikvision White Aluminum Alloy Φ 120 mm × 650 mm to 1200 mm (Φ 4.72 × 25.59 to 47.24) 800 g (1.76 lb.)




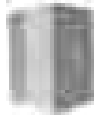






Product form	Model	Relevant brackets and housings			
	DS-2CE56C2T-IRM DS-2CE56C0T-IRM DS-2CE56D0T-IRM	Indoor/Outdoor			
					
	DS-2CE56H0T-ITPF	DS-1272ZJ-110-TRS* Wall mount	DS-1275ZJ-SUS Vertical pole mount	DS-1276ZJ-SUS Corner mount	DS-1280ZJ-XS Junction box
	DS-2CE76U1T-ITPF	Hik white Aluminum alloy 120×122×169mm 420g	Hik white Stainless Steel 127×46×250mm Diameter of clamp: Φ67-127mm 1480g Match up with wall mount(DS-1272ZJ-XX(B))	Hik white Stainless Steel 126X105X250mm 2280g Match up with wall mount(DS-1272ZJ-XX(B))	Hik white Aluminum Alloy Φ100 x 43.2 x 129mm 320g
	DS-2CE56H0T-ITMF DS-2CE56H0T-ITME DS-2CE56D8T-ITM(F)(E) DS-2CE56H5T-ITME)				
	DS-2CE76D3T-ITMF DS-2CE76H8T-ITMF DS-2CE76U1T-ITMF DS-2CE76U7T-ITMF				
	DS-2CE56C0T-IR(P)F DS-2CE56C2T-IR(P)	Hik white Aluminum alloy 120×122×169mm 420g	Hik white Stainless Steel 127×46×250mm Diameter of clamp: Φ67-127mm 1480g Match up with wall mount(DS-1272ZJ-XX(B))	Hik white Stainless Steel 126X105X250mm 2280g Match up with wall mount(DS-1272ZJ-XX(B))	Hik white Aluminum Alloy Φ100 x 43.2 x 129mm 320g
	DS-2CE56D0T-IR(P)F DS-2CE56D0T-I2(P)FD				

*The -TRS means it has adapter plate compared to DS-1272ZJ-110. Special for these mini dome cameras

Product form	Model	Relevant brackets and housings Indoor/Outdoor						
	DS-2CE56C2T-IT1/IT3 DS-2CE56C5T-IT1/IT3							
		DS-1272ZJ-110 Wall mount	DS-1275ZJ-SUS Vertical pole mount	DS-1276ZJ-SUS Corner mount	DS-1258ZJ Wall mount	DS-1280ZJ-S Junction box	DS-1281ZJ-S Inclined ceiling mount	DS-1271ZJ-110 Pendant mount
		Hik white Aluminum alloy 120×122×169mm 420g	Hik white Stainless Steel 127×46×250mm Diameter of clamp: Ø67- 127mm 1480g Match up with wall mount(DS-1272ZJ-XX(B))	Hik white Stainless Steel 126X105X250mm 2280g Match up with wall mount (DS-1272ZJ-XX(B))	Hik white ABS plastic 120×111×161.5mm 200g Suitable for indoor	Hik white Aluminum alloy 137×53.4×164.8mm 527g	Hik white Aluminum alloy 137×56.5×147mm 472g	Hik white Aluminum alloy Ø150×560mm 1900g













Product form	Model	Relevant brackets and housings Indoor/Outdoor						
	DS-2CE56C5T-VFIT3							
	DS-2CE56C2T-VFIR3	DS-1273ZJ-130-TRL Wall mount	DS-1275ZJ-SUS Vertical pole mount	DS-1276ZJ-SUS Corner mount	DS-1280ZJ-M Junction box	DS-1281ZJ-M Inclined ceiling mount	DS-1271ZJ-130-TRL Pendant mount	
		Hik white Aluminum alloy 131×183.5×228.5mm 890g	Hik white Stainless Steel 127×46×250mm Diameter of clamp: Ø67-127mm 1480g Match up with wall mount(DS- 1273ZJ-XX(B))	Hik white Stainless Steel 126X105X250mm 2280g Match up with wall mount(DS- 1273ZJ-XX(B))	Hik white Aluminum alloy 157×184.8×53.4mm 621g	Hik white Aluminum alloy 157×165.7×61.8mm 586g	Hik white Aluminum alloy Ø150×567mm	










Product form	Model	Relevant brackets and housings Indoor/Outdoor						
	DS-2CE56D8T-IT3Z(F)(E) DS-2CE56C5T-IT3Z							
	DS-2CE56H5T-IT3Z(E) DS-2CE56HOT-IT3Z(F)/(E) DS-2CE79U8T-IT3Z DS-2CE79D3T-IT3ZF DS-2CE79H8T-IT3ZF DS-2CE79U1T-IT3ZF DS-2CE79U7T-IT3ZF	DS-1273ZJ-130-TRL Wall mount	DS-1275ZJ-SUS Vertical pole mount	DS-1276ZJ-SUS Corner mount	DS-1280ZJ-TR12 Junction box	DS-1281ZJ-M Inclined ceiling mount	DS-1271ZJ-130-TRL Pendant mount	
		Hik white Aluminum alloy 131×183.5×228.5mm 890g	Hik white Stainless Steel 127×46×250mm Diameter of clamp: Ø67-127mm 1480g Match up with wall mount(DS- 1273ZJ-XX(B))	Hik white Stainless Steel 126X105X250mm 2280g Match up with wall mount(DS- 1273ZJ-XX(B))	Hikvision White Alloy 123.06 mm × 168.24 mm × 45 mm (4.84" × 6.62" × 1.77") 215 g (0.47 lb.)	Hik white Aluminum alloy 157×165.7×61.8mm 586g	Hik white Aluminum alloy Ø150×567mm	





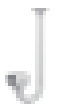

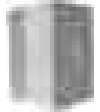


Product form	Model	Relevant brackets and housings				
		Indoor/Outdoor				
	DS-2CE78D3T-IT3F DS-2CE78H8T-IT1/3F DS-2CE78U1T-IT1/3F DS-2CE78U7T-IT1/3F					
	DS-2CE56C0T-IT1/IT3 DS-2CE56D0T-IT1/IT3 DS-2CC52D9T-IT3E DS-2CE56D8T-IT1(F)(E)/IT3(F)(E) DS-2CE56H5T-IT1/3/E DS-2CE56HOT-IT1/3(F)(E) DS-2CE56C5T-IT3	DS-1272ZJ-110-TRS Wall mount	DS-1275ZJ-SUS Vertical pole mount	DS-1276ZJ-SUS Corner mount	DS-1280ZJ-S Junction box	DS-1281ZJ-S Inclined ceiling mount
	DS-2CE71D8T-PIRL(O) DS-2CE71D0T-PIRL(P)(O) DS-2CE71HOT-PIRL(P)(O)	Hik white Aluminum alloy 110×120×120mm 420g	Hik white Stainless Steel 127×46×250mm Diameter of clamp: Ø67-127mm 1480g Match up with wall mount (DS-1272ZJ-XX(B))	Hik white Stainless Steel 126X105X250mm 2280g Match up with wall mount (DS-1272ZJ-XX(B))	Hik white Aluminum alloy 137×53.4×164.8mm 527g	Hik white Aluminum alloy 137×56.5×147mm 472g
	DS-2CE78U8T-IT3					
	DS-2CE72DFT-F					








BRACKET





IP CAMERA






Product form	Model	Relevant brackets and housings					
		Indoor		Indoor housing		Outdoor housing	
	DS-2CD4025FWD-(A)(P)/(B) DS-2CD4035F-(A)(P)/(B) DS-2CD4035FWD-(A)(P)/(B) DS-2CD4065F-(A)(P)/(B) DS-2CD4085F-(A)(P)/(B) DS-2CD40C5F-(A)(P)/(B)						
	DS-2CD4C16FWD-(A)(P) DS-2CD4C26FWD-(A)(P) DS-2CD4C36FWD-(A)(P) DS-2CD4026FWD-A/P	DS-1299ZJ Pendant Mount	DS-1292ZJ Wall mount	DS-1332HZ Indoor housing	DS-1330HZ Indoor housing	DS-1331HZ series Outdoor housing	DS-1340HZ Outdoor housing
	DS-2CD6026FHW-(A)	Hik white Aluminum Alloy 77×77×198mm 165g	Hik white Aluminum alloy 70×97.1×217.9mm 201g	Hik white Aluminum alloy 288×149×100mm 800g	Hik white Complex fiber 290×142×92mm 640g	Hik white Aluminum alloy	Three-axis adjustment Containing combined wires and fan IK10
	DS-2CD2821G0						
	DS-2CD5026G0-(AP) DS-2CD5046G0-(AP) DS-2CD5065G0-(AP) DS-2CD5085G0-(AP) DS-2CD50C5G0-(AP) DS-2CD7026G0(P)-(AP) DS-2CD7046G0-(AP) DS-2CD7085G0-(AP)						
	iDS-2CD6026FWD-AF iDS-2CD6024FWD-A/F						





Product form	Model	Relevant brackets and housings							
		Outdoor							
DarkFighterX camera	DS-2CD5028G0/E-HI								
		DS-1293ZJ-P Wall mount	DS-1269ZJ-P Pendant mount	DS-1214ZJ-TP Horizontal pole mount	DS-1233ZJ-P Column Mount	DS-1232ZJ-P Cardan Joint	DS-1232ZJ-TP Cardan Joint	DS-1275ZJ-P-SUS Vertical pole mount	DS-1275ZJ-SUS Vertical pole mount
		Platinum gray Aluminum alloy 88×116.6×297.3mm 473g	Platinum gray Aluminum alloy 493×246×88mm 480g	Platinum gray Steel(mounting board) & Stainless Steel(clamp)	Platinum gray Steel Ø160 x 1093mm 6200g	Platinum gray Steel 126×103.5×83mm 790	Platinum gray Steel 96×95×92.5mm	Platinum gray Stainless Steel 127×46×250mm Match up with wall mount[DS-1293ZJ-XX]	Hikvision White Stainless Steel 127 mm × 46 mm × 250 mm (5 × 1.81 × 9.84) 1480 g (3.26 lb.) Match up with wall mount[DS-1293ZJ-XX(B)]




Product form	Model	Relevant brackets and housings							
		Indoor/ Outdoor							
	DS-2CD502660/E-I(H)								
		DS-1293ZJ	DS-1214ZJ	DS-1275ZJ-SUS	DS-1269ZJ	DS-1233ZJ	DS-1276ZJ-SUS	DS-1674ZJ	DS-2202ZJ
		Wall mount	Horizontal pole mount	Vertical pole mount	Pendant Mount	Column Mount	Corner mount	Junction Box	Wall Mount
		Hik white Aluminum alloy 88×116.6×297.3mm 473g	Hik white Steel(mounting board) & Stainless Steel(clamp) 117×226×194mm Diameter of clamp: Ø67-127mm 1895g	Hikvision White Stainless Steel 127 mm × 46 mm × 250 mm (5 × 1.81 × 9.84) 1480 g (3.26 lb.) Match up with wall mount(DS-1293ZJ-XX(B))	Hik white Aluminum alloy 493×246×88mm 480g	Hik white Steel Ø160 x 1093mm 6200g	Hik white Stainless Steel 126×105×250mm 2280g Match up with wall mount(DS-1293ZJ-XX)	Hikvision White Aluminum Alloy 310 mm × 208.9 mm × 89 mm (12.20 × 8.22 × 3.50) 2380 g (5.25 lb.)	Hikvision White Aluminum Alloy ADC12 300.7 mm × 250.2 mm × 107.9 mm (9.85 × 9.85 × 4.25) 1250 g (2.76 lb.)



Product form	Model	Relevant brackets and housings					
		Indoor/Outdoor					
	DS-2CD6026FWD/E-(H) DS-2CD6233F/E-(H)(IR5)(IRA) DS-2CD4035FWDE-(H)(IR5)(IRA)(HIR5)(HIRA) DS-2CD4065FE-(H)(IR5)(IRA)(HIR5)(HIRA) DS-2CD4085FE-(H)(IR5)(IRA)(HIR5)(HIRA) DS-2CD4026FWD/P-L DS-2CD4026FWD/P-(IR5)(IRA)(INRA)(HIRA)(B)						
		DS-1293ZJ	DS-1214ZJ	DS-1275ZJ-SUS	DS-1269ZJ	DS-1233ZJ	DS-1276ZJ-SUS
		Wall mount	Horizontal pole mount	Vertical pole mount	Pendant Mount	Column Mount	Corner mount
		Hik white Aluminum alloy 88×116.6×297.3mm 473g	Hik white Steel(mounting board) & Stainless Steel(clamp) 117×226×194mm Diameter of clamp: Ø67-127mm 1895g	Hikvision White Stainless Steel 127 mm × 46 mm × 250 mm (5 × 1.81 × 9.84) 1480 g (3.26 lb.) Match up with wall mount(DS-1293ZJ-XX(B))	Hik white Aluminum alloy 493×246×88mm 480g	Hik white Steel Ø160 x 1093mm 6200g	Hik white Stainless Steel 126×105×250mm 2280g Match up with wall mount(DS-1293ZJ-XX)









Product form	Model	Relevant brackets and housings	
		Indoor	
	DS-2CD6412F-WD-10/11/20/21/30/31		
		DS-1290ZJ-BL Clamp bracket	DS-1291ZJ-BL Desktop/Pendant mount
	DS-2CD6424F-WD-10/20/30/40(E1/E2)	Black Plastic 90x70x22mm Only available for tube unit(-30 or -31 model)	Black Plastic 87x73x73mm Standard BOM, with this bracket in -10/30 by default






Product form	Model	Relevant brackets and housings			
		Indoor/Outdoor			Outdoor
	DS-2CD4A24FWD-IZ(H)(S) DS-2CD4A25FWD-IZ(H)(S) DS-2CD4A35F-IZ(H)(S) DS-2CD4A35FWD-IZ(H)(S) DS-2CD4A65F-IZ(H)(S) DS-2CD4A85F-IZ(H)(S) DS-2CD4AC5F-IZ(H)(S) DS-2CD4A26FWD-IZ(H)(S) DS-2CD4A26FWD-(IZ/P)(IZS*P)(IZHS*P)(LZS*P) DS-2CD4A45G0-IZ(H)(S) DS-2CD4B45G0-IZS DS-2CD4B25G0-IZS DS-2CD4B36FWD-(I)ZS DS-2CD4B26FWD-IZS DS-2CD4B16FWD-IZS				
		DS-1275ZJ-SUS	DS-1276ZJ-SUS	DS-1275ZJ-S-SUS	Rubber sleeve with weather proof
		Vertical pole mount	Corner mount	Vertical pole mount	
		Hikvision White Stainless Steel 127 mm × 46 mm × 250 mm (5 × 1.81 × 9.84) 1480 g (3.26 lb.)	Hik white Stainless Steel 126×105×250mm 2280g	Hik white Stainless Steel 144 mm × 131.6 mm × 44.3 mm (5.67 × 5.18 × 1.74) 760 g (1.68 lb.)	Hik white Rubber



Product form	Model	Relevant brackets and housings		
	DS-2CD4A26FWD-IZHSY DS-2CD4A35FWD-IZHSY	Outdoor		
				
		DS-1275ZJ-SUS Vertical pole mount	DS-1276ZJ-SUS Corner mount	DS-1275ZJ-S-SUS Vertical pole mount
		Hikvision White Stainless Steel 127 mm × 46 mm × 250 mm (5 × 1.81 × 9.84) 1480 g (3.26 lb.)	Hik white Stainless Steel 126X105X250mm 2280g	Hik white Stainless Steel 144 mm × 131.6 mm × 44.3 mm (5.67 × 5.18 × 1.74) 760 g (1.68 lb.)




Product form	Model	Relevant brackets and housings	
	DS-2CD2085FWD-I DS-2CD2055FWD-I DS-2CD2045FWD-I DS-2CD2025FWD-I DS-2CD204360-I DS-2CD202360-I	Indoor/Outdoor	
			
		DS-1280ZJ-XS(Black) Junction box	
		Hik Black Aluminum Alloy Φ100 x 43.2 x 129mm 320g	










Product form	Model	Relevant brackets and housings
	DS-2CD2085FWD-I DS-2CD2055FWD-I DS-2CD2045FWD-I DS-2CD2035FWD-I DS-2CD2025F(H)WD-I DS-2CD208360-I DS-2CD206360-I DS-2CD204360-I DS-2CD202360-I DS-2CD306360-I DS-2CD304360-I DS-2CD302360-I DS-2CD308560-I DS-2CD304560-I DS-2CD302560-I	
	DS-2CD206561-I DS-2CD208561-I DS-2CD2021G1-I(D)(W) DS-2CD2021G1-I(D)(W)(B)	DS-1280ZJ-XS Junction box
	DS-2CD1001-I DS-2CD1021-I(D) DS-2CD1031-I(D) DS-2CD101360-I DS-2CD102360-I DS-2CD104360-I DS-2CD105360-I	Hik white Aluminum Alloy Φ100 x 43.2 x 129mm 320g
	DS-2CV1021G0-IDW1	
	DS-2CD2051G1-IDW1 DS-2CD2041G1-IDW1 DS-2CD2021G1-IDW1	





Product form	Model	Relevant brackets and housings				
	DS-2CD1621G0-I(Z) DS-2CD1631G0-I(Z) DS-2CD1623G0-I(Z) DS-2CD1643G0-I(Z)	Indoor/Outdoor				
						
		DS-1260ZJ Junction box	DS-1280ZJ-S Junction box	DS-1275ZJ-SUS Vertical pole mount	DS-1276ZJ-SUS Corner mount	DS-1275ZJ-S-SUS Vertical pole mount
	DS-2CD2622FWD-I(Z)(S) DS-2CD2642FWD-I(Z)(S)	Hik white Aluminum alloy Φ105 mm	Hik white Aluminum alloy Φ137 x 53.4x 164.8mm 527g	Hikvision White Stainless Steel 127 mm × 46 mm × 250 mm (5" × 1.81" × 9.84") 1480 g (3.26 lb.)	Hik white Stainless Steel 126×105×250mm 2280g	Hik white Stainless Steel 144 mm × 131.6 mm × 44.3 mm (5.67" × 5.18" × 1.74") 760 g (1.68 lb.) Match up with DS- 1260ZJ
	DS-2CD2621G0-I(Z)(S)					



Product form	Model	Relevant brackets and housings		
	DS-2CD2685G0-IZS DS-2CD2665G0-IZS DS-2CD2685FWD-IZS DS-2CD2655FWD-IZS(B) DS-2CD2645FWD-IZS DS-2CD2635FWD-IZS DS-2CD2625FWD-IZS DS-2CD2625FHW-IZS DS-2CD268360-IZS DS-2CD266360-IZS DS-2CD264360-IZS DS-2CD262360-IZS DS-2CD366360-IZS DS-2CD364360-IZS DS-2CD362360-IZS DS-2CD364560-IZS DS-2CD362560-IZS	Indoor/Outdoor		
				
		DS-1475ZJ-SUS Vertical pole mount	DS-1476ZJ-SUS Corner mount	DS-1275ZJ-S-SUS Vertical pole mount
	DS-2CD5A26G0-IZ(H)S DS-2CD5A46G0-IZ(H)S DS-2CD5A85G0-IZ(H)S DS-2CD5AC5G0-IZ(H)S DS-2CD7A26G0(I/P)-IZ(H)S DS-2CD7A46G0(I/P)-IZ(H)S DS-2CD7A85G0-IZ(H)S	Hik white Stainless Steel 250 mm × 127 mm × 46 mm Diameter of clamp: Φ67-127mm 1205g	Hik white Stainless Steel 126×105×250mm 2280g	Hik white Stainless Steel 144 mm × 131.6 mm × 44.3 mm (5.67" × 5.18" × 1.74") 760 g (1.68 lb.)





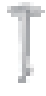







Product form	Model	Relevant brackets and housings	
		Indoor/Outdoor	
	DS-2CD2685FWD-IZS DS-2CD2635FWD-IZS DS-2CD2625FWD-IZS		Other brackets are the same as Hik white camera
		DS-1475ZJ-SUS(Black) Vertical pole mount	
		Hik Black Stainless Steel 250 mm × 127 mm × 46 mm Diameter of clamp: Ø67-127mm 1205g	




Product form	Model	Relevant brackets and housings	
		Indoor/Outdoor	
	DS-2CD5A2660-IZHSY DS-2CD5A4660-IZHSY		
		DS-1475ZJ-Y Vertical pole mount	DS-1476ZJ-Y Corner mount
		Hik white Stainless Steel 250 mm × 127 mm × 46 mm Diameter of clamp: Ø67-127mm 1205g	Hik white Stainless Steel 126X105X250mm 2280gww







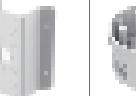


Product form	Model	Relevant brackets and housings				
		Indoor/Outdoor				
	DS-2CD2T42WD-13/15/18 DS-2CD2T22WD-13/15/18 DS-2CD2T85FWD-15/18 DS-2CD2T55FWD-15/18 DS-2CD2T45FWD-15/18 DS-2CD2T35FWD-15/18 DS-2CD2T25FWD-15/18 DS-2CD2T25FHW-15/18 DS-2CD2T8360-15/18 DS-2CD2T6360-15/18 DS-2CD2T4360-15/18 DS-2CD2T2360-15/18 DS-2CD3T6360-15/18 DS-2CD3T4360-15/18 DS-2CD3T2360-15/18 DS-2CD3T4560-I DS-2CD3T2560-I					
	DS-2CD2T8561-15/18 DS-2CD2T6561-15/18 DS-2CD2T2661-2I/4I DS-2CD2T4661-2I/4I	DS-1275ZJ-SUS Vertical pole mount	DS-1260ZJ Junction box	DS-1276ZJ-SUS Corner mount	DS-1280ZJ-S Junction box	DS-1275ZJ-S-SUS Vertical pole mount
	DS-2CD268561-IZ(S) DS-2CD266561-IZ(S) DS-2CD264561-IZ(S) DS-2CD262561-IZ(S) DS-2CD264661-IZ(S) DS-2CD262661-IZ(S)	Hikvision White Stainless Steel 127 mm × 46 mm × 250 mm (5" × 1.81" × 9.84") 1480 g (3.26 lb.)	Hik white Aluminum alloy Ø105 mm included in the package with 3TXX series	Hik white Stainless Steel 126×105×250mm 2280g	Hik white Aluminum alloy Ø137 × 53.4x 164.8mm 527g	Hik white Stainless Steel 144 mm × 131.6 mm × 44.3 mm (5.67" × 5.18" × 1.74") 760 g (1.68 lb.) Match up with DS-1260ZJ
	DS-2CD268361-IZ(S) DS-2CD266361-IZ(S) DS-2CD264361-IZ(S) DS-2CD262361-IZ(S)					

Product form	Model	Relevant brackets and housings		
	DS-2CD2T85FWD-18 DS-2CD2T55FWD-18 DS-2CD2T35FWD-18 DS-2CD2T25FWD-18	Indoor/Outdoor		
				
		DS-1275ZJ-SUS(Black) Vertical pole mount	DS-1260ZJ(Black) Junction box	DS-1276ZJ-SUS(Black) Corner mount
		Hik Black Stainless Steel 127×46×250mm Diameter of clamp: Ø67-127mm 1480g	Hik Black Aluminum alloy Ø105 mm	Hik Black Stainless Steel 126×105×250mm 2280g

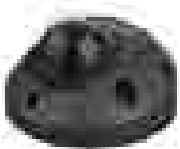





Product form	Model	Relevant brackets and housings	
	DS-2CD2042WD-1 DS-2CD2022WD-1	Indoor/ Outdoor	
			
		DS-1280ZJ-S Junction box	
		Hik white Aluminum alloy Ø137 x 53.4x 164.8mm 527g	




Product form	Model	Relevant brackets and housings										
	DS-2CD2T2160-IIS	Indoor/Outdoor										
												
		DS-1296ZJ Wall mount	DS-1292ZJ Wall mount	DS-1203ZJ Pendant Mount	DS-1297ZJ Pendant Mount	DS-1214ZJ-T Horizontal pole mount	DS-1275ZJ-SUS Vertical pole mount	DS-1276ZJ-SUS Corner mount	DS-1232ZJ Cardan Joint	DS-1232ZJ-T Cardan Joint	DS-1297ZJ-ES Pendant mount (extendable)	DS-1297ZJ-M Pendant mount (extendable)
		Hik white Plastic 70x79.1x196.5mm Included in the package	Hik white Aluminum alloy 70x97.1x217.9mm 201g	Hik white 70.4x84 x200.5mm 220g	Hik white Aluminum Alloy Ø120x2000mm 1035g	Hik white Steel(mounting board) & Stainless Steel(clamp) 194 mm × 117 mm × 138.5 mm (7.64" × 4.61" × 5.45") 1900 g (4.19 lb.)	Hikvision White Stainless Steel 127 mm × 46 mm × 250 mm (5" × 1.81" × 9.84") 1480 g (3.26 lb.) Match up with wall mount{DS-1292ZJ-XX(B)}	Hik white Stainless Steel 126x105x250mm 2280g Match up with wall mount{DS-1292ZJ-XX(B)}	Hik white Steel 126x103.5x83mm 790	Hik white Steel 96x95x92.5mm	Hikvision White Aluminum Alloy Ø 97 mm × 270 mm to 400 mm (Ø 3.82" × 10.63" to 15.75") 500 g (1.10 lb.)	Hikvision White Aluminum Alloy Ø 120 mm × 650 mm to 1200 mm (Ø 4.72" × 25.59" to 47.24") 800 g (1.76 lb.)






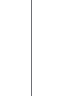





Product form	Model	Relevant brackets and housings
	DS-2CD4625FWD-IZ(H)(S) DS-2CD4635FWD-IZ(H)(S) DS-2CD4665F-IZ(H)(S) DS-2CD4685F-IZ(H)(S) DS-2CD4626FWD-IZ(H)(S)	
	iDS-2CD8626G0/P-IZS(Y)	DS-1275ZJ-4626 Vertical Pole Mount Hik white Steel(mounting board) & Stainless Steel(clamp) 127×46×250mm 1235g








Product form	Model	Relevant brackets and housings						
	DS-2CD712660-IZS DS-2CD712660/L-IZS DS-2CD714660-IZS DS-2CD718560-IZS DS-2CD512660-IZS DS-2CD514660-IZS DS-2CD518560-IZS DS-2CD51C560-IZS	Indoor						
								
	DS-2CD4125FWD-IZ DS-2CD4126FWD-IZ DS-2CD4135FWD-IZ DS-2CD4165F-IZ DS-2CD4185F-IZ DS-2CD41C5F-IZ	DS-1271ZJ-130 Pendant Mount	DS-1273ZJ-130 Wall mount	DS-1273ZJ-130B Wall mount	DS-1227ZJ In-ceiling mount	DS-1275ZJ-SUS Vertical pole mount	DS-1276ZJ-SUS Corner mount	DS-1281ZJ-DM23 Inclined ceiling mount
		Hik white Aluminum alloy Ø150×565mm 1900g	Hik white Aluminum alloy 132×183.5 ×228.5mm 690g	Hik white Aluminum alloy with junction box 132×243 ×288.5mm 1475g	Hik white Aluminum alloy & ABS Plastic Ø210×90mm 540g	Hik white Stainless Steel 127×46×250mm Diameter of clamp: Ø67-127mm 1205g Match up with wall mount{DS-1273ZJ-130}	Hik white Stainless Steel 126X105X250mm 2280g Match up with wall mount{DS-1273ZJ-130}	Hik white Aluminum alloy Ø136×48mm 245g













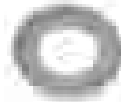

Product form	Model	Relevant brackets and housings						
		Indoor/Outdoor						
	DS-2CD2522FWD-I(W)(S) DS-2CD2542FWD-I(W)(S) DS-2XM6112FWD-I(M)							
		DS-1272ZJ-120 Wall mount	DS-1272ZJ-120B Wall mount	DS-1271ZJ-120 Pendant mount	DS-1276ZJ-SUS Corner mount	DS-1282ZJ-DM(mini) Gang box	DS-1280ZJ-DM46 Junction box	DS-1275ZJ-SUS Vertical pole mount
	DS-2CD2555FWD-I(W)(S) DS-2CD2545FWD-I(W)(S) DS-2CD2535FWD-I(W)(S) DS-2CD2525FWD-I(W)(S) DS-2CD2525FHWD-I(W)(S) DS-2CD256360--I(W)(S) DS-2CD254360--I(W)(S) DS-2CD252360--I(W)(S) DS-2CD356360-IS DS-2CD354360-IS DS-2CD352360-IS DS-2CD356560-IS DS-2CD354560-IS DS-2CD352560-IS DS-2XM6726FWD-I(S)(M) DS-2XM6726FWD-IM/ND DS-2XM6736FWD-I(S)(M) DS-2XM6736FWD-IM/ND DS-2XM6756FWD-I(S)(M) DS-2XM6756FWD-IM/ND	Hik white Aluminum alloy 120×122×173.5mm 430g	Hik white Aluminum alloy with junction box 123×180×223mm 1225g	Hik white Aluminum alloy Φ150×573mm 1900g	Hik white Stainless Steel 126X105X250mm 2280g Match up with wall mount(DS-1272ZJ-XX(B))	Hik white Plastic Φ120 mm (comes with camera)	Hik white Aluminum alloy Ø 120 mm × 37.2 mm (Ø 4.72" × 1.46") 250g	Hikvision White Stainless Steel 127 mm × 46 mm × 250 mm (5" × 1.81" × 9.84") 1480 g (3.26 lb.) Match up with wall mount(DS-1272ZJ-XX(B))



Product form	Model	Relevant brackets and housings					
		Indoor/Outdoor					
	DS-2CD2545FWD-I(S) DS-2CD2525FWD-I(S) DS-2CD256360--I(S) DS-2CD254360--I(S) DS-2CD252360--I(S)						Other brackets are the same as Hik white camera
		DS-1272ZJ-120(Black) Wall mount	DS-1271ZJ-120(Black) Pendant mount	DS-1276ZJ-SUS(Black) Corner mount	DS-1280ZJ-DM46(Black) Junction box	DS-1275ZJ-SUS(Black) Vertical pole mount	
		Hik Black Aluminum alloy 120×122×173.5mm 430g	Hik Black Aluminum alloy Φ150×573mm 1900g	Hik Black Stainless Steel 126X105X250mm 2280g Match up with wall mount(DS- 1272ZJ-XX(B))	Hik Black Aluminum alloy Ø 120 mm × 37.2 mm (Ø 4.72" × 1.46") 250g	Hik Black Stainless Steel 127 mm × 46 mm × 250 mm (5" × 1.81" × 9.84") 1480 g (3.26 lb.) Match up with wall mount(DS- 1272ZJ-XX(B))	


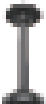



Product form	Model	Relevant brackets and housings Indoor/Outdoor(suitable for indoor)									
	DS-2CD1101-I DS-2CD1121-I(D) DS-2CD1131-I(D) DS-2CD111360-I DS-2CD112360-I DS-2CD114360-I										
	DS-2CD2122FWD-I(W)(S) DS-2CD2142FWD-I(W)(S)	Inclined ceiling mount	Pendant mount	Wall mount	Wall mount	Corner mount	Junction box	Wall mount	Vertical pole mount	Rain shade	Rain shade
	DS-2CD216560-I(S) DS-2CD2185FWD-I(S) DS-2CD2155FWD-I(S) DS-2CD2145FWD-I(S) DS-2CD2135FWD-I(S) DS-2CD2125FWD-I(S) DS-2CD2125FHWI-I(S) DS-2CD208360-I(S) DS-2CD206360-I(S) DS-2CD204360-I(S) DS-2CD202360-I(S) DS-2CD316360-I(S) DS-2CD314360-I(S) DS-2CD312360-I(S) DS-2CD318560-I DS-2CD314560-I DS-2CD312560-I	Hik white ABS Plastic Φ111×39.2mm 200g	Hik white Aluminum alloy Φ150×560mm 1900g	Hik white Aluminum alloy 120×122×169mm 420g	Hik white Aluminum alloy with junction box 123×180×227.8mm 1205g	Hik white Stainless Steel 126X105X250mm 2280g Match up with wall mount(DS-1272ZJ- XX(B))	Hik white Aluminum alloy Φ115.4×43.8mm 450g	Hik white ABS plastic 120×111×161.5mm 200g	Hikvision White Stainless Steel 127 mm × 46 mm × 250 mm (5" × 1.81" × 9.84") 1480 g (3.26 lb.) Match up with wall mount(DS-1272ZJ- XX(B))	Hik white Composite Fibre Φ191.1×76mm 133g Match up with wall mount(DS- 1272ZJ-110)	Hik white Composite Fibre 264.7*152*189.6 mm 199g









Product form	Model	Relevant brackets and housings Indoor/Outdoor(suitable for indoor)									
	DS-2CD2185FWD-I DS-2CD2155FWD-I DS-2CD2145FWD-I(S) DS-2CD2125FWD-I DS-2CD218360-I(S) DS-2CD216360-I(S) DS-2CD214360-I(S) DS-2CD212360-I(S)										
		DS-1259ZJ(Black)	DS-1271ZJ-110(Black)	DS-1272ZJ-110(Black)	DS-1272ZJ-110B(Black)	DS-1276ZJ-SUS(Black)	DS-1280ZJ-DM18(Black)	DS-1258ZJ(Black)	DS-1250ZJ(Black)	DS-1275ZJ-SUS(Black)	DS-1275ZJ-SUS(Black)
		Inclined ceiling mount	Pendant mount	Wall mount	Wall mount	Corner mount	Junction box	Wall mount	Rain shade	Vertical pole mount	Vertical pole mount
		Hik Black ABS Plastic Φ111×39.2mm 200g	Hik Black Aluminum alloy Φ150×560mm 1900g	Hik Black Aluminum alloy 120×122×169mm 420g	Hik Black Aluminum alloy with junction box 123×180×227.8mm 1205g	Hik Black Stainless Steel 126X105X250mm 2280g Match up with wall mount(DS-1272ZJ- XX(B))	Hik Black Aluminum alloy Φ115.4×43.8mm 450g	Hik Black ABS plastic 120×111×161.5mm 200g	Hik Black Composite Fibre 264.7*152*189.6 mm 199g	Hik Black Stainless Steel 127×46×250mm Diameter of clamp: Φ67-127mm 1480g Match up with wall mount(DS-1272ZJ- XX(B))	Hik Black Stainless Steel 127×46×250mm Diameter of clamp: Φ67-127mm 1480g Match up with wall mount(DS-1272ZJ- XX(B))






Product form	Model	Relevant brackets and housings					
		Indoor/Outdoor					
	DS-2CD2146G1-(I)S DS-2CD2126G1-(I)S						
		DS-1272ZJ-120	DS-1272ZJ-120B	DS-1271ZJ-120	DS-1276ZJ-SUS	DS-1275ZJ-SUS	DS-1253ZJ-M
		Wall mount	Wall mount	Pendant mount	Corner mount	Vertical pole mount	Rain Shade for Outdoor Dome Camera
		Hik white Aluminum alloy 120×122×173.5mm 430g	Hik white Aluminum alloy with junction box 123×180×223mm 1225g	Hik white Aluminum alloy Ø150×573mm 1900g	Hik white Stainless Steel 126X105X250mm 2280g Match up with wall mount(DS-1272ZJ-XX(B))	Hikvision White Stainless Steel 127 mm × 46 mm × 250 mm (5" × 1.81" × 9.84") 1480 g (3.26 lb.) Match up with wall mount(DS-1272ZJ-XX(B))	Hikvision White PP+30%GF Ø191.1×76mm 133g





Product form	Model	Relevant brackets and housings											
		Indoor/Outdoor											
	DS-2CD1721F-WD-(I)Z(B) DS-2CD1731F-WD-(I)Z(B) DS-2CD172360-(I)Z DS-2CD174360-(I)Z												
		DS-1271ZJ-135	DS-1273ZJ-135	DS-1273ZJ-135B	DS-1275ZJ-SUS	DS-1276ZJ-SUS	DS-1227ZJ	DS-1280ZJ-DM21	DS-1281ZJ-DM23	DS-1253ZJ-L	DS-1250ZJ	DS-1258ZJ-L	D20-AP
		Pendant mount	Wall mount	Wall mount with junction box	Vertical pole mount	Corner mount	In-ceiling mount	Junction box	Inclined ceiling mount	Rain shade	Rain shade	Wall mount	Adapter Plate
	DS-2CD2722F-WD-(I)Z(S) DS-2CD2742F-WD-(I)Z(S)	Hik white Aluminum alloy 150×150×565mm 1900g	Hik white Aluminum alloy 136×183.5×230mm 704g	Hik white Aluminum alloy with junction box 136×243×290mm 1490g	Hik white Stainless Steel 127×46×250mm Diameter of clamp: Ø67-127mm 1205g Match up with wall mount(DS-1273ZJ-135)	Hik white Stainless Steel 126x105x250mm 2280g Match up with wall mount(DS-1273ZJ-135)	Hik white Aluminum alloy & ABS Plastic Ø210×90mm 540g	Hik white Aluminum alloy 162×137×42mm 250g	Hik white Aluminum alloy 136.3×136.3×48mm 245g	Hik white Composite Fibre Ø225.1×98mm 198g Match up with wall mount(DS-1273ZJ-135)	Hik white Composite Fibre 264.7x152x189.6mm 199g	Hik white Plastic 136×183×213mm 260g	Hik white Match up with DS-1227ZJ for 17XX models






Product form	Model	Relevant brackets and housings					
		Indoor/Outdoor					
	DS-2CD2785G0-IZ DS-2CD2765G0-IZ DS-2CD2785FWD-IZS DS-2CD2755FWD-IZS(B) DS-2CD2745FWD-IZS DS-2CD2735FWD-IZS DS-2CD2725FWD-IZS DS-2CD2725FHW-IZS DS-2CD2783G0-IZS DS-2CD2763G0-IZS DS-2CD2743G0-IZS DS-2CD2723G0-IZS DS-2CD3763G0-IZS DS-2CD3743G0-IZS DS-2CD3723G0-IZS DS-2CD3745G0-IZS						
		DS-1471ZJ-155	DS-1473ZJ-155	DS-1475ZJ-SUS	DS-1476ZJ-SUS	DS-1227ZJ-DM37	DS-1473ZJ-155B
		Pendant Mount	Wall Mount	Vertical pole mount	Corner mount	In-Ceiling Mount	Wall Mount
		Hik white Aluminum alloy Ø155×150×565mm	Hik white Aluminum alloy 155×183.5×240mm	Hik white Stainless Steel 250 mm × 127 mm × 46 mm Diameter of clamp: Ø67-127mm 1205g Match up with wall mount(DS-1473Z-XX(B))	Hik white Stainless Steel 126X105X250mm 2280g Match up with wall mount(DS-1473ZJ-XX(B))	Hik white Steel and Plastic Ø 225 mm × 98.2 mm (8.86" × 3.87") 700 g (1.54 lb.)	Hik white Aluminum alloy 243×123×300mm 1750 g (3.86 lb.)










Product form	Model	Relevant brackets and housings					
		Indoor/Outdoor					
	DS-2CD2785FWD-IZS DS-2CD2735FWD-IZS DS-2CD2725FWD-IZS					Other brackets are the same as Hik white camera	
		DS-1471ZJ-155(Black) Pendant Mount	DS-1473ZJ-155(Black) Wall Mount	DS-1475ZJ-SUS(Black) Vertical pole mount	DS-1473ZJ-155B(Black) Wall Mount		
		Hik Black Aluminum alloy Ø155×150×565mm	Hik Black Aluminum alloy 155×183.5×240mm	Hik white Stainless Steel 250 mm × 127 mm × 46 mm Diameter of clamp: Ø67-127mm 1205g Match up with wall mount(DS-1473Z-XX(B))	Hik Black Aluminum alloy 243×123×300mm 1750 g (3.86 lb.)		







Product form	Model	Relevant brackets and housings					
		Indoor/Outdoor					
	DS-2CD2721G0-IZ(S)						
	DS-2CD2785G1-IZS DS-2CD2765G1-IZS DS-2CD2745G1-IZS DS-2CD2725G1-IZS DS-2CD2783G1-IZS DS-2CD2763G1-IZS DS-2CD2743G1-IZS DS-2CD2723G1-IZS DS-2CD2746G1-IZS DS-2CD2726G1-IZS	DS-1471ZJ-155 Pendant Mount	DS-1473ZJ-155 Wall Mount	DS-1475ZJ-SUS Vertical pole mount	DS-1476ZJ-SUS Corner mount	DS-1280ZJ-DM55 Junction Box	DS-1473ZJ-155B Wall Mount
		Hik white Aluminum alloy Ø155×150×565mm	Hik white Aluminum alloy 155×183.5×240mm	Hik white Stainless Steel 250 mm × 127 mm × 46 mm Diameter of clamp: Ø67-127mm 1205g Match up with wall mount(DS-1473Z-XX(B))	Hik white Stainless Steel 126X105X250mm 2280g Match up with wall mount(DS-1473ZJ-XX(B))	Hikvision White Aluminum Alloy Ø 155 mm × 36 mm (Ø 6.1" × 1.42") 300 g (0.66 lb.)	Hik white Aluminum alloy 243×123×300mm 1750 g (3.86 lb.)









Product form	Model	Relevant brackets and housings				
		Indoor/Outdoor				
	DS-2CD2783G1-IZS DS-2CD2763G1-IZS DS-2CD2743G1-IZS DS-2CD2723G1-IZS					Other brackets are the same as Hik white camera
		DS-1273ZJ-155(Black) Wall Mount	DS-1275ZJ-SUS(Black) Vertical pole mount	DS-1276ZJ-SUS(Black) Corner mount	DS-1280ZJ-DM55(Black) Junction Box	
		Hik Black Aluminum alloy 155×183.5×240mm	Hik Black Stainless Steel 250 mm × 127 mm × 46 mm Diameter of clamp: Ø67-127mm 1480g Match up with wall mount(DS-1273ZJ-XX(B))	Hik Black Stainless Steel 126X105X250mm 2280g Match up with wall mount(DS-1273ZJ-XX(B))	Hik Black Aluminum Alloy Ø 155 mm × 36 mm (Ø 6.1" × 1.42") 300 g (0.66 lb.)	





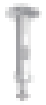


Product form	Model	Relevant brackets and housings		
		Indoor/Outdoor		
	DS-2CD4526FWD-IZHY DS-2CD4535FWD-IZHY			
		DS-1273ZJ-DM26-Y	DS-1275ZJ-SUS	DS-1276ZJ-SUS
		Wall mount	Vertical pole mount	Corner mount
		Hik white Stainless Steel 255×225.7×185mm	Hik white Stainless Steel 127×46×250mm Diameter of clamp: Φ67-127mm 1205g Match up with wall mount()	Hik white Stainless Steel 126X105X250mm 2280g Match up with wall mount()









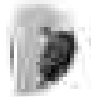

Product form	Model	Relevant brackets and housings			
		Indoor/Outdoor			
	DS-2CD5526G0-IZ(H)SY DS-2CD5546G0-IZ(H)SY				
		DS-1471ZJ-155-Y	DS-1473ZJ-155-Y	DS-1475ZJ-Y	DS-1476ZJ-Y
		Pendant Mount	Wall Mount	Vertical pole mount	Corner mount
		Hik white Aluminum alloy Φ155×150×565mm	Hik white Aluminum alloy 155×183.5×240mm	Hik white Stainless Steel 250 mm × 127 mm × 46 mm Diameter of clamp: Φ67-127mm 1205g Match up with wall mount(DS-1473ZJ- 155-Y)	Hik white Stainless Steel 126X105X250mm 2280g Match up with wall mount(DS-1473ZJ- 155-Y)










Product form	Model	Relevant brackets and housings							
		Indoor/Outdoor							
	DS-2CD4525FWD-IZ(H) DS-2CD4526FWD-IZ(M)(H) DS-2CD4535FWD-IZ(H) DS-2CD4565F-IZ(H) DS-2CD4585F-IZ(H) DS-2CD45C5F-IZ(H)								
		DS-1273ZJ-DM26	DS-1273ZJ-DM26-B	DS-1271ZJ-DM26	GP-FE1	DS-1250ZJ	DS-1275ZJ-SUS	DS-1276ZJ-SUS	DS-1227ZJ-DM26
		Wall mount	Wall mount with junction box	Pendant mount	Gang box for junction box (special for US market)	Rain shade	Vertical pole mount	Corner mount	In-ceiling Mount
		Hik white Aluminum alloy 255×225.7×185mm 1550g	Hik white Aluminum alloy 314.5×260×184.9mm 2050g	Hik white Aluminum alloy 676×185×185mm 2150g	Hik white Steel Φ195mm	Hik white Composite Fibre 264.7*152*189.6 mm 199g	Hikvision White Stainless Steel 127 mm × 46 mm × 250 mm (5" × 1.81" × 9.84") 1480 g (3.26 lb.) Match up with wall mount(DS-1273ZJ-XX(B))	Hik white Stainless Steel 126X105X250mm 2280g Match up with wall mount(DS-1273ZJ-XX(B))	Hik white Aluminum alloy Φ225×98mm







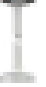


Product form	Model	Relevant brackets and housings				
		Indoor/Outdoor				
	DS-2CD4016FWD-IZ(S) DS-2CD4026FWD-IZ(S) DS-2CD4036FWD-IZ(S)					
		DS-1273ZJ-DM32	DS-1271ZJ-DM32	DS-1275ZJ-SUS	DS-1276ZJ-SUS	DS-1227ZJ-DM32
		Wall mount	Pendant mount	Vertical pole mount	Corner mount	In-ceiling Mount
		Hikvision white Aluminum alloy 183.5×142×232mm	Hikvision white Aluminum alloy Φ150×565mm	Hikvision White Stainless Steel 127 mm × 46 mm × 250 mm (5" × 1.81" × 9.84") 1480 g (3.26 lb.) Match up with wall mount(DS-1273ZJ- XX(B))	Hik white Stainless Steel 126X105X250mm 2280g Match up with wall mount(DS-1273ZJ- XX(B))	Hik white Aluminum alloy Φ225×98mm






Product form	Model	Relevant brackets and housings						
		Indoor/Outdoor						
	DS-2CD552660-IZ(H)S DS-2CD554660-IZ(H)S DS-2CD558560-IZ(H)S DS-2CD55C560-IZ(H)S DS-2CD752660-IZ(H)S DS-2CD754660-IZ(H)S DS-2CD758560-IZ(H)S							
		DS-1471ZJ-155	DS-1473ZJ-155	DS-1475ZJ-SUS	DS-1476ZJ-SUS	DS-1473ZJ-155B	DS-1253ZJ-L	DS-1250ZJ
		Pendant Mount	Wall Mount	Vertical pole mount	Corner mount	Wall Mount	Rain shade	Rain shade
		Hik white Aluminum alloy Φ155×150×565mm	Hik white Aluminum alloy 155×183.5×240mm	Hik white Stainless Steel 250 mm × 127 mm × 46 mm Diameter of clamp: Φ67- 127mm 1205g Match up with wall mount(DS-1473ZJ-XX(B))	Hik white Stainless Steel 126X105X250mm 2280g Match up with wall mount(DS-1473ZJ-XX(B))	Hik white Aluminum alloy 243×123×300mm 1750 g (3.86 lb.)	Hik white Composite Fibre Φ225.1×98mm 198g Match up with wall mount(DS-1473ZJ-155)	Hik white Composite Fibre 264.7*152*189.6 mm 199g

Product form	Model	Relevant brackets and housings					
		Indoor					
	DS-2CD29XXF-I(S) DS-2CD2935FWD-I(S) DS-2CD2955FWD-IS						
		DS-1294ZJ	DS-1281ZJ-DM27	DS-1297ZJ	DS-1299ZJ	DS-1297ZJ-ES	DS-1297ZJ-M
		Wall mount	Inclined ceiling mount	Pendant mount (extendable)	Pendant Mount	Pendant mount (extendable)	Pendant mount (extendable)
		"Hik white Toughened Plastic 223.9×80×125.8mm 450g"	"Hik white Plastic 111.8×40.5×108.3mm 45.8g "	"Hik white Aluminum alloy (Hight 1000-2000mm)"	"Hik white Aluminum Alloy 77×77×198mm 165g "	"Hikvision White Aluminum Alloy Φ 97 mm × 270 mm to 400 mm (Φ 3.82" ×10.63" to 15.75") 500 g (1.10 lb.)"	"Hikvision White Aluminum Alloy Φ 120 mm × 650 mm to 1200 mm (Φ 4.72" × 25.59" to 47.24") 800 g (1.76 lb.)"








Product form	Model	Relevant brackets and housings								
		Indoor/Outdoor								
	DS-2CD6362F-IV(S) DS-2CD6332F- WD-IV(S) DS-2CD63C2F-IV(S)									
		DS-1271ZJ-DM25	DS-1273ZJ-DM25	DS-1280ZJ-DM25	DS-1281ZJ-DM25	DS-1283ZJ	DS-1275ZJ-SUS	DS-1276ZJ-SUS	DS-1274ZJ-DM25	DS-1281ZJ-DM25-B
		Pendant mount	Wall mount	Junction box	Inclined ceiling mount	Three axis adjustment	Vertical pole mount	Corner mount	Corner mount	Corner mount
		Hik white Aluminum alloy Φ149.5×555mm 1930g	Hik white Aluminum alloy 183.5×164×231.7mm 900g	Hik white Aluminum alloy 178.5×164×41mm 340g	Hik white Aluminum alloy 157.1×164×45.5mm 300g	Hik white Aluminum alloy 167.5×167.5×48.7mm	Hikvision White Stainless Steel 127 mm × 46 mm × 250 mm (5" × 1.81" × 9.84") 1480 g (3.26 lb.) Match up with wall mount(DS-1283ZJ,DS- 1273ZJ-XX(B))	Hik white Stainless Steel 126X105X250mm 2280g Match up with wall mount(DS-1283ZJ,DS- 1273ZJ-XX(B))	Hik white Aluminum alloy 209×195×114mm	Hik white Aluminum alloy 161×156×165.5mm




Product form	Model	Relevant brackets and housings							
		Indoor/Outdoor							
	DS-2CD6362F-I(S)(V) DS-2CD6332FWD-I(S)(V)								
		DS-1271ZJ-DM25(M1)	DS-1273ZJ-DM25(M1)	DS-1280ZJ-DM25(M1)	DS-1281ZJ-DM25(M1)	DS-1283ZJ-DM25(M1)	GP-FE1	DS-1276ZJ-SUS	DS-1275ZJ-SUS
		Pendant mount	Wall mount	Junction box	Inclined ceiling mount	Three axis adjustment	Gang box for junction box (special for US market)	Corner mount	Vertical pole mount
		Hik white Aluminum alloy 585×178.7×178.7mm 1730g	Hik white Aluminum alloy 251.9×178.7×183.5mm 1105g	Hik white Aluminum alloy 167.5×167.5×42mm 362g	Hik white Aluminum alloy 167.5×174.6×46.6mm 326g	Hik white Aluminum alloy 167.5×167.5×48.7mm	Hik white Steel Ø195mm	Hik white Stainless Steel 126X105X250mm 2280g Match up with wall mount(DS-1283ZJ-XX- (B),DS-1273ZJ-XX(B))	Hikvision White Stainless Steel 127 mm × 46 mm × 250 mm (5" × 1.81" × 9.84") 1480 g (3.26 lb.) Match up with wall mount(DS-1283ZJ-XX- (B),DS-1273ZJ-XX(B))






Product form	Model	Relevant brackets and housings						
		Indoor/Outdoor						
	DS-2CD2342WD-I DS-2CD2322WD-I							
		DS-1273ZJ-130-TRL	DS-1275ZJ-SUS	DS-1276ZJ-SUS	DS-1280ZJ-DM8	DS-1281ZJ-M	DS-1271ZJ-130-TRL	DS-1273ZJ-130B-TRL
	DS-2CD238360-I DS-2CD236360-I DS-2CD234360-I DS-2CD232360-I DS-2CD2385FWD-I DS-2CD2355FWD-I DS-2CD2345FWD-I DS-2CD2335FWD-I DS-2CD2325FWD-I DS-2CD2325FHWI-I DS-2CD336360-I DS-2CD334360-I DS-2CD332360-I DS-2CD334560-I DS-2CD332560-I	Hik white Aluminum alloy 131×183.5×228.5mm 890g	Hikvision White Stainless Steel 127 mm × 46 mm × 250 mm (5" × 1.81" × 9.84") 1480 g (3.26 lb.) Match up with wall mount(DS-1273ZJ-XX(B))	Hik white Stainless Steel 126X105X250mm 2280g Match up with wall mount(DS-1273ZJ-J-XX(B))	Hik white Aluminum alloy Ø126.7mm×35mm	Hik white Aluminum alloy 157×165.7×61.8mm 586g	Hikvision white Aluminum alloy Ø150×567mm	Hikvision White Aluminum Alloy Ø 132 mm × 242.9 mm × 288.5mm (5.20" × 9.56" × 11.36") 1690 g (3.73 lb.)










Product form	Model	Relevant brackets and housings		
		Indoor/Outdoor		
	DS-2CD234661-I DS-2CD232661-I			
		DS-1271ZJ-140 Pendant Mount	DS-1273ZJ-140 Wall mount	DS-1280ZJ-DM21 Junction box
	DS-2CD238561-I DS-2CD236561-I	Hik white Aluminum alloy Ø150×565mm 1900g	Hik white Aluminum alloy 140×183.5×232mm 703g	Hik white Aluminum alloy 162×137×42mm 250g







Product form	Model	Relevant brackets and housings						
		Indoor/Outdoor						
	DS-2CD2385FWD-I DS-2CD2355FWD-I DS-2CD2345FWD-I DS-2CD2325FWD-I DS-2CD2383G0-I DS-2CD2363G0-I DS-2CD2343G0-I DS-2CD2323G0-I	 NEW						Other brackets are the same as Hik white camera
		DS-1273ZJ-130-TRL(Black)	DS-1275ZJ-SUS(Black)	DS-1276ZJ-SUS(Black)	DS-1280ZJ-DM8(Black)	DS-1281ZJ-M(Black)	DS-1271ZJ-130-TRL(Black)	
		Wall mount	Vertical pole mount	Corner mount	Junction box	Inclined ceiling mount	Pendant mount	
		Hik Black Aluminum alloy 131×183.5×228.5mm 890g	Hik Black Stainless Steel 250 mm × 127 mm × 46 mm Diameter of clamp: Ø67-127mm 1480g Match up with wall mount(DS-1273ZJ-XX(B))	Hik Black Stainless Steel 126X105X250mm 2280g Match up with wall mount(DS-1273ZJ-J-XX(B))	Hik Black Aluminum alloy Ø126.7mm×35mm	Hik Black Aluminum alloy 157×165.7×61.8mm 586g	Hik Black Aluminum alloy Ø150×567mm	




Product form	Model	Relevant brackets and housings					
		Indoor/Outdoor					
	DS-2CD232160-I/NF						
		DS-1272ZJ-110	DS-1275ZJ-SUS	DS-1276ZJ-SUS	DS-1280ZJ-S	DS-1281ZJ-S	DS-1271ZJ-110
		Wall mount	Vertical pole mount	Corner mount	Junction box	Inclined ceiling mount	Pendant mount
		Hik white Aluminum alloy 120×122×169mm 420g	Hik white Stainless Steel 127×46×250mm Diameter of clamp: Ø67-127mm 1205g Match up with wall mount (DS-1272ZJ-110)	Hik white Stainless Steel 126X105X250mm 2280g Match up with wall mount (DS-1272ZJ-110)	Hik white Aluminum alloy 137×53.4×164.8mm 527g	Hik white Aluminum alloy 137×56.5×147mm 472g	Hik white Aluminum alloy Ø150×560mm 1900g

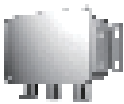


Product form	Model	Relevant brackets and housings					
		Indoor/Outdoor					
	DS-2CD2H85FWD-IZS DS-2CD2H55FWD-IZS(B) DS-2CD2H45FWD-IZS DS-2CD2H35FWD-IZS DS-2CD2H25FWD-IZS DS-2CD2H25FHW0-IZS DS-2CD2H83G0-IZS DS-2CD2H63G0-IZS DS-2CD2H43G0-IZS DS-2CD2H23G0-IZS DS-2CD3H63G0-IZS DS-2CD3H43G0-IZS DS-2CD3H23G0-IZS DS-2CD3H45G0-IZS DS-2CD3H25G0-IZS						
		DS-1473ZJ-135	DS-1471ZJ-135	DS-1281ZJ-DM23	DS-1475ZJ-SUS	DS-1476ZJ-SUS	DS-1473ZJ-135B
		Wall mount	Pendant mount	Inclined ceiling mount	Vertical pole mount	Corner mount	Wall mount with junction box
		Hik white Aluminum alloy 136×183.5×230mm 704g	Hik white Aluminum alloy 150×150×565mm 1900g	Hik white Aluminum alloy 136.3×136.3×48mm 245g	Hik white Stainless Steel 250 mm × 127 mm × 46 mm Diameter of clamp: Ø67-127mm 1205g Match up with wall mount(DS-1473ZJ-XX(B))	Hik white Stainless Steel 126X105X250mm 2280g Match up with wall mount(DS-1473ZJ-XX(B))	Hik white Aluminum alloy with junction box 136×243×290mm 1490g

Product form	Model	Relevant brackets and housings				
		Indoor/Outdoor				
	DS-2CD2H85FWD-IZS DS-2CD2H35FWD-IZS DS-2CD2H25FWD-IZS					Other brackets are the same as Hik white camera
		DS-1473ZJ-135(BLack) Wall mount	DS-1471ZJ-135(BLack) Pendant mount	DS-1281ZJ-DM23(BLack) Inclined ceiling mount	DS-1475ZJ-SUS(BLack) Vertical pole mount	
		Hik Black Aluminum alloy 136×183.5×230mm 704g	Hik Black Aluminum alloy 150×150×565mm 1900g	Hik Black Aluminum alloy 136.3×136.3×48mm 245g	Hik Black Stainless Steel 250 mm × 127 mm × 46 mm Diameter of clamp: Ø67-127mm 1205g Match up with wall mount(DS-1473ZJ-XX(B))	





Product form	Model	Relevant brackets and housings						
		Indoor/Outdoor						
	DS-2CD1H21WD-IZ DS-2CD1H31WD-IZ DS-2CD1H41WD-IZ							
	DS-2CD1H2160-IZ DS-2CD1H3160-IZ DS-2CD1H2360-IZ DS-2CD1H4360-IZ DS-2CD1H5360-IZ	DS-1273ZJ-130-TRL Wall mount	DS-1275ZJ-SUS Vertical pole mount	DS-1276ZJ-SUS Corner mount	DS-1280ZJ-M Junction box	DS-1281ZJ-M Inclined ceiling mount	DS-1271ZJ-130-TRL Pendant mount	DS-1273ZJ-130B-TRL Wall mount
		Hik white Aluminum alloy 131×183.5×228.5mm 890g	Hikvision White Stainless Steel 127 mm × 46 mm × 250 mm (5" × 1.81" × 9.84") 1480 g (3.26 lb.) Match up with wall mount(DS-1273ZJ-XX(B))	Hik white Stainless Steel 126X105X250mm 2280g Match up with wall mount(DS-1273ZJ-XX(B))	Hik white Aluminum alloy 157×184.8×53.4mm 621g	Hik white Aluminum alloy 157×165.7×61.8mm 586g	Hikvision white Aluminum alloy Ø150×567mm	Hikvision White Aluminum Alloy Ø 132 mm × 242.9 mm × 288.5mm (5.20" × 9.56" × 11.36") 1690 g (3.73 lb.)

Product form	Model	Relevant brackets and housings			
		Indoor/Outdoor			
	DS-2CD1301(D)-(I)(C) DS-2CD1321(D)-(I)(C) DS-2CD1321-(D)				
	DS-2CD1331-(D) DS-2CD1331-I DS-2CD1341-I DS-2CD131360-I DS-2CD132360-I DS-2CD134360-I DS-2CD135360-I	DS-1272ZJ-110-TRS Wall mount	DS-1275ZJ-SUS Vertical pole mount	DS-1276ZJ-SUS Corner mount	DS-1280ZJ-S Junction box
		Hik white Aluminum alloy 120×122×169mm 420g	Hik white Stainless Steel 127×46×250mm Diameter of clamp: Ø67-127mm 1205g Match up with wall mount(DS-1272ZJ-110-TRS)	Hik white Stainless Steel 126X105X250mm 2280g Match up with wall mount(DS-1276ZJ-110-TRS)	Hik white Aluminum alloy Ø137 × 53.4x 164.8mm 527g

Product form	Model	Relevant brackets and housings	
		Indoor/Outdoor	
	DS-2CD2F22FWD-(I)(W)(S) DS-2CD2F42FWD-(I)(W)(S)		
		DS-1294ZJ Wall mount	DS-1280ZJ-PT3 Junction box
		Hik white Toughened Plastic 223.9×80×125.8mm 450g	Hik white Plastic Ø120×40mm 104g

Product form	Model	Relevant brackets and housings	
Anti-corrosion Dome	DS-2CD6626DS-IZ(H)S		
		DS-1284ZJ-M Junction box	DS-1703ZJ Wall mount
		Natural Stainless Steel Color Stainless Steel 229×141×71.5mm 1981g	Natural Stainless Steel Color Stainless Steel ∅175.8×116.5×202mm





Product form	Model	Relevant brackets and housings	
Anti-corrosion Dome	DS-2XC6122FWD-IS		
		DS-1705ZJ-DM35 Wall mount	DS-1284ZJ-M Junction box
		Natural Stainless Steel Color Stainless Steel 180×74×150mm	Natural Stainless Steel Color Stainless Steel 229×141×71.5mm 1981g



Product form	Model	Relevant brackets and housings	
Anti-corrosion Bullet	DS-2CD6626B-IZ(H)S		
		DS-1701Z Wall mount	DS-1284ZJ-M Junction box
	DS-2CD6652B-IZHS	Natural Stainless Steel Color Stainless Steel 140×228×412.5mm	Natural Stainless Steel Color Stainless Steel 229×141×71.5mm 1981g







Product form	Model	Relevant brackets and housings				
Explosion-Proof Camera	DS-2XE6422F-WD-IZ(H)S DS-2XE6442F-WD-IZ(H)S					
		DS-1707ZJ-Y Wall mount	DS-2781ZJ-X Explosion-Proof Terminal Box	DS-2781ZJ-X/316L Explosion-Proof Terminal Box	DS-1707ZJ-Y-E Wall mount (316L stainless steel)	DS-1677ZJ-XS-1.0 (D) Flexible conduit
		Natural Stainless Steel Color SUS316L Stainless Steel 562.5 mm × 180 mm × 309 mm (22.15 × 7.09 × 12.17) 7.02 kg (15.48 lb.)	Natural Stainless Steel Color DS-2781ZJ-X: stainless steel 304 272 mm × 272 mm × 96.8 mm (10.7 × 10.7 × 3.8) Approx. 6.7 kg (14.8 lb.)	Natural Stainless Steel Color DS-2781ZJ-X/316L: stainless steel 316L 272 mm × 272 mm × 96.8 mm (10.7 × 10.7 × 3.8) Approx. 6.7 kg (14.8 lb.)	Natural Stainless Steel Color SUS316L Stainless Steel 562.5 mm × 180 mm × 309 mm (22.15" × 7.09" × 12.17") 7.02 kg (15.48 lb.)	NBR, braided steel wire, carbon steel ∅25 mm × 1000 mm



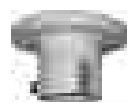


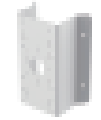

Product form	Model	Relevant brackets and housings						
Explosion-proof Bullet	DS-2XE6222F-IS DS-2XE6242F-IS							
		DS-1704Z Wall mount	DS-1706ZJ PT joint	DS-2781ZJ-X Explosion-Proof Terminal Box	DS-2781ZJ-X/316L Explosion-Proof Terminal Box	DS-1704Z-Y Wall mount	DS-1712ZJ Pendant mount	DS-1677ZJ-XS-1.0 (D) Flexible conduit
		Natural Stainless Steel Color Stainless Steel 412.5×140×228mm	Natural Stainless Steel Color Stainless Steel 85×60×55mm	Natural Stainless Steel Color DS-2781ZJ-X: stainless steel 304 272 mm × 272 mm × 96.8 mm (10.7 × 10.7 × 3.8) Approx. 6.7 kg (14.8 lb.)	Natural Stainless Steel Color DS-2781ZJ-X/316L: stainless steel 316L 272 mm × 272 mm × 96.8 mm (10.7 × 10.7 × 3.8) Approx. 6.7 kg (14.8 lb.)	Natural Stainless Steel Color 316L Stainless Steel 412.5×140×228mm	304 stainless steel	NBR, braided steel wire, carbon steel ∅25 mm × 1000 mm











Product form	Model	Relevant brackets and housings						
Explosion-Proof Camera	DS-2XE6126FWD-HS DS-2XE6146F-HS							
		DS-1694ZJ-X	DS-1695ZJ-X	DS-1696ZJ-X	DS-1697ZJ-X	DS-2781ZJ-X	DS-2781ZJ-X/316L	DS-1677ZJ-XS-1.0 (D)
		Pendant Mount	Wall Mount	Pendant Mount-316L	Wall Mount-316L	Explosion-Proof Terminal Box	Explosion-Proof Terminal Box	Flexible conduit
		Natural Stainless Steel Color stainless steel 304 φ136*306mm Approx. 1.07 kg	Natural Stainless Steel Color stainless steel 304 136*204.3*353.4 mm Approx. 1.04kg	Natural Stainless Steel Color stainless steel 316L φ136*306mm Approx. 1.07kg	Natural Stainless Steel Color stainless steel 316L 136*204.3*353.4 mm Approx. 1.04kg	Natural Stainless Steel Color DS-2781ZJ-X: stainless steel 304 272 mm × 272 mm × 96.8 mm (10.7 × 10.7 × 3.8) Approx. 6.7 kg [14.8 lb.]	Natural Stainless Steel Color DS-2781ZJ-X/316L: stainless steel 316L 272 mm × 272 mm × 96.8 mm (10.7 × 10.7 × 3.8) Approx. 6.7 kg [14.8 lb.]	NBR, braided steel wire, carbon steel Ø25 mm × 1000 mm

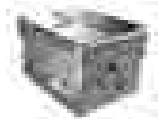
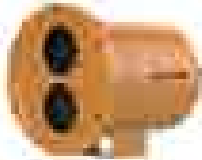
Product form	Model	Relevant brackets and housings		
Indoor Dual-lens People Counting Camera	iDS-2CD6810F/C			
		DS-1227ZJ-P1 In-ceiling mount	DS-2102ZJ Wall mount	DS-1299ZJ 302701248
		Hik white Ø253.4×8.5mm	Hik Black 194×110×50mm	Hik white Aluminum Alloy 77×77×198mm 165g

Product form	Model	Relevant brackets and housings
Outdoor Dual-lens people counting camera	iDS-2CD6810F-IV/C	
		DS-1275ZJ-P1 Horizontal pole mount
		Platinum Gray Stainless Steel, and Steel 127 mm × 140.48 mm × 250 mm (5" × 5.53" × 9.84") 1500 g (3.3 lb.)

Product form	Model	Relevant brackets and housings				
	DS-2CD6986F-(H)					
		DS-1271ZJ-DM30-E Pendant mount	DS-1605ZJ-DM30 Wall mount	DS-1280ZJ-BQ30 Junction Box	DS-1275ZJ-SUS Vertical pole mount	DS-1276ZJ-SUS Corner mount
		Hik white Aluminum alloy Ø205.6×359mm 1920g	Hik white Aluminum alloy 205.6×183.5×333.6mm 1620g	Hik white Aluminum alloy Ø195×38.5mm	Hikvision White Stainless Steel 127 mm × 46 mm × 250 mm (5" × 1.81" × 9.84") 1480 g (3.26 lb.) Match up with wall mount(DS-1605ZJ-XX(B))	Hik white Stainless Steel 126X105X250mm 2280g Match up with wall mount(DS-1605ZJ-XX(B))

Product form	Model	Relevant brackets and housings					
PanoVu		Outdoor					
	DS-2CD6D24FWD-(I)Z(H) (S)I/(NFC) DS-2CD6D54FWD-(I)Z(H) (S)I/(NFC)						
		DS-1604ZJ	DS-1663ZJ	DS-1661ZJ	DS-1275ZJ-SUS	DS-1276ZJ-SUS	DS-1673ZJ
		Wall Mount with junction box	Ceiling mount	Pendant mount	Vertical pole mount	Corner mount	Horizontal pole mount
		Hik white Aluminum alloy 255×171×355.5mm 2150g	Hik white Aluminum alloy Φ116.5×57mm	Hik white Aluminum alloy Φ116.5×200mm	Hik white Stainless Steel 127×46×250mm Diameter of clamp: Φ67-127mm 1205g	Hik white Stainless Steel 126×105×250mm 2280g	Hik white Steel(mounting board) & Stainless Steel(clamp) Diameter of clamp: Φ67-127mm Match up with pendant mount

Product form	Model	Relevant brackets and housings								
PanoVu Series Panoramic Dome Camera		Outdoor								
	DS-2CD6924F-(I)S(I)/(NFC) DS-2CD6984G0									
		DS-1661ZJ	DS-1662ZJ	DS-1604ZJ	DS-1604ZJ-pole	DS-1604ZJ-corner	DS-1604ZJ-box	DS-1604ZJ-BOX-POLE	DS-1604ZJ-BOX-CORNER	DS-1602ZJ
		Pendant mount	Pendant mount	Wall Mount with junction box	Vertical pole mount	Corner mount	Wall mount with junction box	"Vertical Pole Mount with junction box"	Wall Mount with junction box	Wall mount
		Hik white Aluminum alloy Φ116.5×200mm 600g	Hik white Aluminum alloy Φ116.5×500mm 960g	Hik white Aluminum alloy 255×171×355.5mm 2150g	Hik white Aluminum alloy 170.7×261.8× 355.5mm	Hik white Aluminum alloy 206.8×261.8× 465mm	Hik white Aluminum alloy 281.2×170.7× 395.5mm	Hik white Aluminum alloy & steel 222×139.3×422mm	Hik white Aluminum alloy & steel 255.5×314× 542.5mm	Hik white Aluminum alloy 97X182X305mm 1050g




Product form	Model	Relevant brackets and housings
Underwater Camera	DS-2XC6224G0-L	
		DS-1706ZJ PT joint
	DS-2XC6225G0-L	Natural Stainless Steel Color Stainless Steel 85×60×55mm

Relevant brackets and housings







DS-1279ZJ Extendable pole for Pendant mount
Hik white Aluminum alloy 250mm Match up with pendant mount(DS-1271ZJ- XXX, DS-1471ZJ-XXX)



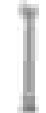









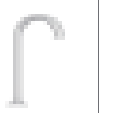

BRACKET


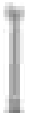


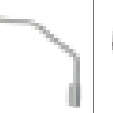








PTZ CAMERA



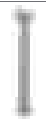

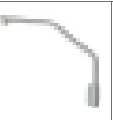


















Product form	Model	Relevant brackets and housings
1" Mini Indoor PTZ without IR	DS-2DE1A200(I) W-DE3 DS-2DE1A400(I) W-DE3	Indoor
		
2.5" Mini Indoor PTZ without IR	DS-2DE2A204(I) W-DE3 DS-2DE2A404(I) W-DE3	DS-1294ZJ-PT Wall Mount
		Hikvision White Plastic and Steel 223.5 mm x 125.8 mm x 80 mm (8.8" x 4.95" x 3.15") 480 g (1.06 lb.)










Product form	Model	Relevant brackets and housings	
2.5" Mini Indoor PTZ without IR	DS-2DE2204IW DS-2DE2204IW-DE3/W	Indoor	
			
	DS-2DE2106IW-DE3	DS-1294ZJ Wall Mount	DS-1280ZJ-PT3 Junction box
		Hik white Toughened Plastic 223.9x80x125.8mm 450g	Hik white Plastic Φ120x40mm 104g


















Product form	Model	Relevant brackets and housings				
3" Mini PTZ	DS-2DE3204W-DE DS-2DE3304W-DE	Indoor				
						
		DS-1227ZJ-PT6 In-ceiling mount	DS-1273ZJ-PT6 Wall mount	DS-1280ZJ-PT6 Junction Box	DS-1275ZJ-SUS Vertical pole mount	DS-1276ZJ-SUS Corner mount
		Hik white Steel+Platic Φ210x79.3mm	Hik white 183.5x140x232mm	Hik white Aluminum alloy 136.5x42x162.5mm 280g	Hik white Stainless Steel 127x46x250mm Diameter of clamp: Φ67-127mm 1205g Match up with DS_1273ZJ-PT6	"Hik white Stainless Steel 126x105x250mm 2280g Match up with DS_1273ZJ-PT6







Product form	Model	Relevant brackets and housings												
4 inch PTZ Dome Camera without IR		Outdoor(only available for outdoor PTZ model)												
														
		Pendant mount	Pendant mount	Ceiling mount	Wall mount(short arm)	Parapet wall mount	Wall Mount with junction box	Vertical pole mount	Corner mount	Wall mount with junction box	Vertical Pole Mount with junction box	Wall Mount with junction box	Gooseneck mount	Wall Mount
		Hik white Aluminum alloy Φ116.5x200mm 600g	Hik white Aluminum alloy Φ116.5x500mm 960g	Hik white Aluminum alloy Φ116.5x57mm 380g	Hik white Aluminum alloy 110x145x189mm 550g	Hik white Aluminum alloy 180x950x800mm 2900g	Hik white Aluminum alloy 255x171x355.5mm 2150g	Hik white Aluminum alloy 170.7 x 261.8x 355.5mm	Hik white Aluminum alloy 206.8x261.8x 465mm	Hik white Aluminum alloy 281.2x170.7x 395.5mm	Hik white Aluminum alloy & steel 222x139.3x 422mm	Hik white Aluminum alloy & steel 255.5x314x 542.5mm	Hik white Aluminum alloy 455.2x130.4x 841.5mm	Hik white Aluminum alloy 97x182x 305mm






Product form	Model	Relevant brackets and housings													
4 inch PTZ Dome Camera with IR	DS-2AE4225T1-D(C) DS-2AE4215T1-D(C) DS-2DE4425IW-DE DS-2DE4415IW-DE DS-2DE4225IW-DE DS-2DE4215IW-DE	Outdoor(only available for outdoor PTZ model)													
															
		Pendant mount	Pendant mount	Ceiling mount	Wall mount(short arm)	Parapet wall mount	Wall Mount with junction box	Vertical pole mount	Corner mount	Wall mount with junction box	Vertical Pole Mount with junction box	Wall Mount with junction box	Gooseneck mount	Wall Mount	In-ceiling mount
		Hik white Aluminum alloy Φ116.5x200mm 600g	Hik white Aluminum alloy Φ116.5x500mm 960g	Hik white Aluminum alloy Φ116.5x57mm 380g	Hik white Aluminum alloy 110x145x189mm 550g	Hik white Aluminum alloy 180x950x800mm 2900g	Hik white Aluminum alloy 255x171x355.5mm 2150g	Hik white Aluminum alloy 170.7 x 261.8x 355.5mm	Hik white Aluminum alloy 206.8x261.8x 465mm	Hik white Aluminum alloy 281.2x170.7x 395.5mm	Hik white Aluminum alloy & steel 222x139.3x 422mm	Hik white Aluminum alloy & steel 255.5x314x 542.5mm	Hik white Aluminum alloy 455.2x130.4x 841.5mm	Hik white Aluminum alloy 97x182x 305mm	Hik Black Steel + plastic Φ232.9x142.6mm



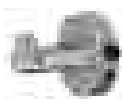

Product form		Model	Relevant brackets and housings													
			Outdoor(only available for outdoor PTZ model)													
5 inch with IR		DS-2DE5432IW-AE DS-2DE5425IW-AE DS-2DE5232IW-AE DS-2DE5225IW-AE DS-2AE5232TI-A (C) DS-2AE5225TI-A (C)														
5 inch with-out IR		DS-2DF5232X-AEL DS-2DF5225X-AEL	DS-1661ZJ	DS-1662ZJ	DS-1663ZJ	DS-1660ZJ	DS-1604ZJ	DS-1604ZJ-pole	DS-1604ZJ-corner	DS-1604ZJ-box	DS-1604ZJ-BOX-POLE	DS-1604ZJ-BOX-CORNER	DS-1619ZJ	DS-1667ZJ	DS-1602ZJ	
		DS-2DE5425W-AE DS-2DE5330W-AE DS-2DE5320W-AE DS-2DE5232W-AE DS-2DE5225W-AE DS-2AE5232T-A (C) DS-2AE5232T-A3 (C) DS-2AE5225T-A (C) DS-2AE5225T-A3 (C)	Pendant mount	Pendant mount	Ceiling mount	Parapet wall mount	Wall mount	Vertical pole mount	Corner mount	Wall mount with junction box	Vertical Pole Mount with junction box	Wall Mount with junction box	Gooseneck mount	Extendable pole for Pendant mount	Wall Mount	
7 inch with IR		DS-2DF7232IX-AEL DS-2DF7232IX-AELW DS-2DF7225IX-AEL DS-2DF7225IX-AELW	Hik white Aluminum alloy Ø116.5×200mm 600g	Hik white Aluminum alloy Ø116.5×500mm 960g	Hik white Aluminum alloy Ø116.5×57mm 380g	Hik white Aluminum alloy 180×950×800mm 2900g	Hik white Aluminum alloy 255×171×355.5mm 2150g	Hik white Aluminum alloy 170.7×261.8×355.5mm	Hik white Aluminum alloy 206.8×261.8×465mm	Hik white Aluminum alloy 281.2×170.7×395.5mm	Hik white Aluminum alloy & steel 222×139.3×422mm	Hik white Aluminum alloy & steel 255.5×314×542.5mm	Hik white Aluminum alloy 455.2×130.4×841.5mm	Hik white Galvanized steel pipe 1500-2500mm	Hik white Aluminum alloy 97×182×305mm	
		DS-2DE7530IW-AE DS-2DE7430IW-AE DS-2DE7425IW-AE DS-2DE7330IW-AE DS-2DE7320IW-AE DS-2DE7232IW-AE DS-2DE7225IW-AE DS-2AE7232TI-A (C) DS-2AE7225TI-A (C)														
		DS-2DE7A225MX-AE DS-2DE7A232MX-AE														
6 inch		DS-2DF6225X-AEL														
8 inch		DS-2DF8836IX-AEL DS-2DF8836IX-AELW DS-2DF8825IX-AEL DS-2DF8825IX-AELW DS-2DF8436IX-AEL DS-2DF8436IX-AELW DS-2DF8425IX-AEL DS-2DF8425IX-AELW DS-2DF8236IX-AEL DS-2DF8236IX-AELW DS-2DF8225IX-AEL DS-2DF8225IX-AELW														
Traffic PTZ		IDS-2VS235-F836														
Laser IR PTZ		DS-2DF8836ISX-AELW DS-2DF8436ISX-AELW DS-2DF8236ISX-AELW DS-2DF8250ISX-AEL DS-2DF8250ISX-AELW DS-2DF8250ISX-AELW														





Product form		Model	Relevant brackets and housings												
	DS-2DE4A220IW-DE DS-2DE4A320IW-DE	Indoor													
															
		DS-1605ZJ Wall Mount Bracket	DS-1671ZJ-SD11 In-ceiling Mount Bracket	DS-1280ZJ-SD11 Junction Box	DS-1691ZJ-L Pendant mount	DS-1691ZJ-M Pendant mount	DS-1691ZJ Pendant mount	DS-1275ZJ-SUS Vertical pole mount	DS-1276ZJ-SUS Corner mount						
Hik white Aluminum alloy 183.5×120×228.6mm 1120g		Hik white Aluminum alloy Φ233×85mm		Hik white Aluminum alloy Φ158×40mm		Hik white Steel 124x84x1000mm 2175g		Hik white Steel 124x84x500mm 1175g		Hik white Aluminum alloy 84×124×335mm 980g		Hik white Stainless Steel 127×46×250mm Diameter of clamp: Φ67- 127mm 1205g Match up with DS_1605ZJ		Hik white Stainless Steel 126×105×250mm 2280g Match up with DS_1605ZJ	









Product form		Model	Relevant brackets and housings													
DarkFighterX PTZ camera		DS-2DF8225IH- AEL(W)	Outdoor													
																
6A seriesPTZ Dome Camera		DS-2DF6A836X-AEL DS-2DF6A825X-AEL DS-2DF6A436X-AEL DS-2DF6A425X-AEL DS-2DF6A236X-AEL DS-2DF6A225X-AEL	DS-1604ZJ-P Wall Mount with junction box	DS-1663ZJ-P Ceiling mount	DS-1660ZJ-P Parapet wall mount	DS-1661ZJ-P Pendant mount	DS-1667ZJ-P Extendable pole for Pendant mount	DS-1663ZJ-P Ceiling mount	DS-1682ZJ-P Extendable pole for Pendant mount	DS-1662ZJ-P Pendant mount	DS-1673ZJ-P Horizontal pole mount	DS-1604ZJ-Pole-P Vertical pole mount	DS-1604ZJ-Corner-P Corner mount	DS-1604ZJ-BOX-P Wall mount with junction box	DS-1604ZJ-BOX-CORNER-P Wall Mount with junction box	DS-1604ZJ-BOX-POLE-P Vertical Pole Mount with junction box
8A seriesPTZ Dome Camera		DS-2DF8A425(N) X-AEL DS-2DF8A436(N) X-AEL DS-2DF8A825(N) X-AEL DS-2DF8A836(N) X-AEL	Platinum gray Aluminum alloy 255×171× 355.5mm 2150g	Platinum gray Aluminum alloy Φ116.5×57mm 380g	Platinum gray Aluminum alloy 180×950× 800mm 2900g	Platinum gray Aluminum alloy Φ116.5× 200mm 600g	Platinum gray Galvanized steel pipe 1500- 2500mm	Platinum gray Aluminum alloy Φ116.5×57mm 380g	Platinum gray Aluminum alloy 500mm Match up with pendant mount(DS- 1661ZJ-P)	Platinum gray Aluminum alloy Φ116.5× 500mm 960g	Platinum gray Steel(mount- ing board) & Stainless Steel(clamp) Diameter of clamp: Φ67- 127mm Match up with pendant mount"	Platinum gray Aluminum alloy 170.7×261.8× 355.5mm	Platinum gray Aluminum alloy 206.8×261.8× 465mm	Platinum gray Aluminum alloy 281.2×170.7× 395.5mm	Platinum gray Aluminum alloy & steel 255.5×314× 542.5mm	Platinum gray Aluminum alloy & steel 222×139.3× 422mm








Product form		Model	Relevant brackets and housings						
9C seriesPTZ Dome Camera		DS-2DF9C245IH-DLW DS-2DF9C435IH-DLW	Outdoor						
									
			DS-1603ZJ-P Wall mount	DS-1668ZJ-P Pendant mount	DS-1668ZJ(20)-P Pendant mount	DS-1603ZJ-Pole-P Vertical Pole Mount	DS-1619ZJ-HP2 Gooseneck Mount		
Platinum Gray Aluminum Alloy 364.1 mm × 182.0 mm (14.3" × 7.2") 1400 g (3.09 lb.)		Platinum Gray Steel Φ115×58mm 620g		Platinum Gray Steel Φ 115 mm × 200 mm (4.53" × 7.87") 1150 g (2.54 lb.)		Platinum Gray Aluminum Alloy+steel 410.6×194×126.1 mm 2.5Kg		Platinum Gray Stainless Steel Ø 130 mm × 455 mm × 526 mm (5.12" × 17.91" × 20.71") 5200 g (12.46 lb.)	



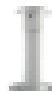




Product form	Model	Relevant brackets and housings			
Indoor PTZ	 DS-2DF5220-D4 DS-2DF5220S-DE4/W	Indoor			
					
DS-1691ZJ		DS-1695ZJ	DS-1691ZJ-L	DS-1691ZJ-M	
Pendant mount	Integrated wall mount	Pendant mount	Pendant mount		
Hik white Aluminum alloy 84x124x335mm 980g	Hik white Aluminum alloy + Plastic 157x86x246mm	Hik white Steel 124x84x1000mm 2175g	Hik white Steel 124x84x500mm 1175g		











Product form	Model	Relevant brackets and housings		
PanoVu PT	 iDS-2PT9122IX-DE/S Wall mount bracket included in the package	Outdoor		
				
DS-2664ZJ		DS-2601ZJ-P	DS-2665ZJ-P	
Pendant mount	Wall Mounting Bracket[INCLUDED]	Base Mounting Bracket		
Gray Aluminum alloy Ø203.5×217.4mm	Plastic with surface spray treatment Ø 203.5 mm × 227.9 mm	Plastic with surface spray treatment 178.7 mm × 126 mm × 57.2 mm		


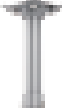

Product form	Model	Relevant brackets and housings	
Mini PanoVu Series	 DS-2PT3326IZ-DE3 DS-2PT3122IZ-DE3	Indoor	
			
DS-1294ZJ-TRL	DS-1271ZJ-PT10		
Wall Mount	Pendant Mount		
	DS-2PT3306IZ-DE3	Hik white PC+ABS	Hik white Aluminum Alloy and Plastic Ø 160.6 mm × 532 mm (6.32" × 20.9") 1300 g (2.87 lb.)

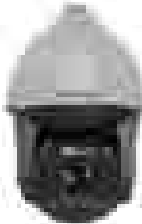



Product form	Model	Relevant brackets and housings					
Mini PanoVu Series	 DS-2PT5326IZ-DE	Outdoor					
							
DS-1604ZJ	DS-1604ZJ-pole	DS-1604ZJ-corner	DS-1661ZJ	DS-1619ZJ-H2	DS-1602ZJ		
Wall Mount with junction box	Vertical pole mount	Corner mount	Pendant mount	Gooseneck Mount	Wall Mount		
	DS-2PT5306IZ-DE DS-2PT5306BZ-DE	Hik white Aluminum alloy 255x171x 355.5mm 2150g	Hik white Aluminum alloy 170.7x261.8x 355.5mm	Hik white Aluminum alloy 206.8x261.8x 465mm	Hik white Aluminum alloy Ø116.5x200mm 600g	Hik white Stainless Steel Ø 130 mm × 455 mm × 526 mm (5.12" × 17.91" × 20.71") 5200 g (12.46 lb.)	Hik white Aluminum alloy 97X182X305mm







Product form	Model	Relevant brackets and housings				
PanoVu	 DS-2DP1636IZIX-D/236	Outdoor				
						
DS-1603ZJ-P	DS-1668ZJ-P	DS-1668ZJ[20]-P	DS-1603ZJ-Pole-P	DS-1619ZJ-HP2		
Wall mount	Pendant mount	Pendant mount	Vertical Pole Mount	Gooseneck Mount		
	DS-2DP0818IZIX-D DS-2DP0818ZX-D(B) DS-2DP1636ZX-D(B) DS-2DP1636ZIX-D(B) DS-2DP0818ZIX-D(B)	Platinum Gray Aluminum Alloy 364.1 mm × 182.0 mm (14.3 × 7.2) 1400 g (3.09 lb.)	Platinum Gray Steel Ø115x58mm 620g	Platinum Gray Steel Ø 115 mm × 200 mm (4.53 × 7.87) 1150 g (2.54 lb.)	Platinum Gray Aluminum Alloy+steel 410.6x194x 126.1 mm 2.5Kg	Platinum Gray Stainless Steel Ø 130 mm × 455 mm × 526 mm (5.12" × 17.91" × 20.71") 5200 g (12.46 lb.)

Product form	Model	Relevant brackets and housings						
PanoVu	 DS-2DP0818Z-D DS-2DP1636Z-D	Outdoor						
								
DS-1603ZJ Wall mount		DS-1668ZJ Pendant mount	DS-1668ZJ(20) Pendant mount	DS-1673ZJ Horizontal pole mount	DS-1684ZJ Vertical Pole mount	DS-1678ZJ Junction Box	DS-1619ZJ-H2 Gooseneck Mount	
Hik white Aluminum alloy 98×182×362mm	Hik white Steel Φ115×58mm 620g	Hik white Steel Φ115×200mm 1150g	Hik white Steel(mounting board) & Stainless Steel(clamp) Diameter of clamp: Φ67- 127mm Match up with pendant mount	Hik white Steel(mounting board) & Stainless Steel(clamp) Diameter of clamp: Φ67- 127mm Match up with Wall mount	Hik white Aluminum alloy 286×424×119.5mm	Hik white Stainless Steel Ø 130 mm × 455 mm × 526 mm (5.12" × 17.91" × 20.71") 5200 g (12.46 lb.)		







Product form	Model	Relevant brackets and housings								
PanoVu	 DS-2DP1636-D	Outdoor								
										
DS-1603ZJ Wall mount		DS-2663ZJ 3-axis Mount	DS-1668ZJ Pendant mount	DS-1668ZJ(20) Pendant mount	DS-1673ZJ Horizontal pole mount	DS-1684ZJ Vertical Pole mount	DS-1678ZJ Junction Box	DS-1619ZJ-H2 Gooseneck Mount	DS-2663ZJ 3-axis Mount	
Hik white Aluminum alloy 98×182×362mm	Hik white Aluminum alloy 275.8×269×140.1mm 2600g	Hik white Steel Φ115×58mm 620g	Hik white Steel Φ115×200mm 1150g	Hik white Steel(mounting board) & Stainless Steel(- clamp) Diameter of clamp: Φ67-127mm Match up with pendant mount	Hik white Steel(mounting board) & Stainless Steel(- clamp) Diameter of clamp: Φ67-127mm Match up with Wall mount	Hik white Aluminum alloy 286×424×119.5mm	Hik white Stainless Steel Ø 130 mm × 455 mm × 526 mm (5.12" × 17.91" × 20.71") 5200 g (12.46 lb.)	Hik white Aluminum alloy 275.8×269×140.1mm 2600g		


Product form	Model	Relevant brackets and housings	
Anti-corrosion PTZ	 DS-2DT6223-AEL	Outdoor	
			
DS-1696ZJ-Y Pendant mount		DS-1697ZJ-Y Wall mount	
Stainless steel 316L 160×160×342mm 1890g	Stainless steel 316L 136×212×326mm 2300g		

Product form	Model	Relevant brackets and housings		
Anti-corrosion PTZ	 DS-2DF8236IX-AELWY	Outdoor		
				
DS-1602ZJ-AKS Wall mount		DS-1604ZJ-BOX-Corner-Y Corner Pole Mount with junction box	DS-1604ZJ-BOX-Y Wall mount with junction box	
Stainless steel material with surface spray treatment 97X182X305mm 1050g	Stainless steel material with surface spray treatment 255.5×314×542.5mm	Stainless steel material with surface spray treatment Aluminum alloy 281.2×170.7×395.5mm		

Product form	Model	Relevant brackets and housings				
Explosion-proof		Outdoor				
	DS-2DF6223-CX(W) DS-2DF6223-CX(W/316L) wall mount bracket included in the package					
		DS-1691ZJ-X Pendant Mounting	DS-1690ZJ-X Wall mounting bracket (included)	DS-1677ZJ-XS-1.0 (C2) Flexible conduit	DS-2780ZJ-X Explosion-proof terminal box	DS-1677ZJ-XS-1.0 (D) Flexible conduit
		Stainless steel 304L 250 mm × 200 mm × 303 mm 6 kg	SUS304 stainless steel 350 mm × 227.5 mm × 345.5 mm 7 KG	NBR, braided steel wire, carbon steel Ø25 mm × 1000 mm	stainless steel 272 mm × 272 mm × 96.8 mm 6.4 kg	NBR, braided steel wire, carbon steel Ø25 mm × 1000 mm







Product form	Model	Relevant brackets and housings					
Explosion-proof Zoom Bullet Camera		Outdoor					
	DS-2DB4223I-CX(WE)						
		DS-1707ZJ-E Wall mount	DS-1707ZJ Wall mount	DS-1677ZJ-XS-1.0 (D) Flexible conduit	DS-2780ZJ-X Explosion-proof terminal box	DS-1708ZJ PT joint	DS-1677ZJ-XS-1.0 (D) Flexible conduit
		{304 stainless steel} 562.5 mm × 180 mm × 309 mm 7.02 kg	{304 stainless steel} 543.5 mm × 160 mm × 258 mm 4.98 kg	NBR, braided steel wire, carbon steel Ø25 mm × 1000 mm	stainless steel 272 mm × 272 mm × 96.8 mm 6.4 kg	{304 stainless steel}	NBR, braided steel wire, carbon steel Ø25 mm × 1000 mm



Product form	Model	Relevant brackets and housings				
Explosion-proof Zoom Bullet Camera		Outdoor				
	DS-2DB4223I-CX(WE/316L) DS-2DB4236I-CWX(WE/316L)					
		DS-1707ZJ-E Wall mount	DS-1707ZJ Wall mount	DS-1677ZJ-XS-1.0 (D) Flexible conduit	DS-2780ZJ-X Explosion-proof terminal box	DS-1677ZJ-XS-1.0 (D) Flexible conduit
		{304 stainless steel} 562.5 mm × 180 mm × 309 mm 7.02 kg	{304 stainless steel} 543.5 mm × 160 mm × 258 mm 4.98 kg	NBR, braided steel wire, carbon steel Ø25 mm × 1000 mm	stainless steel 272 mm × 272 mm × 96.8 mm 6.4 kg	NBR, braided steel wire, carbon steel Ø25 mm × 1000 mm





Product form	Model	Relevant brackets and housings		
Zoom camera	DS-2ZCA2304P(N) DS-2ZCA3604P(N)	Indoor		Housing
				
Zoom camera	DS-2DZ21xx series DS-2ZCNxxxx series	DS-1299ZJ Pendant Mount	DS-1292ZJ Wall mount	DS-1331HZ-CZ Outdoor housing
		Hik white Aluminum Alloy 77×77×198mm 165g	Hik white Aluminum alloy 70×97.1× 217.9mm 201g	Hik white Aluminum alloy

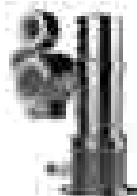

BRACKET

POSITIONING

Product form	Model	Relevant brackets and housings	
Positioning System		Outdoor	
	DS-2DY9250IAX-A DS-2DY9236IX-A DS-2DY9188-AIA DS-2DY9187-AI8		
		DS-1693ZJ Wall mount	DS-1678ZJ Junction Box
	DS-2DY9236IX-A DS-2DY9188-AI2 DS-2DY9185-AI2		
	DS-2DY9250X-A DS-2DY9236X-A DS-2DY9188-A DS-2DY9185-A	Hik white steel 190×200×500mm 5700g	Hik white Aluminum alloy 286×424×119.5mm
	DS-2DY7236W-A DS-2DY7236IW-A		






Product form	Model	Relevant brackets and housings	
Positioning System Lite		Outdoor	
			
	DS-2DY5223IW-AE	DS-1693ZJ-S Wall mount	
			Hik white steel 167×182×309mm 2330g







Product form	Model	Relevant brackets and housings		
PT Bullet Camera		Outdoor		
				
	DS-2DY3320IW-DE DS-2DY3220IW-DE	DS-1280ZJ-M(SPTZ) Junction Box	DS-1281ZJ-M(SPTZ) Inclined ceiling mount	DS-1275ZJ(SPTZ) Pole mount
		Hik white steel 157 x 53.4 x 184mm 621g	Hik white steel 157 x 61.8 x 165.7mm 586g	Hik white steel 250 x 127 x 140mm



Product form	Model	Relevant brackets and housings	
Explosion-Proof Positioning System		Outdoor	
			
	DS-2DY9236I-CWX-(W/316L)	DS-1713ZJ-Y (SUS316L) Wall Mounting Bracket	
			Natural Stainless Steel Color SUS316L Ø 270 mm × 479 mm × 235 mm (Ø 10.63 × 18.86 × 9.25) 7.1 kg (15.65 lb.)














BRACKET

HOUSING

Key feature	Model	Relevant brackets		
 Hik white Complex fiber 290×142×92mm 640g	DS-1330HZ	Indoor		
				
 Hik white Aluminum alloy 288×149×100mm 800g	DS-1332HZ	DS-1293ZJ Wall mount	DS-1299ZJ Pendant Mount	DS-1269ZJ Pendant mount
		Hik white Aluminum alloy 88×116.6× 297.3mm 473g	Hik white Aluminum Alloy 77×77×198mm 165g	Hik white Aluminum alloy 493×246×88mm 480g









Key feature	Model	Relevant brackets				
 Hik white Aluminum alloy Containing fan and heater AC 24V(DC 12V) IP66 174×153×550mm 2500g	DS-4718HZ-K	Outdoor				
						
		DS-1293ZJ Wall mount	DS-1269ZJ Pendant mount	DS-1214ZJ Horizontal pole mount	DS-1214ZJ-T Horizontal pole mount	DS-1275ZJ-SUS Vertical pole mount
Hik white Aluminum alloy 88×116.6× 297.3mm 473g	Hik white Aluminum alloy 493×246× 88mm 480g	Hik white Steel(mount- ing board) & Stainless Steel(clamp) 117×226× 194mm Diameter of clamp: Ø67- 127mm 1895g	Hik white Steel(mount- ing board) & Stainless Steel(clamp)	Hik white Stainless Steel 127×46×25 0mm Diameter of clamp: Ø67- 127mm 1205g Match up with wall mount(DS- 1293ZJ)		




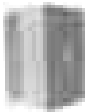

Key feature	Model	Relevant brackets
 Three-axis adjustment Containing combined wires and fan IK10	DS-1340HZ	Outdoor
		
		DS-1275ZJ-4626 Vertical Pole Mount
		Hik white, Steel(mounting board) & Stainless Steel(clamp) 127×46×250mm 1235g For 5 series box camera











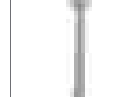




Key feature	Model	Key feature	Model	Relevant brackets									
 Hik white Aluminum alloy Containing fan DC12V IP67 110×165×445mm 1900g	DS-1331HZ-C	 Hik white Aluminum alloy Containing fan and heater AC24V IP67 110×165×445mm 1900g	DS-1331HZ-CE	Outdoor									
	Hik white Aluminum alloy Containing fan and heater AC24V IP67 110×165×445mm 1900g		DS-1331HZ-H	Hik white Aluminum alloy Containing fan DC12V IP67 IK10 445×140×94mm 1900g	DS-1331HZ-CI								
 Hik white Aluminum alloy Containing fan and wiper AC24V IP67 445×165×170mm 1900g	DS-1331HZ-W	 Hik white Aluminum alloy Containing fan and heater AC 24V(DC 12V) IP67 suitable for wide angle lens and fish-eye lens 454.2×169.2×114.6mm 1900g	DS-1331HZ-HI	DS-1293ZJ	DS-1269ZJ	DS-1214ZJ	DS-1214ZJ-T	DS-1233ZJ	DS-1232ZJ	DS-1232ZJ-T	DS-1275ZJ-SUS		
	Hik white Aluminum alloy Containing fan, wiper and heater AC24V IP67 445×165×170mm 2500g		DS-1331HZ-HW	Hik white Aluminum alloy Containing fan and heater AC 24V(DC 12V) IP67 suitable for wide angle lens and fish-eye lens 454.2×169.2×114.6mm 1900g	DS-1331HZ-HI	Wall mount	Pendant mount	Horizontal pole mount	Horizontal pole mount	Column Mount	Cardan Joint	Cardan Joint	Vertical pole mount
		 Hik white Aluminum alloy Containing Cooling module AC 110 to 240V IP66 490×169.4×100mm 3200g	DS-1331HZ-R	Hik white Aluminum alloy 88×116.6× 297.3mm 473g	Hik white Aluminum alloy 493×246× 88mm 480g	Hik white Steel(mount- ing board) & Stainless Steel(clamp) 117×226× 194mm Diameter of clamp: Ø67- 127mm 1895g	Hik white Steel(mount- ing board) & Stainless Steel(clamp)	Hik white Steel Ø160 x 1093mm 6200g	Hik white Steel 126×103.5x 83mm 790	Hik white Steel 96×95×92.5mm	Hik white Stainless Steel 127×46× 250mm Diameter of clamp: Ø67- 127mm 1205g Match up with wall mount(DS- 1293ZJ)		






BRACKET



THERMAL ACCESSORIES

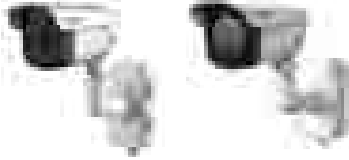

Product form		Relevant brackets					
 Dome Camera DS-2TD1217/V1	 DS-1273ZJ-130-TRL Wall mount	 DS-1275ZJ-SUS Vertical pole mount	 DS-1276ZJ-SUS Corner mount	 DS-1280ZJ-M Junction box	 DS-1281ZJ-M Inclined ceiling mount	 DS-1271ZJ-130-TRL Pendant mount	 DS-1273ZJ-130B-TRL Wall mount
	Hik white Aluminum alloy 131×183.5×228.5mm 890g	Hikvision White Stainless Steel 127 mm × 46 mm × 250 mm (5" × 1.81" × 9.84") 1480 g (3.26 lb.) Match up with wall mount(DS-1273ZJ-XX(B))	Hik white Stainless Steel 126X105X250mm 2280g Match up with wall mount(DS-1273ZJ-XX(B))	Hik white Aluminum alloy 157×184.8×53.4mm 621g	Hik white Aluminum alloy 157×165.7×61.8mm 586g	Hikvision white Aluminum alloy Ø150×567mm	Hikvision White Aluminum Alloy Ø 132 mm × 242.9 mm × 288.5mm (5.20" × 9.56" × 11.36") 1690 g (3.73 lb.)

Product form		Relevant brackets		
 Single-lens Bullet Camera DS-2TD2136V1/2166V1/2117V1	 Thermal Bi-spectrum Network Bullet Camera DS-2TD2615/2636/2617V1	 DS-1275ZJ Vertical pole mount	 DS-1276ZJ Corner mount	 DS-1260ZJ Junction box
		Hik white Stainless steel 117×143×195mm	Hik white Stainless steel 158X173mm	Hik white Aluminum alloy Ø88.5 mm

Product form		Relevant brackets												
 Thermal Speed Dome DS-2TD41XX	 DS-1602ZJ Wall mount	 DS-1602ZJ-pole Vertical pole mount	 DS-1602ZJ- corner Corner mount	 DS-1604ZJ-box Wall mount, including power box	 DS-1604ZJ- BOX-POLE Vertical Pole Mount with junction box	 DS-1604ZJ- BOX-CORNER Wall Mount with junction box	 DS-1673ZJ Vertical pole mount	 DS-1619ZJ Gooseneck mount	 DS-1661ZJ Pendant mount	 DS-1662ZJ Pendant mount	 DS-1667ZJ Extendable pole for Pendant mount	 DS-1682ZJ Extendable pole for Pendant mount	 DS-1663ZJ Ceiling mount	 DS-1660ZJ Parapet wall mount
	Hik white Aluminum alloy 97×182×305mm	Hik white Aluminum alloy 117×194× 310mm	Hik white Aluminum alloy 176.8×194× 419.5mm	Hik white Aluminum alloy 281.2×170.7× 395.5mm	Hik white Aluminum alloy 222×139× 422mm	Hik white Aluminum alloy 255×314× 542mm	Hik white Stainless steel Ø67-127mm	Hik white Aluminum alloy 455.2×130.4× 841.5mm	Hik white Aluminum alloy Ø116.5×200mm	Hik white Aluminum alloy Ø116.5×500mm	Hik white Galvanized steel pipe 1500-2500mm	Hik white Aluminum alloy Ø116.5×500mm	Hik white Aluminum alloy Ø116.5×57mm	Hik white Aluminum alloy Ø180×950× 800mm

Product form	Relevant brackets			
 <p>Thermal smart linkage Tracking System DS-2TX36XX</p>				
	DS-2902ZJ	DS-2904ZJ	DS-2903ZJ	DS-2905ZJ
	Wall mount	Vertical pole mount	Vertical pole mount	
	Hik white Stainless steel 259×396×119mm	Hik white Stainless steel 70×38mm	Hik white Stainless steel 118×194×Φ200mm	Hik white Aluminum alloy Φ116.5-57mm

Product form	Relevant brackets
 <p>Thermal & Optical Bi-spectrum Network Positioning System DS-2TD62XX</p>	
	DS-1693ZJ
	Wall mount
	Hik white steel 190×200×500mm 5700g

Product form	Relevant brackets
 <p>Thermal & Optical Bi-spectrum Network Bullet DS-2TD23XX DS-2TD28XX</p>	
	DS-2904ZJ
	Vertical pole mount
	Hik white Steel 157×240×Φ200mm

Pro & Value Series Quick Guide

Hikvision Headquarters

No.555 Qianmo Road
310052 Hangzhou
China
T +86 571 88075998
sales@hikvision.com

Hikvision Europe

Dirk Storklaan 3
2132 PX Hoofddorp
The Netherlands
T +31 23 5542770
info.eu@hikvision.com

Hikvision France

6 rue Paul Cézanne,
93360 Neuilly-Plaisance
France
T +33 (0)1 85330450
info.fr@hikvision.com

Hikvision Italy

Via Abruzzo 12
Z.I. San Giacomo
31029 Vittorio Veneto TV
Italy
T +39 0438 6902
info.it@hikvision.com

Hikvision Poland

The Park, Office Building A
Krakowiaków 50
02-255 Warsaw, Poland
T +48 22 4600150
info.pl@hikvision.com

Hikvision Spain

Calle de Almazara 9
28760 Tres Cantos
Madrid, Spain
T +34 91 7371655
info.es@hikvision.com

Hikvision Czech

BETA Building, Vyskocilova
1481/4, Prague 4
Czech Republic
T +42 29 6182640
info.cz@hikvision.com

Hikvision Germany

Flughafenstr. 21
63263 Neu-Isenburg
Zeppelinheim, Germany
T +49 69 401507290
sales.dach@hikvision.com