

HIKVISION®

2019 Q1

HIKVISION EU CCTV CATALOGUE
Professional series

www.hikvision.com

HIKVISION UNAUTHORIZED DISTRIBUTORS POLICY

Hikvision Europe sells products only through authorized distributors. We value our industry partners and are proud of the relationships we have developed to help expand the use of our innovative technology products and solutions. These authorized distributors have committed to serve as a link in the Hikvision Europe value chain by providing excellent pre- and post-sale customer service, including full firmware and sales engineering support.

Not every distributor advertising Hikvision products has been authorized by Hikvision Europe to advertise or sell those products. We warn potential customers against purchasing these "gray market" products from unauthorized distributors. Unauthorized distributors may be selling counterfeit, used, or damaged product. Much of the products sold by unauthorized distributors have been altered with modified firmware. Since this means that it is no longer in original factory condition, Hikvision warranty is void, per company policy.

We warn potential customers against purchasing from unauthorized distributors. Purchasing through authorized Hikvision Europe distributors ensures that you receive the benefits of technical support, project registration, dealer loyalty programs and advance replacement of any camera, recorder, monitor, video server, or software, in addition to Hikvision Europe full warranty. Additionally, products purchased through authorized distribution partners have additional features and capabilities that distinguish the Europe offering.

If you have any questions or concerns about the official status of your Hikvision distributor before your purchase, please contact Hikvision Europe Customer Service at support.eu@hikvision.com to confirm their authorized status.

Thank you for your continued support of our industry-leading video surveillance products.

ABOUT HIKVISION

It started with cutting-edge technology: high-definition IP cameras, digital video servers, hybrid and standalone DVRs, NVRs, speed domes, encoders and decoders. And momentum continues to develop new technologies for a safer future.

Strengthened by one of the largest R&D teams in the video surveillance industry, the innovation behind these products quickly made Hikvision the #1 CCTV and video surveillance equipment provider in the world (2017 IHS Report). A total solution provider, Hikvision manufactures a full suite of video surveillance products and solutions for a broad range of vertical markets, including retail, education, and many others. Whatever the scope or requirements of the application, Hikvision has a user-friendly, highly scalable product to meet those needs.

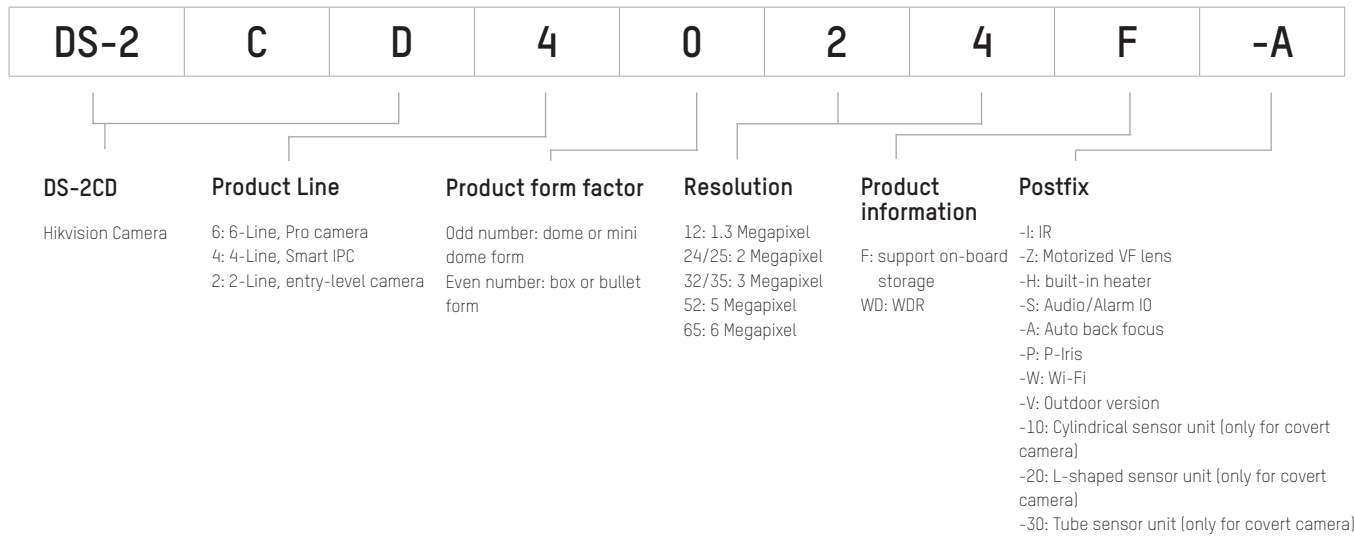


CONTENTS

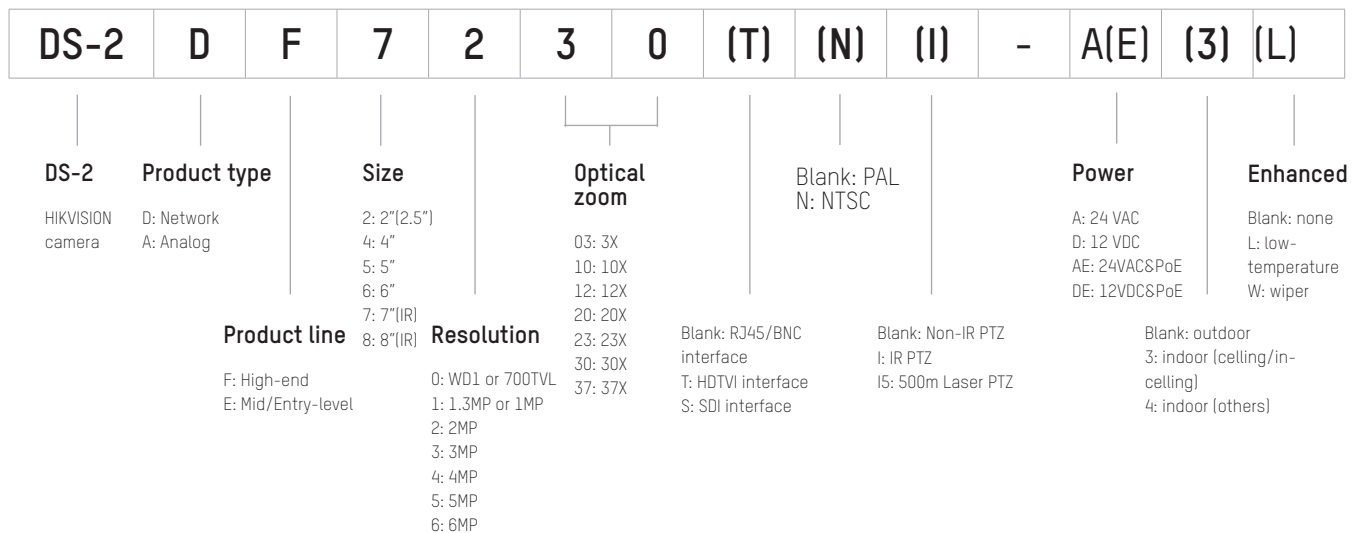
01 SECURITY THERMAL IMAGING & THERMOGRAPHY MIXED	17 - 21	07 TURBO HD PTZ CAMERAS	75 - 77	14 2 WIRES PRODUCTS	114
ECO	17	08 DVRS	78 - 85	15 4 WIRES KITS	115
Thermal bullet camera	18 - 20	Entry-level series	80	16 IP DOOR STATIONS	116 - 118
Thermal Network Bullet Camera	21	Economic series	81	PRO	116 - 117
		Professional series	82 - 84	ECO	118
		AcuSense series	85	17 IP INDOOR STATIONS	119 - 122
02 THERMOGRAPHY	22	09 CONTROLLER	86 - 87	ECO	119 - 120
03 COMMERCIAL VISION	23 - 24	10 TERMINALS	88 - 93	PRO	121 - 122
ECO	23	ENTRY	88 - 89		
Handheld Thermal & Optical Bi-spectrum Binocular	24	PRO	90 - 93	18 DISPLAYS	129-133
04 IP CAMERAS	25 - 48	11 READERS & KEYPADS	94 - 106	19 SWITCHES	134-136
Economic Series	27 - 35	PRO	94 - 100	20 ALARMS	137-147
Professional Series	36 - 45	ENTRY/PRO	101 - 103	21 ACCESSORIES	148-159
Entry-level Series	46	ENTRY	104 - 106		
AcuSense Series	47 - 48	12 MAGNETIC LOCKS & RELEASES	107 - 110		
05 NETWORK VIDEO RECORDERS	49 - 54	PRO	107 - 108		
Economic Series	50 - 51	PRO LOCKS	109		
06 TURBO HD CAMERAS	55 - 74	ECO	110		
Economic Series	59 - 63	13 EXIT BUTTONS & ANCILLARIES	111 - 113		
Professional Series	64 - 74	PRO	111 - 112		

MODEL NAME CODING RULE

Network Camera

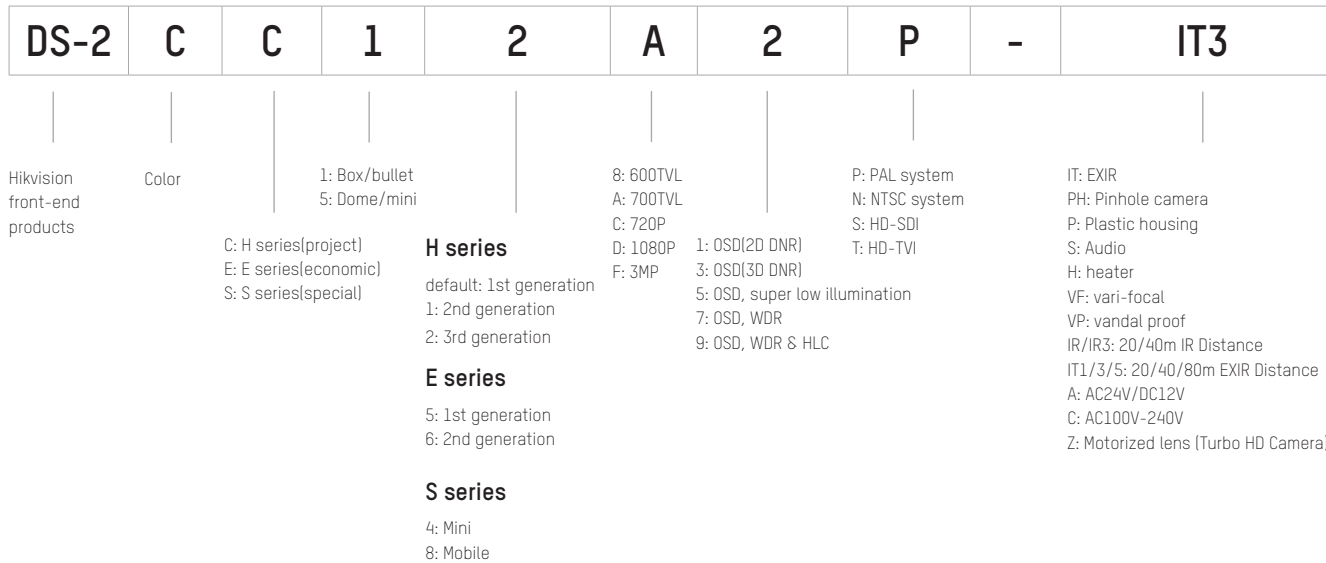


PTZ Dome Camera

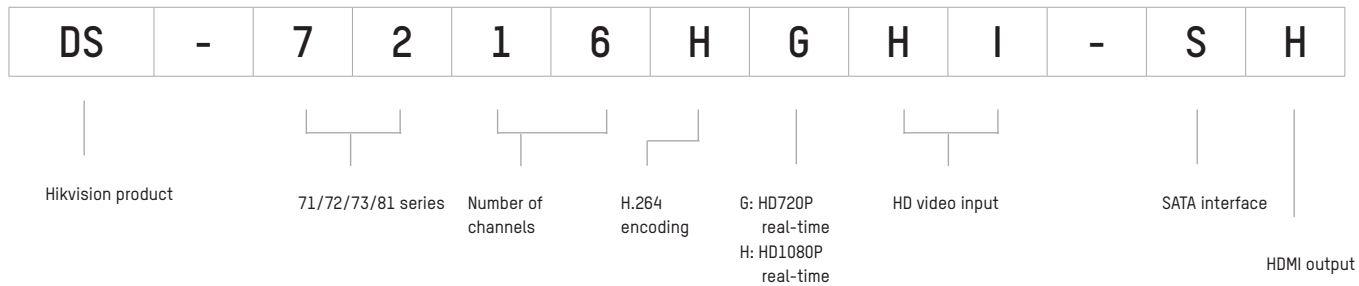


MODEL NAME CODING RULE

Analog Camera

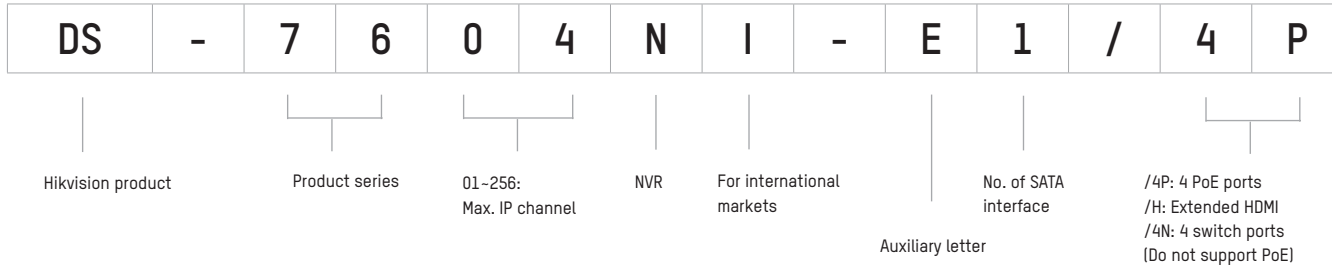


DVR

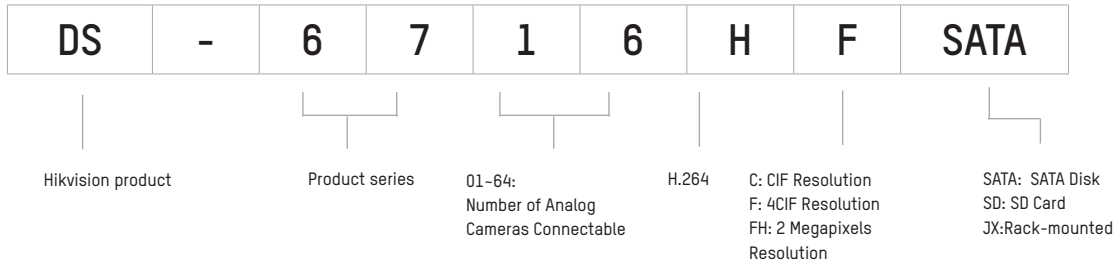


MODEL NAME CODING RULE

NVR



Video Encoder





ECOSYSTEM PARTNERSHIP PROGRAM FOR TECHNOLOGY INTEGRATION PARTNERS- BUILD SMART SOLUTIONS WITH HIKVISION

BUSINESS DEVELOPMENT SUPPORT

JOINT EVENT, MARKETING AND COMMUNICATION ACTIVITIES

CONNECTION OPPORTUNITIES AMONG HIKVISION NETWORK

HIKVISION SOLUTION WEBSITE LISTING & RECOMMENDATIONS



BUILDINGS



SAFE CITIES



TRAFFIC



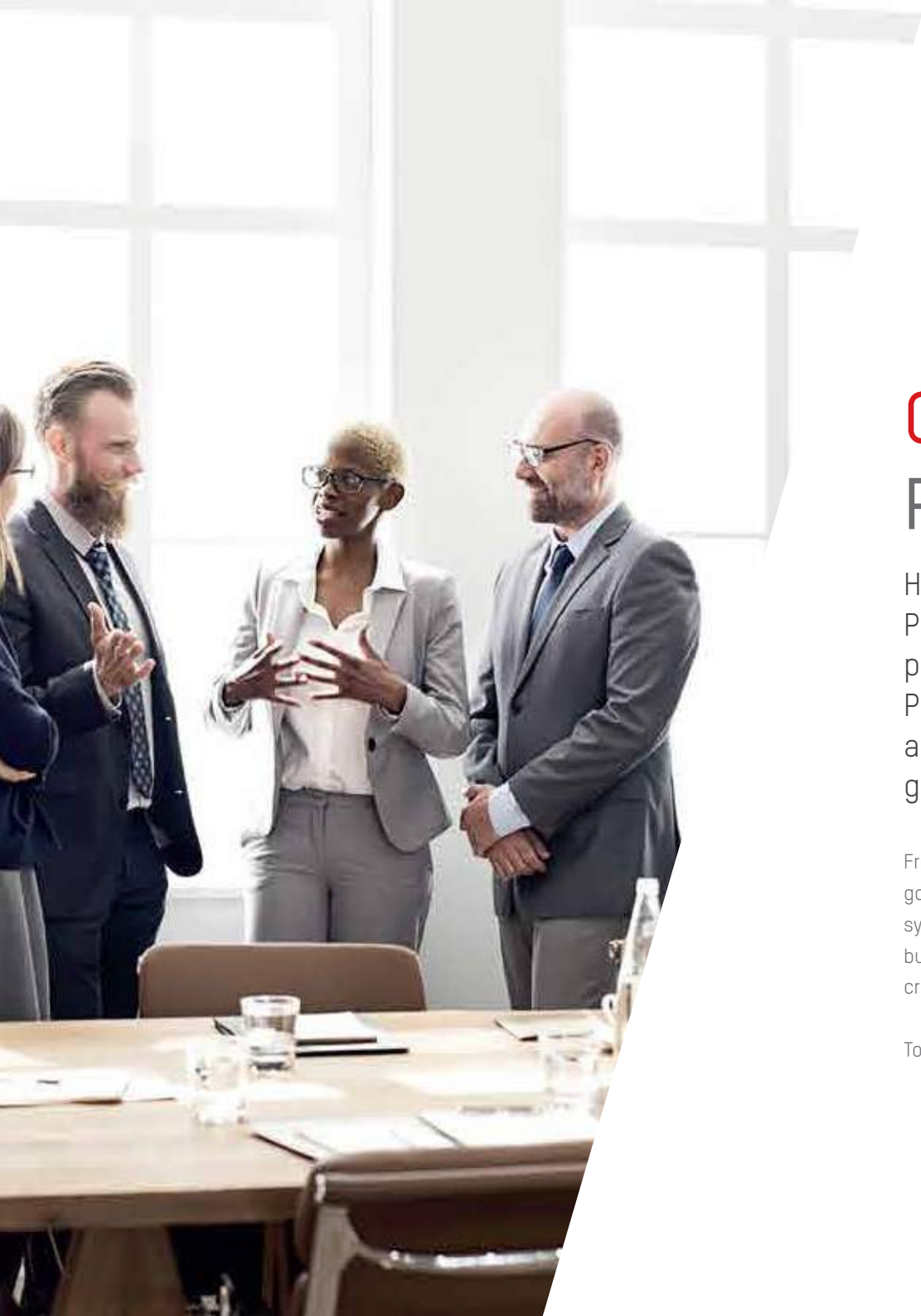
RETAIL



PERIMETER



POLICE
ENFORCEMENT



GREATER PARTNERSHIPS

Hikvision is pleased to introduce an exclusive, invitation-only Partner Program. We are committed to investing in our installer partners with a focus on capitalisation of project opportunities. Partner with Hikvision and leverage our unique market position as the leading video product manufacturer in the world, while gaining the benefits of an invitation-only program.

From inside sales to engineering support, from customer service to technical support, Hikvision goes the extra mile to provide customers with all of the elements they need for a first-class security system. Hikvision's Dealer Partner Program provides additional resources for dealers to help promote business success through knowledge and valuable tools. Hikvision is committed to protecting and creating business value for its customers.

To learn more about the program, please contact us at partners.eu@hikvision.com

VERTICAL MARKET FOCUS

For a complete overview of all verticals, please visit www.hikvision.com

TRANSPORTATION

Hikvision offers a wide assortment of solutions to meet the needs of transport hubs, roads, highways, and more. Effects of exhaust, sand, winter salt, snow, sleet and high winds are not an issue for Hikvision cameras, which are highly rated and made to resist severe outdoor conditions.

HEALTHCARE

Patient monitoring, emergency rooms, pharmacies, speciality departments, and restricted areas are all critical zones that require reliable security equipment. Just as we all depend on our physician to keep us well, we can depend on Hikvision's solutions to ensure the security of healthcare facilities.

EDUCATION

Protection of loved ones is one of Hikvision's highest priorities. Budget-minded school districts find Hikvision's product selection unmatched in the industry. High resolution cameras offer excellent image quality for a market-leading price. Image enhancements, such as wide dynamic range and high definition video, make our products well suited to capture remarkable detail in exterior and interior settings.



RETAIL

Shop and restaurant owners have peace of mind when using Hikvision's high performing products, which are aesthetically pleasing to boot. In each camera category are compact bullet, turret, dome and covert varieties, which provide discreet surveillance in attractive packaging. POS integration, heat mapping, and special counting cameras provide significant business management information. Data collected can then be managed through Hikvision's smart recording equipment.

GOVERNMENT

With strained budgets and changing priorities, safety remains an important issue for government facilities. Significant upgrades to existing analogue infrastructures are possible using our TurboHD™ line of HD-TVI solutions, which deliver HD analogue video without the high costs of networked systems.

SAFE CITIES

Hikvision is dedicated to helping solve public safety issues by providing surveillance systems that address emergency response, disaster management, and overall public safety. A key responsibility of any city is to ensure the safety of its citizens.



CRITICAL INFRASTRUCTURE

Hikvision's Smart Series and Speciality cameras offer performance and features that are ideal for critical security installations. Resolutions of 12 MP, 8 MP (4K), 6 MP and more deliver detailed video images. Darkfighter and Lightfighter solutions provide clear images in any lighting condition. Stainless-steel, high impact and weather-rated cameras withstand harsh environments. Built-in smart analytics provide pre- and post-event details. Data recording and storage products keep records safe and ready for forensic research. Every critical infrastructure setting has its own set of needs, and with Hikvision products, and these needs are all met.



DARKFIGHTER ULTRA LOW-LIGHT CAMERAS

Advanced smart features enable Hikvision's new IP Darkfighter cameras to provide exceptionally sharp images even in low-light conditions, whether during the day or at night. Combining outstanding performance and wide range with convenience and ease of use, these sophisticated cameras are taking video surveillance to an entirely new level - the ideal security choice for warehouses, retail outlets, airports, and other sensitive sites.



**ROUND-THE-CLOCK
VIVID COLOR IMAGES**

VIEW IN COLOR, EVEN IN DARKNESS

Enjoy vivid color images round-the-clock with ColorVu technology

Advanced Lenses

F1.0 Super-aperture collects more light to produce brighter images

High Performance Sensors

Advanced sensor technology can vastly improve the utilization of available light

Friendly Lighting

In zero-light scenarios, built-in, environmental-friendly, soft and warm supplemental lighting works to guarantee colorful images

ColorVu

DARKFIGHTER GIVES YOU ALL THE DETAILS

EVEN IN THE DARK



Footage registered by conventional surveillance cameras in low-light conditions is often of little value due to the diminished quality, detail and colours of images. Darkfighter cameras are equipped with 1/2" CMOS progressive scan sensors enabling them to obtain high quality images with good colour value in light levels as low as 0.002 lux, which the human eye perceives as total darkness. Darkfighter cameras are ideal for inconspicuous night time surveillance- their high sensitivity makes additional light sources unnecessary.

DARKFIGHTER IS SMART SURVEILLANCE

FOR SUPERIOR SECURITY IN ANY SITUATION



Sometimes image quality isn't enough, especially when it comes to special applications and security for high risk sites. Surveillance cameras often require sophisticated analytical capabilities to ensure they discriminate threats accurately and work reliably in any kind of situation. Features like Smart Defog, Smart Face Detection, Smart Audio Detection, Smart Intrusion Detection, Smart Line Crossing Detection and Smart Video Quality Diagnoses make Darkfighter cameras exceptionally intelligent and able to meet even the most challenging requirements.

DETAILED, HIGH-DEFINITION IMAGES

DARKFIGHTER DELIVERS 2 MP FULL HD RESOLUTION



No other camera can match Darkfighter's combination of advanced analytical capabilities, superior performance in challenging conditions and megapixel HD resolution (1920X1080 at 50fps). And that's not all. Darkfighter cameras also feature the Smart Dynamic Rol (Region of Interest) codec, which focuses encoding on a predefined area. Since they save the highest resolution images for the details that really matter, Darkfighter cameras are able to make the most out of two megapixels. Combined, these features make up a camera that has set a new benchmark for professional video surveillance technology.



DEEPER INTELLIGENCE. DEEPER SURVEILLANCE. HIKVISION'S DEEP LEARNING THE NEXT STEP IN SECURITY

Hikvision is looking to the future with the development of new technologies and capabilities, based on the Deep Learning technology that is sweeping through the video surveillance industry. Exciting new capabilities like recognising human behaviours and identifying car models are already possible with our new Hikvision products. And that's not all - Hikvision developers are constantly working to push the boundaries further!



Facial
Detection



False Alarm
Filter



People
Counting



Vehicle
Identification



Human Body
Recognition



HIKVISION THERMAL CAMERAS SEEING THE UNSEEN

All objects with a temperature above absolute zero emit thermal radiation, even at low levels. This kind of radiation, invisible to the human eye, can be detected by thermal imaging sensors. Thermal cameras can produce images in the visual spectrum by detecting temperature differences between an object and its surroundings. The larger the difference, the bigger the contrast variety, making details visible. Compared to visible-light cameras, thermal cameras can be used for applications in more challenging environments.

 smart 2.0

DEEP LEARNING BI-SPECTRUM TURRET CAMERA



THERMAL NETWORK BULLET CAMERA



BI-SPECTRUM BULLET CAMERA



Short Description

Deep learning bi-spectrum turret camera

Thermal Network Bullet Camera

Thermal Network Bullet Camera

Bi-Spectrum bullet camera

Model	DS-2TD1217-2/3/6/V1	DS-2TD2137-7/10/15/25/35/V1	DS-2TD2137-7/10/15/25/35/V1	DS-2TD2617-3/6/V1
Max. Resolution	160*120	384 × 288	384 × 288	160 × 120 (the resolution of output image is 320 × 240)
Pixel Interval	17 μm	17 μm	17 μm	17μm
Response waveband	8 μm to 14 μm	8 μm to 14 μm	8 μm to 14 μm	8μm to 14μm
NETD	less than 40 mk (@25°C, F#=1.1)	less than 35mk (@25°C, F#=1.0)	less than 35mk (@25°C, F#=1.0)	less than 40 mk (@25°C, F#=1.1)
Thermal Module Lens(Focal Length)	2mm	10 mm	10 mm	3.1 mm
MRAD	9.44mrad	1.70 mrad	1.70 mrad	5.48 mrad
Min.Focusing distance	0.1m	1 m	1 m	0.2 m
Aperture	F1.1	F 1.0	F 1.0	F1.1
Optical Module Lens(Focal Length)	2.1mm			
Bi-Spectrum image fusion	Fusion view of thermal view and overlaid details of the optical channel			
Picture in Picture	Combines details of thermal and optical image PIP, overlay thermal image on optical images			
VCA(Video content anylasis)	4 VCA rule types (Line Crossing, Intrusion, Region Entrance, and Region Exiting), up to 8VCA rules.	4 VCA rule types (Line Crossing, Intrusion, Region Entrance, and Region Exiting), up to 8 VCA rules.	4 VCA rule types (Line Crossing, Intrusion, Region Entrance, and Region Exiting), up to 8 VCA rules.	4 VCA rule types (Line Crossing, Intrusion, Region Entrance, and Region Exiting), up to 8 VCA rules.
Temperature Measurement	3 temperature measurement rule types, 21 rules (10 points, 10 areas, and 1 line).	3 temperature measurement rule types, 21 rules (10 points, 10 regions, and 1 line).	3 temperature measurement rule types, 21 rules (10 points, 10 regions, and 1 line).	3 temperature measurement rule types, 21 rules (10 points, 10 areas, and 1 line).
Temperature Range	-20 °C to +150 °C (-4 °F to +302°F)	-20 °C to 150 °C (-4 °F to 302 °F)	-20 °C to 150 °C (-4 °F to 302 °F)	-20 °C to +150 °C (-4 °F to +302°F)
Temperature accuracy	± 8 °C (± 14.4 °F)	±8 °C (14.4 °F)	±8 °C (14.4 °F)	± 8 °C (± 14.4 °F)
Fire Detection	Dynamic fire point detection, up to 10 fire points detectable.	Dynamic fire point detection, up to 10 fire points detectable.	Dynamic fire point detection, up to 10 fire points detectable.	Dynamic fire point detection, up to 10 fire points detectable.
Image Sensor	Vanadium Oxide Uncooled Focal Plane Arrays	Vanadium Oxide Uncooled Focal Plane Arrays	Vanadium Oxide Uncooled Focal Plane Arrays	Vanadium Oxide Uncooled Focal Plane Arrays
Field of View	(90.00° × 66.40°) (H × V)	36° × 27° (H × V)	36° × 27° (H × V)	50° × 37.2° (H × V)






SINGLE BULLET CAMERA



THERMAL NETWORK BULLET CAMERA



Short Description	Single bullet camera	Thermal Network Bullet Camera	Thermal Network Bullet Camera	Thermal Network Bullet Camera	Thermal Network Bullet Camera
Model	DS-2TD2117-3/6/V1	DS-2TD2136-7/10/15/25/35/V1	DS-2TD2136-7/10/15/25/35/VP	DS-2TD2136T-10/15/25	DS-2TD2166-7/15/25/35/V1
Max. Resolution	160*120	384 × 288	384 × 288	384 × 288	640 × 512
Pixel Interval	17 μm	17 μm	17 μm	17μm	17 μm
Response waveband	8 μm to 14 μm	8 μm to 14 μm	8 μm to 14 μm	8μm to 14μm	8 μm to 14 μm
NETD	less than 40 mk (25°C), F#=1.1	less than 40mk (@25°C,F#=1.0)	less than 40mk (@25°C,F#=1.0)	< 40mk (@25°C,F#=1.0)	less than 40mk (@25°C,F#=1.0)
Thermal Module Lens(Focal Length)	3mm	10 mm	10 mm	10 mm	15 mm
MRAD	5.48mrad	1.70 mrad	1.70 mrad	1.70 mrad	1.13 mrad
Min.Focusing distance	0.2m	1 m	1 m	1 m	2.5 m
Aperture	F1.1	F 1.0	F 1.0	F 1.0	F 1.0
Optical Module Lens(Focal Length)					
Bi-Spectrum image fusion					
Picture in Picture					
VCA(Video content anylasis)	4 VCA rule types (Line Crossing, Intrusion, Region Entrance, and Region Exiting), up to 8VCA rules.	4 VCA rule types (Line Crossing, Intrusion, Region Entrance, and Region Exiting), up to 8 VCA rules.		Support 4 VCA rule types (Line Crossing, Intrusion, Region Entrance, and Region Exiting), 8 VCA rules.	Support 4 VCA rule types (Line Crossing, Intrusion, Region Entrance, and Region Exiting), 8 VCA rules.
Temperature Measurement	3 temperature measurement rule types, 21 rules (10 points, 10 areas, and 1 line).	3 temperature measurement rule types, 21 rules (10 points, 10 regions, and 1 line).	3 temperature measurement rule types, 21 rules (10 points, 10 regions, and 1 line).	Support 3 temperature measurement rule types, 21 rules (10 points, 10 regions, and 1 line)	3 temperature measurement rule types, 21 rules (10 points, 10 regions, and 1 line).
Temperature Range	-20 °C to +150 °C (-4 °F to +302°F)	-20 °C to 150 °C (-4 °F to 302 °F)	-20 °C to 150 °C (-4 °F to 302 °F)	-20 °C to 550 °C (-4 °C to 1022 °F)	-20 °C to 150 °C (-4 °F to 302 °F)
Temperature accuracy	± 8 °C (± 14.4 °F)	±8 °C (14.4 °F)	±8 °C (14.4 °F)	Max (± 2 °C, ± 2%)	±8 °C (14.4 °F)
Fire Detection	Dynamic fire point detection, up to 10 fire points detectable.	Dynamic fire point detection, up to 10 fire points detectable.	Dynamic fire point detection, up to 10 fire points detectable.	Support 10 fire points	Dynamic fire point detection, up to 10 fire points detectable.
Image Sensor	Vanadium Oxide Uncooled Focal Plane Arrays	Vanadium Oxide Uncooled Focal Plane Arrays	Vanadium Oxide Uncooled Focal Plane Arrays	Vanadium Oxide Uncooled Focal Plane Arrays	Vanadium Oxide Uncooled Focal Plane Arrays
Field of View	(50.00° × 37.20°) (H × V)	37.20° × 28.33° (H × V)	37.20° × 28.33° (H × V)	36° × 27°	42.5° × 33.6° (H × V)

	THERMAL NETWORK BULLET CAMERA		BI-SPECTRUM BULLET CAMERA	THERMAL & OPTICAL NETWORK BULLET CAMERA	
					
Short Description	Thermal Network Bullet Camera	Thermal Network Bullet Camera	Bi-Spectrum bullet camera	Thermal & Optical Network Bullet Camera	Thermal & Optical Network Bullet Camera
Model	DS-2TD2166T-15/25	DS-2TD2366-50/75/100	DS-2TD2617-3/6/V1	DS-2TD2636-10/15	DS-2TD2836-25/50
Max. Resolution	640 × 512	640 × 512	160 × 120 (the resolution of output image is 320 × 240)	384 × 288	384 × 288
Pixel Interval	17 μm	17 μm	17μm	17μm	17 μm
Response waveband	8 μm to 14 μm	8 μm to 14 μm	8μm to 14μm	8μm to 14μm	8 μm to 14 μm
NETD	less than 40mk (@25°C,F#=1.0)	less than 40mk (@25°C,F#=1.0)	less than 40 mk (@25°C,F#=1.1)	less than 40 mk (@25°C,F#=1.0)	less than 40 mk (@25°C,F#=1.0)
Thermal Module Lens(Focal Length)	15 mm	100 mm	3.1 mm	10 mm	25 mm
MRAD	1.13 mrad	0.17 mrad	5.48 mrad	1.70 mrad	0.68 mrad
Min.Focusing distance	2.5 m	10 m	0.2 m	1.0 m	13 m
Aperture	F 1.0	F 1.0	F1.1	F1.0	F 1.0
Optical Module Lens(Focal Length)				6 mm	13 mm
Bi-Spectrum image fusion				Fusion view of thermal view and overlaid details of the optical channel	Fusion view of thermal view and overlaid details of the optical channel
Picture in Picture				Combins details of thermal and optical image PIP, overlay thermal image on optical image	Combins details of thermal and optical image PIP, overlay thermal image on optical image
VCA(Video content anylasis)	Support 4 VCA rule types (Line Crossing, Intrusion, Region Entrance, and Region Exiting), 8 VCA rules.	Support 4 VCA rule types (Line Crossing, Intrusion, Region Entrance, and Region Exiting), 8 VCA rules.	4 VCA rule types (Line Crossing, Intrusion, Region Entrance, and Region Exiting), up to 8 VCA rules.	4 VCA rule types (Line Crossing, Intrusion, Region Entrance, and Region Exiting), up to 8 VCA rules.	4 VCA rule types (Line Crossing, Intrusion, Region Entrance, and Region Exiting), up to 8 VCA rules.
Temperature Measurement	3 temperature measurement rule types, 21 rules (10 points, 10 regions, and 1 line).	3 temperature measurement rule types, 21 rules (10 points, 10 regions, and 1 line).	3 temperature measurement rule types, 21 rules (10 points, 10 areas, and 1 line).	3 temperature measurement rule types, 21 rules (10 points, 10 regions, and 1 line).	3 temperature measurement rule types, 21 rules (10 points, 10 regions, and 1 line).
Temperature Range	-20 °C to 550 °C (-4 °F to 1022 °F)	-20 °C to 150 °C (-4 °C to 302 °F)	-20 °C to +150 °C (-4 °F to +302°F)	-20 °C to +150 °C (-4 °F to +302°F)	-20°C to +150°C (-4°F to +302°F)
Temperature accuracy	Max (± 2 °C, ± 2%)	± 8 °C (14.4 °F)	± 8 °C (± 14.4 °F)	± 8 °C (± 14.4 °F)	±8l (±14.4°F)
Fire Detection	Dynamic fire point detection, up to 10 fire points detectable.	Dynamic fire point detection, up to 10 fire points detectable.	Dynamic fire point detection, up to 10 fire points detectable.	Dynamic fire point detection, up to 10 fire points detectable.	Dynamic fire point detection, up to 10 fire points detectable.
Image Sensor	Vanadium Oxide Uncooled Focal Plane Arrays	Vanadium Oxide Uncooled Focal Plane Arrays	Vanadium Oxide Uncooled Focal Plane Arrays	Vanadium Oxide Uncooled Focal Plane Arrays	Vanadium Oxide Uncooled Focal Plane Arrays
Field of View	42.5° × 33.6° (H × V)	6.23° × 4.98° (H × V)	50° × 37.2° (H × V)	37.7° × 28.7° (H × V)	14.88° × 11.19° (H × V)



Short Description **Thermal & Optical Network Bullet Camera**

Model	DS-2TD2866-25/50
Max. Resolution	640 × 512
Pixel Interval	17 μm
Response waveband	8 μm to 14 μm
NETD	less than 40 mk (@25°C,F#=1.0)
Thermal Module Lens(Focal Length)	25 mm
MRAD	0.68 mrad
Min.Focusing distance	13 m
Aperture	F 1.0
Optical Module Lens(Focal Length)	7 mm
Bi-Spectrum image fusion	Fusion view of thermal view and overlaid details of the optical channel
Picture in Picture	Combines details of thermal and optical image PIP, overlay thermal image on optical image
VCA(Video content anylasis)	4 VCA rule types (Line Crossing, Intrusion, Region Entrance, and Region Exiting), up to 8 VCA rules.
Temperature Measurement	3 temperature measurement rule types, 21 rules (10 points, 10 regions, and 1 line).
Temperature Range	-20°C to +150°C (-4°F to +302°F)
Temperature accuracy	±8l (±14.4°F)
Fire Detection	Dynamic fire point detection, up to 10 fire points detectable.
Image Sensor	Vanadium Oxide Uncooled Focal Plane Arrays
Field of View	24.55° × 19.75° (H × V)

THERMAL NETWORK BULLET CAMERA



NEW

Short Description	Thermal Network Bullet Camera
Model	DS-2TD2137-7/10/15/25/35/V1
Max. Resolution	384 × 288
Pixel Interval	17 μm
Response waveband	8 μm to 14 μm
NETD	less than 35mk (@25°C,F#=1.0)
Thermal Module Lens(Focal Length)	10 mm
MRAD	1.70 mrad
Min.Focusing distance	1 m
Aperture	F 1.0
Optical Module Lens(Focal Length)	
Bi-Spectrum image fusion	
Picture in Picture	
VCA(Video content analysis)	4 VCA rule types (Line Crossing, Intrusion, Region Entrance, and Region Exiting), up to 8 VCA rules.
Temperature Measurement	3 temperature measurement rule types, 21 rules (10 points, 10 regions, and 1 line).
Temperature Range	-20 °C to 150 °C (-4 °F to 302 °F)
Temperature accuracy	±8 °C (14.4 °F)
Fire Detection	Dynamic fire point detection, up to 10 fire points detectable.
Image Sensor	Vanadium Oxide Uncooled Focal Plane Arrays
Field of View	36° × 27° (H × V)

HANDHELD THERMOMETRIC THERMAL CAMERA



NEW

Short Description	Handheld Thermography Camera
Model	DS-2TP23-10VM/W
Image Sensor	Uncooled Focal Plane Arrays
Thermal Module Max. Resolution	25Hz: 384 × 288
Pixel Interval	17μm
Response waveband	8μm to 14μm
NETD	< 40mk (@ 25 °C, F#=1.0)
Lens(Focal Length)	10 mm (Manual focus)
Field of View	37.5° × 28.5°
Aperture	F 1.0
Optical Module Max. Resolution	1920 × 1080
Picture Resolution	Display: 384*288; Capture: 1920 × 1080
Video Resolution	Display: 384*288; Record:1920 × 1080
Monitor	640 × 480 resolution 3.5" LCD touch display
Palettes	Black hot, White hot, Red hot, Rainbow, Ironbow, Fusion, Rain
Digital Zoom	Thermal: 1×, 2×, 4×
Thermal / Optical	Thermal/Optical/Fusion image/Picture in picture
Picture in Picture	Support Thermal View in Optical View
Fusion	Support (Thermal View and Optical View Combined)
Record Video	Support on-board video recording
Thermometry Range	-20 °C to 550 °C (-4 °F to 1022 °F)
Thermometry Accuracy	Max (±2 °C, ±2%)
Rules	Max. Temperature; Min. Temperature; Center Temperature; Custom Point/Line/Area Thermometry
Battery Operating Time	Four hours continuous running
Laser Light	Support (Point to the thermography target)
Storage	Built-in memory module (64G)
Photo	Thermal/Optical/Fusion image

HANDHELD OBSERVATIONAL THERMAL MONOCULAR



NEW

HANDHELD THERMAL & OPTICAL BI-SPECTRUM BINOCULAR



NEW

Short Description

Handheld Observational Thermal Monocular

Handheld Thermal & Optical Bi-spectrum Binocular

Model	DS-2TS03-15/25/35/UF/W	DS-2TS16-35/50VI/W
Thermal Module Image Sensor	Uncooled Focal Plane Arrays	Uncooled Focal Plane Arrays
Pixel Interval		17μm
Response waveband	8μm to 14μm	8μm to 14μm
NETD	< 40mk (@25°C,F#=1.0)	< 40mk (@25°C,F#=1.0)
Lens(Focal Length)	15mm	35mm
MRAD	1,13	0,486
Field of View	24.55° × 18.54°	17.7° × 14.2°
Aperture	1.0J:JH:IH:HH:I	F 1.0
Digital zoom		4×
Optical Module Image Sensor		1/3" Progressive Scan CMOS
Min. Illumination		B/W : 0.001 lux @ (F1.0 , AGC 0n)
Monitor	0.39-inch, OLED, 1024 × 768	0.39-inch, OLED, 1024 × 768
Palettes	Black hot White hot Red hot	Thermal view, B/W optical view, image fusion view are selectable
Hot track		Yes
Object Highlight		Yes
Cursor Display		A cursor shows in the view for roughly measuring distance from the target.
WIFI	Support	
Storage	Built-in memory module (16GB)	Built-in memory module (32GB)
Digital Zoom	2×	
Capture Snapshot	Support	On-board image capturing
Record Video	Support on-board video / image recording	On-board video recording
GPS	Support	Support
Battery Operating Time	Up to five hours continuous running (with GPS function and Wi-Fi hot spot function off)	≥7h
Power	5V DC/2A, 2W	5V DC/2A
Thermal Module Max. Resolution	384 × 288	640 × 512@25fps

EasyIP 4.0

JUST THE RIGHT INTELLIGENCE IN JUST THE RIGHT PLACES EasyIP 4.0 SOLUTION

Video surveillance does not have to be complex. Technological advancements in every corner of our lives is becoming more and more simplified and user-friendly. And it's true in security, too.

What makes the best security system? The right components in the right places. And for the small to medium sized businesses with budget and time restrictions, Hikvision has got the right solution. The EasyIP 4.0 Solution.

For those who know the earlier EasyIP versions, this is the go-to, out-of-the-box system. With new and intelligent features, the EasyIP 4.0 Solution gets more done – and does it smarter.



IP CAMERAS

Hikvision has a wide range of IP cameras that bring intelligence, efficiency and varied specifications to a wide range of vertical applications.

Cutting-edge features, like DarkFighter technology and Hikvision's unique H.265+ compression codec provide outstanding image quality, even in challenging lighting environments. Camera form factors vary from box cameras, indoor and outdoor domes and bullets – right up to anti-corrosion, panoramic and people counting cameras.

The cameras are split into four areas: the Solution Series, aimed at equipping customers for a full solution; the Project Series, which provides high-quality, scalable cameras for even the most challenging project; the Economic Series, for those with limited budgets and the ANPR Series for traffic solutions.

VARI-FOCAL BULLET CAMERA



NEW

Short Description	2 MP EXIR VF Bullet Network Camera	4 MP EXIR VF Bullet Network Camera	2 MP IR VF Bullet Network Camera	4 MP IR VF Bullet Network Camera	6 MP IR VF Bullet Network Camera
Model	DS-2CD1623G0-IZ	DS-2CD1643G0-IZ	DS-2CD2623G0-IZS	DS-2CD2643G0-IZS	DS-2CD2663G0-IZS
Image Sensor	1/2.8" Progressive Scan CMOS	1/3" Progressive Scan CMOS	1/2.8" Progressive Scan CMOS	1/3" Progressive Scan CMOS	1/2.9" Progressive Scan CMOS
Min. Illumination(Color)	Color: 0.01 Lux @(F1.2, AGC ON), 0.018 Lux @(F1.6, AGC ON)	Color: 0.01 Lux @(F1.2, AGC ON), 0.018 Lux @(F1.6, AGC ON)	Color: 0.01 Lux @(F1.2, AGC ON), 0.018 Lux @(F1.6, AGC ON), 0 Lux with IR	Color: 0.01 Lux @(F1.2, AGC ON), 0.018 Lux @(F1.6, AGC ON), 0 Lux with IR	Color: 0.01 Lux @(F1.2, AGC ON), 0.018 Lux @(F1.6, AGC ON), 0 Lux with IR
Lens option	2.8-12 mm	2.8-12 mm	Horizontal FOV: 110° to 31°, vertical FOV: 58° to 18°, diagonal FOV: 136° to 36°	2.8-12mm	2.8-12mm
Horizontal Angle of View	98° to 34°	Horizontal field of view: 98° to 28° Vertical field of view: 51° to 16° Diagonal field of view: 115° to 32°	Horizontal FOV: 110° to 31°, vertical FOV: 58° to 18°, diagonal FOV: 136° to 36°	Horizontal FOV: 98° to 28°, vertical FOV: 51° to 16°, diagonal FOV: 115° to 32°	Horizontal FOV: 88° to 27°
Video Compression	Main stream: H.265/H.264 Sub stream: H.265/H.264/MJPEG	Main stream: H.265/H.264 Sub stream: H.265/H.264/MJPEG	Main stream: H.265/H.264, Sub-stream: H.265/H.264/MJPEG, Third stream: H.265/H.264	Main stream: H.265/H.264, Sub-stream: H.265/H.264/MJPEG, Third stream: H.265/H.264	Main stream: H.265/H.264, Sub-stream: H.265/H.264/MJPEG, Third stream: H.265/H.264
Max. Image Resolution	1920 × 1080	2560 × 1440	1920 × 1080	2560 × 1440	3072 × 2048
WDR	Digital WDR	120dB	120dB	120dB	120dB
Operations Conditions	Temperature: -30 °C to 60 °C (-22 °F to 140 °F), humidity: 95% or less (non-condensing)	Temperature: -30 °C to 60 °C (-22 °F to 140 °F), humidity: 95% or less (non-condensing)	Temperature: -30 °C to +60 °C (-22 °F to +140 °F), Humidity 95% or less (non-condensing)	Temperature: -30 °C to +60 °C (-22 °F to +140 °F), Humidity 95% or less (non-condensing)	Temperature: -30 °C to +60 °C (-22 °F to +140 °F), Humidity 95% or less (non-condensing)
Power Supply	12 VDC ± 20%, 5.5 mm coaxial power plug PoE (802.3af, class 3)	12 VDC ± 20%, 5.5 mm coaxial power plug PoE (802.3af, class 3)	12 VDC ± 25%, terminal block, PoE (802.3at, class 4)	12 VDC ± 25%, terminal block, PoE (802.3at, class 4)	12 VDC ± 25%, terminal block, PoE (802.3at, class 4)
Consumption	12 VDC, 0.9 A, max. 11 W; PoE: (802.3af, 36 V to 57 V), 0.4 A to 0.2 A, max. 12.9 W	12 VDC, 0.9 A, max. 11 W; PoE: (802.3af, 36 V to 57 V), 0.4 A to 0.2 A, max. 12.9 W	12 VDC, 1.2A, max. 14.5W; PoE (802.3at, 42.5V to 57V), 0.43A to 0.3A, max. 18W	12 VDC, 1.2A, max. 14.5W; PoE (802.3at, 42.5V to 57V), 0.43A to 0.3A, max. 18W	12 VDC, 1.2A, max. 14.5W; PoE (802.3at, 42.5V to 57V), 0.43A to 0.3A, max. 18W
IR Range	Up to 30 m	Up to 30 m	Up to 50 m	Up to 50 m	Up to 50 m
Weatherproof	IP67	IP67	IP67	IP67	IP67
Protection level	-	-	IK10	IK10	IK10
Audio Input/Output	-	-	-	-	-
Alarm Input/Output	-	-	-	-	-

FIXED BULLET CAMERA



Short Description	8 MP IR VF Bullet Network Camera	2 MP IR Network Bullet Camera	4 MP IR Network Bullet Camera	2 MP IR Fixed Bullet Network Camera	4 MP IR Fixed Bullet Network Camera
Model	DS-2CD268360-IZS	DS-2CD102360-I	DS-2CD104360-I	DS-2CD2T2360-I5/I8	DS-2CD2T4360-I5/I8
Image Sensor	1/2.5" Progressive Scan CMOS	1/2.8" progressive scan CMOS	1/3" progressive scan CMOS	1/2.8" Progressive Scan CMOS	1/3" Progressive Scan CMOS
Min. Illumination(Color)	Color: 0.01 Lux @ (F1.2, AGC ON), 0.018 Lux @ (F1.6, AGC ON), 0 Lux with IR	Color: 0.01 Lux @ (F1.2, AGC ON), 0.028 Lux @ (F2.0, AGC ON)	Color: 0.01 Lux @ (F1.2, AGC ON), 0.028 Lux @ (F2.0, AGC ON)	Color: 0.01 Lux @ (F1.2, AGC ON), 0.028 Lux @ (F2.0, AGC ON), 0 Lux with IR	Color: 0.01 Lux @ (F1.2, AGC ON), 0.018 Lux @ (F1.6, AGC ON), 0 Lux with IR
Lens option	2.8-12mm	2.8mm	2.8mm	2.8mm	2.8/4/6/8 mm
Horizontal Angle of View	Horizontal FOV: 105° to 34.5°	Horizontal FOV 103°, vertical FOV 59°, diagonal FOV 118°	Horizontal FOV 100°, vertical FOV 55°, diagonal FOV 117°	Horizontal FOV: 114°, vertical FOV: 62°, diagonal FOV: 135°	2.8 mm, horizontal FOV: 103°, vertical FOV: 58°, diagonal FOV: 123° 4 mm, horizontal FOV: 83°, vertical FOV: 45°, diagonal FOV: 99° 6 mm, horizontal FOV: 51°, vertical FOV: 29°, diagonal FOV: 58° 8 mm, horizontal FOV: 39°, vertical FOV: 22°, diagonal FOV: 45°
Video Compression	Main stream: H.265/H.264,Sub-stream: H.265/H.264/MJPEG,Third stream: H.265/H.264	Main stream: H.265/H.264Sub stream: H.265/H.264/MJPEG	Main stream: H.265/H.264Sub stream: H.265/H.264/MJPEG	Main stream: H.265/H.264,Sub-stream: H.265/H.264/MJPEG,Third stream: H.265/H.264	Main stream: H.265/H.264 Sub-stream: H.265/H.264/MJPEG Third stream: H.265/H.264
Max. Image Resolution	3840 × 2160	1920 × 1080	2560 × 1440	1920 × 1080	2688 × 1520
WDR	120dB	Digital WDR	Digital WDR	120dB	120dB
Operations Conditions	Temperature:-30 °C to +60 °C (-22 °F to +140 °F), Humidity 95% or less (non-condensing)	Temperature:-30 °C to 50 °C (-22 °F to 122 °F), Humidity: 95% or less (non-condensing)	Temperature:-30 °C to 50 °C (-22 °F to 122 °F), Humidity: 95% or less (non-condensing)	Temperature:-30 °C to +60 °C (-22 °F to +140 °F), Humidity 95% or less (non-condensing)	-30 °C to +60 °C (-22 °F to +140 °F), Humidity 95% or less (non-condensing)
Power Supply	12 VDC ± 25%, terminal block,PoE (802.3af, class 4)	12 VDC ± 25%, 5.5 mm coaxial power plugPoE (802.3af, class 3)	12 VDC ± 25%, 5.5 mm coaxial power plugPoE (802.3af, class 3)	12 VDC ± 25%, Φ 5.5 mm coaxial power plug,PoE (802.3af, class 3)	12 VDC ± 25%, Φ 5.5 mm coaxial power plug PoE (802.3af, class 3)
Consumption	12 VDC, 1.2A, max. 14.5W;PoE (802.3af, 42.5V to 57V), 0.43A to 0.3A, max. 18W	12 VDC, 0.4 A, Max: 5 WPoE: (802.3af, 36 V to 57 V), 0.2 A to 0.13 A, Max: 7 W	12 VDC, 0.4 A, Max: 5 WPoE: (802.3af, 36 V to 57 V), 0.2 A to 0.13 A, Max: 7 W	12 VDC, 0.6A, max. 7.5W,PoE (802.3af, 37V to 57V), 0.2A to 0.1A, max. 9.5W	-I5: 12 VDC, 0.6A, max. 7.5W PoE (802.3af, 37V to 57V), 0.2A to 0.1A, max. 9.5W -I8: 12 VDC, 0.95A, max. 11.5W PoE (802.3af, 37V to 57V), 0.35A to 0.1A, max. 12.5W
IR Range	Up to 50 m	Up to 30 m	Up to 30 m	Up to 50 m	-I5: Up to 50 m -I8: Up to 80 m
Weatherproof	IP67	IP67	IP67	IP67	IP67
Protection level	IK10	-	-	-	-
Audio Input/Output	-	-	-	-	-
Alarm Input/Output	-	-	-	-	-

VARI-FOCAL DOME CAMERA



Short Description	6 MP IR Fixed Bullet Network Camera	2 MP VF Network Dome Camera	4 MP VF Network Dome Camera	2 MP IR VF Dome Network Camera	4 MP IR VF Dome Network Camera
Model	DS-2CD2T6360-15/18	DS-2CD172360-1Z	DS-2CD174360-1Z	DS-2CD272360-1ZS	DS-2CD274360-1ZS
Image Sensor	1/2.9" Progressive Scan CMOS	1/2.8" progressive scan CMOS	1/3" progressive scan CMOS	1/2.8" Progressive Scan CMOS	1/3" Progressive Scan CMOS
Min. Illumination(Color)	Color: 0.01 lux @(F1.2, AGC ON), 0.028 lux @(F2.0, AGC ON), 0 lux with IR	Color: 0.01 Lux @(F1.2, AGC ON), 0.018Lux @(F1.6, AGC ON)	Color: 0.01 Lux @(F1.2, AGC ON), 0.018 Lux @(F1.6, AGC ON)	Color: 0.01 Lux @(F1.2, AGC ON), 0.018 Lux @(F1.6, AGC ON), 0 Lux with IR	Color: 0.01 Lux @(F1.2, AGC ON), 0.018 Lux @(F1.6, AGC ON), 0 Lux with IR
Lens option	2.8/4/6/8 mm	2.8-12 mm	2.8-12 mm	2.8 to 12 mm	2.8-12mm
Horizontal Angle of View	2.8 mm, horizontal FOV: 97°, vertical FOV: 63°, diagonal FOV: 120° 4 mm, horizontal FOV: 78°, vertical FOV: 50°, diagonal FOV: 97° 6 mm, horizontal FOV: 60°, vertical FOV: 39°, diagonal FOV: 75° 8 mm, horizontal FOV: 39.5°, vertical FOV: 26°, diagonal FOV: 48°	98° to 34°	98° to 28°	Horizontal FOV: 110° to 31°, vertical FOV: 58° to 18°, diagonal FOV: 136° to 36°	Horizontal FOV: 98° to 28°, vertical FOV: 51° to 16°, diagonal FOV: 115° to 32°
Video Compression	Main stream: H.265/H.264, Sub-stream: H.265/H.264/MJPEG, Third stream: H.265/H.264	Main stream: H.265/H.264 Sub stream: H.265/H.264/MJPEG	Main stream: H.265/H.264 Sub stream: H.265/H.264/MJPEG	Main stream: H.265/H.264, Sub-stream: H.265/H.264/MJPEG, Third stream: H.265/H.264	Main stream: H.265/H.264, Sub-stream: H.265/H.264/MJPEG, Third stream: H.265/H.264
Max. Image Resolution	3072 × 2048	1920 × 1080	2560 × 1440	1920 × 1080	2560 × 1440
WDR	120dB	Digital WDR	120dB	120dB	120dB
Operations Conditions	-30 °C to +60 °C [-22 °F to +140 °F], Humidity 95% or less [non-condensing]	Temperature: -30 °C to 50 °C [-22 °F to 122 °F], Humidity: 95% or less [non-condensing]	Temperature: -30 °C to 50 °C [-22 °F to 122 °F], Humidity: 95% or less [non-condensing]	Temperature: -30 °C to +60 °C [-22 °F to +140 °F], Humidity 95% or less [non-condensing]	Temperature: -30 °C to +60 °C [-22 °F to +140 °F], Humidity 95% or less [non-condensing]
Power Supply	12 VDC ± 25%, Φ 5.5 mm coaxial power plug, PoE (802.3af, class 3)	12 VDC ± 20%, 5.5 mm coaxial power plug PoE (802.3af, class 3)	12 VDC ± 20%, 5.5 mm coaxial power plug PoE (802.3af, class 3)	12 VDC ± 25%, terminal block; PoE (802.3af, class 3)	12 VDC ± 25%, terminal block, PoE (802.3af, class 3)
Consumption	I5: 12 VDC, 0.6 A, max. 7W PoE: (802.3af, 36V to 57V), 0.3 A to 0.2 A, max. 8.5W I8: 12 VDC, 0.9 A, max. 10W PoE: (802.3af, 36V to 57V), 0.4 A to 0.2 A, max. 12W	12 VDC, 0.8 A, Max: 10 W; PoE: (802.3af, 36 V to 57 V), 0.35 A to 0.2 A, Max: 12 W	12 VDC, 0.8 A, Max: 10 W; PoE: (802.3af, 36 V to 57 V), 0.35 A to 0.2 A, Max: 12 W	12 VDC, 0.8A, max. 10W; PoE (802.3af, 37V to 57V), 0.35A to 0.2A, max. 12W	12 VDC, 0.8A, max. 10W; PoE (802.3af, 37V to 57V), 0.35A to 0.2A, max. 12W
IR Range	I5: up to 50 m I8: up to 80 m	Up to 30 m	Up to 30 m	Up to 30 m	Up to 30 m
Weatherproof	IP67	IP67	IP67	IP67	IP67
Protection level	-	IK10	IK10	IK10	IK10
Audio Input/Output	-	-	-	-	-
Alarm Input/Output	-	-	-	-	-



FIXED DOME CAMERA



NEW

Short Description	6 MP IR VF Dome Network Camera	2 MP IR Network Dome Camera	4 MP IR Network Dome Camera	2 MP IR Fixed Dome Network Camera	2 MP IR Fixed Dome Network Camera
Model	DS-2CD278360-IZS	DS-2CD112360-I	DS-2CD114360-I	DS-2CD212360-I	DS-2CD212360-I(S)
Image Sensor	1/2.5" Progressive Scan CMOS	1/2.8" progressive scan CMOS	1/3" progressive scan CMOS	1/2.8" Progressive Scan CMOS	1/2.8" Progressive Scan CMOS
Min. Illumination(Color)	Color: 0.01 Lux @ (F1.2, AGC ON), 0.018 Lux @ (F1.6, AGC ON), 0 Lux with IR	Color: 0.01 Lux @ (F1.2, AGC ON), 0.028 Lux @ (F2.0, AGC ON)	Color: 0.01 Lux @ (F1.2, AGC ON), 0.028 Lux @ (F2.0, AGC ON)	Color: 0.01 Lux @ (F1.2, AGC ON), 0.028 Lux @ (F2.0, AGC ON), 0 Lux with IR	Color: 0.01 Lux @ (F1.2, AGC ON), 0.028 Lux @ (F2.0, AGC ON), 0 Lux with IR
Lens option	2.8-12mm	2.8mm	2.8mm	2.8mm	4 mm
Horizontal Angle of View	Horizontal field of view: 105° to 34.5° Vertical field of view: 55° to 19° Diagonal field of view: 125° to 40°	Horizontal FOV 114°, vertical FOV 62°, diagonal FOV 135°	Horizontal FOV 100°, vertical FOV 55°, diagonal FOV 117°	2.8 mm: Horizontal FOV: 114°, vertical FOV: 62°, diagonal FOV: 135°	4 mm, horizontal FOV: 86°, vertical FOV: 46°, diagonal FOV: 102°
Video Compression	Main stream: H.265/H.264, Sub-stream: H.265/H.264/MJPEG, Third stream: H.265/H.264	Main stream: H.265/H.264 Sub stream: H.265/H.264/MJPEG	Main stream: H.265/H.264 Sub stream: H.265/H.264/MJPEG	Main stream: H.265/H.264, Sub-stream: H.265/H.264/MJPEG, Third stream: H.265/H.264	Main stream: H.265/H.264 Sub-stream: H.265/H.264/MJPEG Third stream: H.265/H.264
Max. Image Resolution	3840 × 2160	1920 × 1080	2560 × 1440	1920 × 1080	1920 × 1080
WDR	120dB	Digital WDR	Digital WDR	120dB	120dB
Operations Conditions	Temperature: -30 °C to +60 °C [-22 °F to +140 °F], Humidity 95% or less (non-condensing)	Temperature: -30 °C to 50 °C [-22 °F to 122 °F], Humidity: 95% or less (non-condensing)	Temperature: -30 °C to 50 °C [-22 °F to 122 °F], Humidity: 95% or less (non-condensing)	Temperature: -30 °C to +60 °C [-22 °F to +140 °F], Humidity 95% or less (non-condensing)	-30 °C to +60 °C [-22 °F to +140 °F], Humidity 95% or less (non-condensing)
Power Supply	12 VDC ± 25%, Φ 5.5 mm coaxial power plug	12 VDC ± 25%, 5.5 mm coaxial power plug PoE (802.3af, class 3)	12 VDC ± 25%, 5.5 mm coaxial power plug PoE (802.3af, class 3)	12 VDC ± 25%, Φ 5.5 mm coaxial power plug, PoE (802.3af, class 3)	12 VDC ± 25%, Φ 5.5 mm coaxial power plug PoE (802.3af, class 3)
Consumption	12 VDC, 0.8A, max. 10W	12 VDC, 0.4 A, Max: 5 W PoE: (802.3af, 36 V to 57 V), 0.2 A to 0.13 A, Max: 7 W	12 VDC, 0.4 A, Max: 5 W PoE: (802.3af, 36 V to 57 V), 0.2 A to 0.13 A, Max: 7 W	12 VDC, 0.5A, max. 6W, PoE (802.3af, 37V to 57V), 0.2A to 0.1A, max. 7.5W	12 VDC, 0.5A, max. 6W PoE (802.3af, 37V to 57V), 0.2A to 0.1A, max. 7.5W
IR Range	Up to 30 m	Up to 30 m	Up to 30 m	Up to 30 m	Up to 30 m
Weatherproof	IP67	IP67	IP67	IP67	IP67
Protection level	IK10	IK10	IK10	IK10	IK10
Audio Input/Output	-	-	-	-	1/1
Alarm Input/Output	-	-	-	-	1/1



NEW



NEW



Short Description	4 MP IR Fixed Dome Network Camera	4 MP IR Fixed Dome Network Camera	4 MP IR Fixed Dome Network Camera	6 MP IR Fixed Dome Network Camera	8 MP IR Fixed Dome Network Camera
Model	DS-2CD214360-I	DS-2CD214360-I(S)	DS-2CD214360-I(S)(BLACK)	DS-2CD216360-I	DS-2CD218360-I
Image Sensor	1/3" Progressive Scan CMOS	1/3" Progressive Scan CMOS	1/3" Progressive Scan CMOS	1/2.9" Progressive Scan CMOS	1/2.5" Progressive Scan CMOS
Min. Illumination(Color)	Color: 0.01 Lux @ (F1.2, AGC ON), 0.018 Lux @ (F1.6, AGC ON), 0 Lux with IR	Color: 0.01 Lux @ (F1.2, AGC ON), 0.018 Lux @ (F1.6, AGC ON), 0 Lux with IR	Color: 0.01 Lux @ (F1.2, AGC ON), 0.018 Lux @ (F1.6, AGC ON), 0 Lux with IR	Color: 0.01 lux @ (F1.2, AGC ON), 0.028 lux @ (F2.0, AGC ON), 0 lux with IR	Color: 0.01 Lux @ (F1.2, AGC ON), 0.018 Lux @ (F1.6, AGC ON), 0 Lux with IR
Lens option	2.8mm	4 mm	4 mm	2.8mm	2.8mm
Horizontal Angle of View	2.8 mm: Horizontal FOV: 98°, vertical FOV: 55°, diagonal FOV: 114°	4 mm, horizontal FOV: 83°, vertical FOV: 45°, diagonal FOV: 99°	4 mm, horizontal FOV: 83°, vertical FOV: 45°, diagonal FOV: 99°	Horizontal FOV: 97°	Horizontal FOV: 102°
Video Compression	Main stream: H.265/H.264, Sub-stream: H.265/H.264/MJPEG, Third stream: H.265/H.264	Main stream: H.265/H.264 Sub-stream: H.265/H.264/MJPEG Third stream: H.265/H.264	Main stream: H.265/H.264 Sub-stream: H.265/H.264/MJPEG Third stream: H.265/H.264	Main stream: H.265/H.264, Sub-stream: H.265/H.264/MJPEG, Third stream: H.265/H.264	Main stream: H.265/H.264, Sub-stream: H.265/H.264/MJPEG, Third stream: H.265/H.264
Max. Image Resolution	2560 × 1440	2688 × 1520	2688 × 1520	3072 × 2048	3840 × 2160
WDR	120dB	120dB	120dB	120dB	120dB
Operations Conditions	Temperature: -30 °C to +60 °C (-22 °F to +140 °F), Humidity 95% or less (non-condensing)	-30 °C to +60 °C (-22 °F to +140 °F), Humidity 95% or less (non-condensing)	-30 °C to +60 °C (-22 °F to +140 °F), Humidity 95% or less (non-condensing)	Temperature: -30 °C to +60 °C (-22 °F to +140 °F), Humidity 95% or less (non-condensing)	Temperature: -30 °C to +60 °C (-22 °F to +140 °F), Humidity 95% or less (non-condensing)
Power Supply	12 VDC ± 25%, Φ 5.5 mm coaxial power plug, PoE (802.3af, class 3)	12 VDC ± 25%, Φ 5.5 mm coaxial power plug PoE (802.3af, class 3)	12 VDC ± 25%, Φ 5.5 mm coaxial power plug PoE (802.3af, class 3)	12 VDC ± 25%, Φ 5.5 mm coaxial power plug, PoE (802.3af, class 3)	12 VDC ± 25%, Φ 5.5 mm coaxial power plug, PoE (802.3af, class 3)
Consumption	12 VDC, 0.5A, max. 6W, PoE (802.3af, 37V to 57V), 0.2A to 0.1A, max. 7.5W	12 VDC, 0.5A, max. 6W PoE (802.3af, 37V to 57V), 0.2A to 0.1A, max. 7.5W	12 VDC, 0.5A, max. 6W PoE (802.3af, 37V to 57V), 0.2A to 0.1A, max. 7.5W	12 VDC, 0.5A, max. 6W, PoE (802.3af, 37V to 57V), 0.2A to 0.1A, max. 7.5W	12 VDC, 0.5A, max. 6W, PoE (802.3af, 37V to 57V), 0.2A to 0.1A, max. 7.5W
IR Range	Up to 30 m	Up to 30 m	Up to 30 m	Up to 30 m	Up to 30 m
Weatherproof	IP67	IP67	IP67	IP67	IP67
Protection level	IK10	IK10	IK10	IK10	IK10
Audio Input/Output	-	1/1	1/1	1/1(-S)	1/1(-S)
Alarm Input/Output	-	1/1	1/1	1/1(-S)	1/1(-S)

FIXED MINI DOME CAMERA



CUBE CAMERA



FIXED TURRET CAMERA



Short Description	2 MP EXIR Fixed Mini Dome Network Camera	4 MP EXIR Fixed Mini Dome Network Camera	4 MP EXIR Fixed Mini Dome Network Camera	4 MP IR Fixed Cube Network Camera	2 MP IR Network Turret Camera
Model	DS-2CD252360-IS	DS-2CD254360-IS	DS-2CD254360-IS(BLACK)	DS-2CD244360-I(W)	DS-2CD132360-I
Image Sensor	1/2.7" Progressive Scan CMOS	1/3" Progressive Scan CMOS	1/3" Progressive Scan CMOS	1/3" Progressive Scan CMOS	1/2.8" progressive scan CMOS
Min. Illumination(Color)	Color: 0.01 Lux @ (F1.2, AGC ON), 0.018 lux @ (F1.6, AGC ON), 0 lux with IR	Color: 0.01 Lux @ (F1.2, AGC ON), 0.018 lux @ (F1.6, AGC ON), 0 lux with IR	Color: 0.01 Lux @ (F1.2, AGC ON), 0.018 lux @ (F1.6, AGC ON), 0 lux with IR	Color: 0.01 Lux @ (F1.2, AGC ON), 0.018 lux @ (F1.6, AGC ON), 0 lux with IR	Color: 0.01 Lux @ (F1.2, AGC ON), 0.028Lux @ (F2.0, AGC ON)
Lens option	2.8mm	2.8mm	2.8mm	2.8 mm	4 mm
Horizontal Angle of View	Horizontal FOV: 114°	Horizontal FOV: 98°	Horizontal FOV: 98°	2.8 mm, horizontal FOV: 98°, vertical FOV: 55°, diagonal FOV: 114°	Horizontal FOV 86°, vertical FOV 46°, diagonal FOV 102°
Video Compression	Main stream: H.265/H.264Sub stream: H.265/H.264/MJPEGThird stream: H.265/H.264	Main stream: H.265/H.264Sub stream: H.265/H.264/MJPEGThird stream: H.265/H.264	Main stream: H.265/H.264Sub stream: H.265/H.264/MJPEGThird stream: H.265/H.264	Main stream: H.265/H.264 Sub-stream: H.265/H.264/MJPEG Third stream: H.265/H.264	Main stream: H.265/H.264 Sub stream: H.265/H.264/MJPEG
Max. Image Resolution	1920 × 1080	2688 × 1520	2688 × 1520	2688 × 1520	1920 × 1080
WDR	120dB	120dB	120dB	120dB	Digital WDR
Operations Conditions	-30 °C to +60 °C (-22 °F to +140 °F), Humidity 95% or less (non-condensing)	-30 °C to +60 °C (-22 °F to +140 °F), Humidity 95% or less (non-condensing)	-30 °C to +60 °C (-22 °F to +140 °F), Humidity 95% or less (non-condensing)	-10 °C to +40 °C (14 °F to +104 °F), Humidity 95% or less (non-condensing)	Temperature: -30 °C to 50 °C (-22 °F to 122 °F), Humidity: 95% or less (non-condensing)
Power Supply	12 VDC ± 25%, PoE (802.3af, class 3)	12 VDC ± 25%, PoE (802.3af, class 3)	12 VDC ± 25%, PoE (802.3af, class 3)	12 VDC ± 25%, PoE (802.3af, class 3)	12 VDC ± 25%, 5.5 mm coaxial power plug PoE (802.3af, class 3)
Consumption	12 VDC, 0.7A, max. 8.5W, Φ 5.5mm coaxial plug powerPoE (802.3af, 36V to 57V), 0.3 A to 0.1 A, max. 10W	12 VDC, 0.7A, max. 8.5W, Φ 5.5mm coaxial plug powerPoE (802.3af, 36V to 57V), 0.3 A to 0.1 A, max. 10W	12 VDC, 0.7A, max. 8.5W, Φ 5.5mm coaxial plug powerPoE (802.3af, 36V to 57V), 0.3 A to 0.1 A, max. 10W	12 VDC, 0.5 A, max. 6 W, Φ 5.5 mm coaxial plug power PoE (802.3af, 36V to 57V), 0.2 A to 0.1 A, max. 7W	12 VDC, 0.4 A, Max: 5 W PoE: (802.3af, 36 V to 57 V), 0.2 A to 0.13 A, Max: 7 W
IR Range	Up to 10 m	Up to 10 m	Up to 10 m	10 m	Up to 30 m
Weatherproof	IP66	IP66	IP66	-	IP67
Protection level	IK08	IK08	IK08	-	-
Audio Input/Output	2/1	-	2/1	1/1	-
Alarm Input/Output	1/1	-	1/1	-	-



FIXED MINI BULLET CAMERA



NEW



NEW



NEW



Short Description	4 MP IR Network Turret Camera	2 MP IR Fixed Bullet Network Camera	4 MP IR Fixed Bullet Network Camera	4 MP IR Fixed Bullet Network Camera	6 MP IR Fixed Bullet Network Camera
Model	DS-2CD134360-I	DS-2CD202360-I	DS-2CD204360-I	DS-2CD204360-I(BLACK)	DS-2CD206360-I
Image Sensor	1/3" progressive scan CMOS	1/2.8" Progressive Scan CMOS	1/3" Progressive Scan CMOS	1/3" Progressive Scan CMOS	1/2.9" Progressive Scan CMOS
Min. Illumination(Color)	Color: 0.01 Lux @(F1.2, AGC ON), 0.028Lux @(F2.0, AGC ON)	Color: 0.01 Lux @(F1.2, AGC ON), 0.028 Lux @(F2.0, AGC ON), 0 Lux with IR	Color: 0.01 Lux @(F1.2, AGC ON), 0.018 Lux @(F1.6, AGC ON), 0 Lux with IR	Color: 0.01 Lux @(F1.2, AGC ON), 0.018 Lux @(F1.6, AGC ON), 0 Lux with IR	Color: 0.01 lux @(F1.2, AGC ON), 0.028 lux @(F2.0, AGC ON), 0 lux with IR
Lens option	2.8mm	2.8mm	2.8mm	2.8mm	2.8/4/6/8 mm
Horizontal Angle of View	Horizontal FOV 100°, vertical FOV 55°, diagonal FOV 117°	2.8 mm: Horizontal FOV: 103°, vertical FOV: 59°, diagonal FOV: 118°	Horizontal FOV: 98°, vertical FOV: 55°, diagonal FOV: 114°	Horizontal FOV: 98°, vertical FOV: 55°, diagonal FOV: 114°	2.8 mm, horizontal FOV: 97°, vertical FOV: 63°, diagonal FOV: 120° 4 mm, horizontal FOV: 78°, vertical FOV: 50°, diagonal FOV: 97° 6 mm, horizontal FOV: 60°, vertical FOV: 39°, diagonal FOV: 75° 8 mm, horizontal FOV: 39.5°, vertical FOV: 26°, diagonal FOV: 48°
Video Compression	Main stream: H.265/H.264 Sub stream: H.265/H.264/MJPEG	Main stream: H.265/H.264,Sub-stream: H.265/H.264/MJPEG,Third stream: H.265/H.264	Main stream: H.265/H.264,Sub-stream: H.265/H.264/MJPEG,Third stream: H.265/H.264	Main stream: H.265/H.264,Sub-stream: H.265/H.264/MJPEG,Third stream: H.265/H.264	Main stream: H.265/H.264,Sub-stream: H.265/H.264/MJPEG,Third stream: H.265/H.264
Max. Image Resolution	2560 × 1440	1920 × 1080	2560 × 1440	2560 × 1440	3072 × 2048
WDR	Digital WDR	120dB	120dB	120dB	120dB
Operations Conditions	Temperature:-30 °C to 50 °C [-22 °F to 122 °F], Humidity: 95% or less (non-condensing)	Temperature:-30 °C to +60 °C [-22 °F to +140 °F], Humidity 95% or less (non-condensing)	Temperature:-30 °C to +60 °C [-22 °F to +140 °F], Humidity 95% or less (non-condensing)	Temperature:-30 °C to +60 °C [-22 °F to +140 °F], Humidity 95% or less (non-condensing)	Temperature:-30 °C to +60 °C [-22 °F to +140 °F], Humidity 95% or less (non-condensing)
Power Supply	12 VDC ± 25%, 5.5 mm coaxial power plug PoE (802.3af, class 3)	12 VDC ± 25%, Φ 5.5 mm coaxial power plug, PoE (802.3af, class 3)	12 VDC ± 25%, Φ 5.5 mm coaxial power plug,PoE (802.3af, class 3)	12 VDC ± 25%, Φ 5.5 mm coaxial power plug,PoE (802.3af, class 3)	12 VDC ± 25%, Φ 5.5 mm coaxial power plug,PoE (802.3af, class 3)
Consumption	12 VDC, 0.4 A, Max: 5 W PoE: (802.3af, 36 V to 57 V), 0.2 A to 0.13 A, Max: 7 W	12 VDC, 0.5A, max. 6W,PoE (802.3af, 37V to 57V), 0.2A to 0.1A, max. 7.5W	12 VDC, 0.5A, max. 6W;PoE (802.3af, 37V to 57V), 0.2A to 0.1A, max. 7.5W	12 VDC, 0.5A, max. 6W;PoE (802.3af, 37V to 57V), 0.2A to 0.1A, max. 7.5W	12 VDC, 0.4 A, max. 6W PoE: (802.3af, 36V to 57V), 0.2 A to 0.1 A, max. 7.5W
IR Range	Up to 30 m	Up to 30 m	Up to 30 m	Up to 30 m	Up to 30 m
Weatherproof	IP67	IP67	IP67	IP67	IP67
Protection level	-	-	-	-	-
Audio Input/Output	-	-	-	-	-
Alarm Input/Output	-	-	-	-	-



FIXED TURRET CAMERA



Short Description	8 MP IR Fixed Bullet Network Camera	2 MP IR Fixed Turret Network Camera	4 MP IR Fixed Turret Network Camera	4 MP IR Fixed Turret Network Camera	6 MP IR Fixed Turret Network Camera
Model	DS-2CD208360-I	DS-2CD232360-I	DS-2CD234360-I	DS-2CD234360-I(BLACK)	DS-2CD236360-I
Image Sensor	1/2.5" Progressive Scan CMOS	1/2.8" Progressive Scan CMOS	1/3" Progressive Scan CMOS	1/3" Progressive Scan CMOS	1/2.9" Progressive Scan CMOS
Min. Illumination(Color)	Color: 0.01 Lux @ (F1.2, AGC ON), 0.018 Lux @ (F1.6, AGC ON), 0 Lux with IR	Color: 0.01 Lux @ (F1.2, AGC ON), 0.028 Lux @ (F2.0, AGC ON), 0 Lux with IR	Color: 0.01 Lux @ (F1.2, AGC ON), 0.018 Lux @ (F1.6, AGC ON), 0 Lux with IR	Color: 0.01 Lux @ (F1.2, AGC ON), 0.018 Lux @ (F1.6, AGC ON), 0 Lux with IR	Color: 0.01 lux @ (F1.2, AGC ON), 0.028 lux @ (F2.0, AGC ON), 0 lux with IR
Lens option	2.8mm	2.8mm	2.8mm	2.8mm	2.8/4/6/8 mm
Horizontal Angle of View	Horizontal FOV: 102°	Horizontal FOV: 114°, vertical FOV: 62°, diagonal FOV: 135°	2.8 mm: Horizontal FOV: 98°, vertical FOV: 55°, diagonal FOV: 114°	2.8 mm: Horizontal FOV: 98°, vertical FOV: 55°, diagonal FOV: 114°	2.8 mm, horizontal FOV: 97°, vertical FOV: 63°, diagonal FOV: 120° 4 mm, horizontal FOV: 78°, vertical FOV: 50°, diagonal FOV: 97° 6 mm, horizontal FOV: 60°, vertical FOV: 39°, diagonal FOV: 75° 8 mm, horizontal FOV: 39.5°, vertical FOV: 26°, diagonal FOV: 48°
Video Compression	Main stream: H.265/H.264, Sub-stream: H.265/H.264/MJPEG, Third stream: H.265/H.264	Main stream: H.265/H.264, Sub-stream: H.265/H.264/MJPEG, Third stream: H.265/H.264	Main stream: H.265/H.264, Sub-stream: H.265/H.264/MJPEG, Third stream: H.265/H.264	Main stream: H.265/H.264, Sub-stream: H.265/H.264/MJPEG, Third stream: H.265/H.264	Main stream: H.265/H.264, Sub-stream: H.265/H.264/MJPEG, Third stream: H.265/H.264
Max. Image Resolution	3840 × 2160	1920 × 1080	2560 × 1440	2560 × 1440	3072 × 2048
WDR	120dB	3D DNR	120dB	120dB	120dB
Operations Conditions	Temperature: -30 °C to +60 °C (-22 °F to +140 °F), Humidity 95% or less (non-condensing)	Temperature: -30 °C to +60 °C (-22 °F to +140 °F), Humidity 95% or less (non-condensing)	Temperature: -30 °C to +60 °C (-22 °F to +140 °F), Humidity 95% or less (non-condensing)	Temperature: -30 °C to +60 °C (-22 °F to +140 °F), Humidity 95% or less (non-condensing)	Temperature: -30 °C to +60 °C (-22 °F to +140 °F), Humidity 95% or less (non-condensing)
Power Supply	12 VDC ± 25%, Φ 5.5 mm coaxial power plug, PoE (802.3af, class 3)	12 VDC ± 25%, Φ 5.5 mm coaxial power plug, PoE (802.3af, class 3)	12 VDC ± 25%, Φ 5.5 mm coaxial power plug, PoE (802.3af, class 3)	12 VDC ± 25%, Φ 5.5 mm coaxial power plug, PoE (802.3af, class 3)	12 VDC ± 25%, Φ 5.5 mm coaxial power plug, PoE (802.3af, class 3)
Consumption	12 VDC, 0.4 A, max. 6W, PoE: (802.3af, 36V to 57V), 0.2 A to 0.1 A, max. 7.5W	12 VDC, 0.5A, max. 6W, PoE (802.3af, 37V to 57V), 0.2A to 0.1A, max. 7.5W	12 VDC, 0.5A, max. 6W, PoE (802.3af, 37V to 57V), 0.2A to 0.1A, max. 7.5W	12 VDC, 0.5A, max. 6W, PoE (802.3af, 37V to 57V), 0.2A to 0.1A, max. 7.5W	12 VDC, 0.5A, max. 6W, PoE (802.3af, 37V to 57V), 0.2A to 0.1A, max. 7.5W
IR Range	Up to 30 m	Up to 30 m	Up to 30 m	Up to 30 m	Up to 30 m
Weatherproof	IP67	IP67	IP67	IP67	IP67
Protection level	-	-	-	-	-
Audio Input/Output	-	-	-	-	-
Alarm Input/Output	-	-	-	-	-



VARI-FOCAL TURRET CAMERA

Short Description	8 MP IR Fixed Turret Network Camera	2 MP IR Vari-focal Turret Network Camera	4 MP IR Vari-focal Turret Network Camera
Model	DS-2CD238360-I	DS-2CD2H2360-IZS	DS-2CD2H4360-IZS
Image Sensor	1/2.5" Progressive Scan CMOS	1/2.8" Progressive Scan CMOS	1/3" Progressive Scan CMOS
Min. Illumination(Color)	Color: 0.01 Lux @ (F1.2, AGC ON), 0.018 Lux @ (F1.6, AGC ON), 0 Lux with IR	Color: 0.01 Lux @ (F1.2, AGC ON), 0.018 Lux @ (F1.6, AGC ON), 0 Lux with IR	Color: 0.01 Lux @ (F1.2, AGC ON), 0.018 Lux @ (F1.6, AGC ON), 0 Lux with IR
Lens option	2.8mm	2.8 to 12 mm	2.8 to 12 mm
Horizontal Angle of View	Horizontal FOV: 102°	horizontal FOV: 110° to 31° vertical FOV: 58° to 18° diagonal FOV: 136° to 36°	horizontal FOV: 104° to 29° vertical FOV: 55° to 17° diagonal FOV: 125° to 34°
Video Compression	Main stream: H.265/H.264, Sub-stream: H.265/H.264/MJPEG, Third stream: H.265/H.264	Main stream: H.265/H.264 Sub-stream: H.265/H.264/MJPEG Third stream: H.265/H.264	Main stream: H.265/H.264 Sub-stream: H.265/H.264/MJPEG Third stream: H.265/H.264
Max. Image Resolution	3840 × 2160	1920 × 1080	2688 × 1520
WDR	120dB	120dB	120dB
Operations Conditions	Temperature:-30 °C to +60 °C (-22 °F to +140 °F), Humidity 95% or less (non-condensing)	-30 °C to +60 °C (-22 °F to +140 °F), Humidity 95% or less (non-condensing)	-30 °C to +60 °C (-22 °F to +140 °F), Humidity 95% or less (non-condensing)
Power Supply	12 VDC ± 25%, Φ 5.5 mm coaxial power plug,PoE (802.3af, class 3)	12 VDC ± 25%, terminal block PoE (802.3af, class 3)	12 VDC ± 25%, terminal block PoE (802.3af, class 3)
Consumption	12 VDC, 0.5A, max. 6W,PoE (802.3af, 37V to 57V), 0.2A to 0.1A, max. 7.5W	12 VDC, 0.85A, max. 10W PoE (802.3af, 37V to 57V), 0.35A to 0.2A, max. 12.5W	12 VDC, 0.85A, max. 10W PoE (802.3af, 37V to 57V), 0.35A to 0.2A, max. 12.5W
IR Range	Up to 30 m	Up to 30 m	Up to 30 m
Weatherproof	IP67	IP67	IP67
Protection level	-	IK10	IK10
Audio Input/Output	-	1/1	1/1
Alarm Input/Output	-	1/1	1/1

FIXED BULLET CAMERA



NEW



Short Description	2MP Ultra-light Mini Bullet Network Camera	4 MP IR Fixed Network Bullet Camera	4 MP IR Fixed Bullet Network Camera	4 MP IR Fixed Bullet Network Camera	6 MP IR Fixed Bullet Network Camera
Model	DS-2CD2025FWD-I	DS-2CD2041G1-IDW1	DS-2CD2045FWD-I	DS-2CD2045FWD-I(BLACK)	DS-2CD2065FWD-I
Image Sensor	1/2.8" Progressive Scan CMOS	1/3" Progressive Scan CMOS	1/2.5" Progressive Scan CMOS	1/2.5" Progressive Scan CMOS	1/2.4" Progressive Scan CMOS
Min. Illumination(Color)	Color: 0.005 lux @(F1.2, AGC ON), 0 lux with IR	Color: 0.01 Lux @(F1.2; AGC ON), 0.028 Lux @(F2.0; AGC ON)	Color: 0.009 lux @(F1.2, AGC ON), 0.016 lux @(F1.6, AGC ON), 0 lux with IR	Color: 0.009 lux @(F1.2, AGC ON), 0.016 lux @(F1.6, AGC ON), 0 lux with IR	Color: 0.008 Lux @(F1.2, AGC ON), 0.014 Lux @(F1.6, AGC ON)
Lens option	2.8mm	2.8/4 mm	2.8mm	2.8mm	2.8/4/6 mm
Horizontal Angle of View	108°	2.8 mm, horizontal FOV: 100°, vertical FOV: 55°, diagonal FOV: 117° 4 mm, horizontal field of view: 75°, vertical FOV: 41°, diagonal FOV: 88°	Horizontal FOV:109°	Horizontal FOV:109°	2.8 mm, horizontal FOV: 99°, vertical FOV: 61°, diagonal FOV: 128° 4 mm, horizontal FOV: 80°, vertical FOV: 51°, diagonal FOV: 101° 6 mm, horizontal FOV: 60°, vertical FOV: 38°
Video Compression	Main stream: H.265/H.264Sub stream: H.265/H.264/MJPEGThird stream: H.265/H.264	Main stream: H.265/H.264 Sub stream: H.265/H.264/MJPEG	Main stream: H.265/H.264Sub stream: H.265/H.264/MJPEGThird stream: H.265/H.264	Main stream: H.265/H.264Sub stream: H.265/H.264/MJPEGThird stream: H.265/H.264	Main stream: H.265/H.264 Sub stream: H.265/H.264/MJPEG Third stream: H.265/H.264
Max. Image Resolution	1920 × 1080	2560 × 1440	2560 × 1440	2560 × 1440	3072 × 2048
WDR	120dB		120dB	120dB	120dB
Operations Conditions	-30 °C to +60 °C [-22 °F to +140 °F], Humidity 95% or less (non-condensing)	-30 °C to +60 °C [-22 °F to +140 °F], Humidity 95% or less (non-condensing)	Temperature:-30 °C to +60 °C [-22 °F to +140 °F], Humidity 95% or less (non-condensing)	Temperature:-30 °C to +60 °C [-22 °F to +140 °F], Humidity 95% or less (non-condensing)	-30 °C to +60 °C [-22 °F to +140 °F], Humidity 95% or less (non-condensing)
Power Supply	12 VDC ± 25%/PoE(802.3af, class 3)	12 VDC ± 25%, Φ 5.5 mm coaxial plug power	12 VDC ± 25%/PoE(802.3af, class 3)	12 VDC ± 25%/PoE(802.3af, class 3)	12 VDC ± 25%, 5.5 mm coaxial power plug PoE (802.3af, class 3)
Consumption	-	12 VDC, 0.5 A, Max: 6W	12 VDC, 0.5 A, max. 5.5 WPoE (802.3af, 36V to 57V), 0.2 A to 0.1 A, max. 7 W	12 VDC, 0.5 A, max. 5.5 WPoE (802.3af, 36V to 57V), 0.2 A to 0.1 A, max. 7 W	12 VDC, 0.4 A, max. 6W PoE: (802.3af, 36V to 57V), 0.2 A to 0.1 A, max. 7.5W
IR Range	30m	Up to 30 m	30m	30m	Up to 30 m
Weatherproof	IP67		IP67	IP67	
Protection level	-	IP66	-	-	IP67, IK10
Audio Input/Output	-	1 Built-in mic, mono sound	-	-	-
Alarm Input/Output	-		-	-	-



NEW

FIXED DOME CAMERA



NEW

Short Description	8MP Mini Bullet Network Camera	2 MP IR Fixed Dome Network Camera	2 MP Ultra-Low Light Network Dome Camera	4 MP IR Fixed Network Dome Camera	4 MP IR Fixed Dome Network Camera
Model	DS-2CD2085FWD-I(B)	DS-2CD2125FWD-I(S)	DS-2CD2125FWD-IS	DS-2CD2141G1-IDW1	DS-2CD2145FWD-IS
Image Sensor	1/2.5" Progressive Scan CMOS	1/2.8" Progressive Scan CMOS	1/2.8" Progressive Scan CMOS	1/3" Progressive Scan CMOS	1/2.5" Progressive Scan CMOS
Min. Illumination(Color)	0.008 Lux @ (F1.2, AGC ON), 0.014 Lux @ (F1.6, AGC ON)	Color: 0.005 Lux @ (F1.2, AGC ON), 0 Lux with IR Color: 0.009 Lux @ (F1.6, AGC ON), 0 Lux with IR	Color: 0.005 lux @ (F1.2, AGC ON), 0 lux with IR Color: 0.009 Lux @ (F1.6, AGC ON), 0 Lux with IR	Color: 0.01 Lux @ (F1.2; AGC ON), 0.028 Lux @ (F2.0; AGC ON)	Color: 0.009 lux @ (F1.2, AGC ON), 0.016 lux @ (F1.6, AGC ON), 0 lux with IR
Lens option	2.8 mm	4 mm	2.8mm	2.8/4 mm	2.8mm
Horizontal Angle of View	102°	4 mm, horizontal field of view: 86.4°	108°	2.8 mm, horizontal FOV: 100°, vertical FOV: 55°, diagonal FOV: 117° 4 mm, horizontal field of view: 75°, vertical FOV: 41°, diagonal FOV: 88°	Horizontal FOV: 109°
Video Compression	Main stream: H.265/H.264 Sub stream: H.265/H.264/MJPEG Third stream: H.265/H.264	Main stream: H.265/H.264 Sub stream: H.265/H.264/MJPEG Third stream: H.265/H.264	Main stream: H.265/H.264 Sub stream: H.265/H.264/MJPEG Third stream: H.265/H.264	Main stream: H.265/H.264 Sub stream: H.265/H.264/MJPEG	Main stream: H.265/H.264 Sub stream: H.265/H.264/MJPEG Third stream: H.265/H.264
Max. Image Resolution	3840 × 2160	1920 × 1080	1920 × 1080	2560 × 1440	2560 × 1440
WDR	120dB	120dB	120dB		120dB
Operations Conditions	-30 °C to +60 °C (-22 °F to +140 °F), Humidity 95% or less (non-condensing)		-30 °C to +60 °C (-22 °F to +140 °F), Humidity 95% or less (non-condensing)	-30 °C to +60 °C (-22 °F to +140 °F), Humidity 95% or less (non-condensing)	Temperature: -30 °C to +60 °C (-22 °F to +140 °F), Humidity 95% or less (non-condensing)
Power Supply	12 VDC ± 25%/PoE(802.3af, class 3)		12 VDC ± 25%/PoE(802.3af, class 3)	12 VDC ± 25%, Φ 5.5 mm coaxial plug power	12 VDC ± 25%/PoE(802.3af, class 3)
Consumption	7W/7.5W		-	12 VDC, 0.5 A, Max: 6W	12 VDC, 0.5 A, max. 5.5 W PoE (802.3af, 36V to 57V), 0.2 A to 0.1 A, max. 7 W
IR Range	30m	Up to 30 m	30m	Up to 30 m	30m
Weatherproof	IP67	IP67	IP67		IP67
Protection level	-	IK10	IK10	IP66	IK10
Audio Input/Output	-	-	-	1 Built-in mic, mono sound	-
Alarm Input/Output	-	-	-		-

**NEW****NEW**

FIXED TURRET CAMERA

Short Description	4 MP IR Fixed Dome Network Camera	5 MP IR Fixed Dome Network Camera	6 MP IR Fixed Dome Network Camera	2MP Ultra-Low Light Network Turret Camera	4 MP IR Fixed Turret Network Camera
Model	DS-2CD2145FWD-IS(BLACK)	DS-2CD2155FWD-I	DS-2CD2165FWD-IS	DS-2CD2325FWD-I	DS-2CD2345FWD-I
Image Sensor	1/2.5" Progressive Scan CMOS	1/2.9" Progressive Scan CMOS	1/2.4" Progressive Scan CMOS	1/2.5" Progressive Scan CMOS	1/2.5" Progressive Scan CMOS
Min. Illumination(Color)	Color: 0.009 lux @(F1.2, AGC ON), 0.016 lux @(F1.6, AGC ON), 0 lux with IR	Color: 0.01 lux @(F1.2, AGC ON), 0.028 Lux @(F2.0, AGC ON), 0 lux with IR	Color: 0.008 Lux @(F1.2, AGC ON), 0.014 Lux @(F1.6, AGC ON)	0.005 lux @(F1.2, AGC ON), 0 lux with IR	Color: 0.009 lux @(F1.2, AGC ON), 0.016 lux @(F1.6, AGC ON), 0 lux with IR
Lens option	2.8mm	2.8/4/6/8/12 mm	2.8/4/6 mm	2.8 mm	2.8 mm
Horizontal Angle of View	Horizontal FOV:109°	2.8 mm, horizontal field of view: 97° 4 mm, horizontal field of view: 78° 6 mm, horizontal field of view: 60° 8 mm, horizontal field of view: 39.5° 12 mm, horizontal field of view: 19°	2.8 mm, horizontal FOV: 99°, vertical FOV: 61°, diagonal FOV: 128° 4 mm, horizontal FOV: 80°, vertical FOV: 51°, diagonal FOV: 101° 6 mm, horizontal FOV: 60°, vertical FOV: 38°	108°	Horizontal FOV:109°
Video Compression	Main stream: H.265/H.264Sub stream: H.265/H.264/MJPEGThird stream: H.265/H.264	Main stream: H.265/H.264Sub stream: H.265/H.264/MJPEGThird stream: H.265/H.264	Main stream: H.265/H.264 Sub stream: H.265/H.264/MJPEG Third stream: H.265/H.264	Main stream: H.265/H.264Sub stream: H.265/H.264/MJPEGThird stream: H.265/H.264	Main stream: H.265/H.264Sub stream: H.265/H.264/MJPEGThird stream: H.265/H.264
Max. Image Resolution	2560 × 1440	2944 × 1656	3072 × 2048	1920 × 1080	2560 × 1440
WDR	120dB	120dB	120dB	120dB	120dB
Operations Conditions	Temperature:-30 °C to +60 °C (-22 °F to +140 °F), Humidity 95% or less (non-condensing)	-30 °C to +60 °C (-22 °F to +140 °F), Humidity 95% or less (non-condensing)	-30 °C to +60 °C (-22 °F to +140 °F), Humidity 95% or less (non-condensing)	-30°C +60 °C (-22 °F to +140 °F), Humidity 95% or less (non-condensing)	Temperature:-30 °C to +60 °C (-22 °F to +140 °F), Humidity 95% or less (non-condensing)
Power Supply	12 VDC ± 25%/PoE(802.3af, class 3)	12 VDC ± 25%, 6.2 W PoE (802.3af, class 3), 9 W	12 VDC ± 25%, 5.5 mm coaxial power plug PoE (802.3af, class 3)	12 VDC ± 25%/PoE(802.3af, 42.5 – 57V, class 3)	12 VDC ± 25%, PoE(802.3af, class 3)
Consumption	12 VDC, 0.5 A, max. 5.5 W PoE (802.3af, 36V to 57V), 0.2 A to 0.1 A, max. 7 W	-	12 VDC, 0.4 A, max. 6W PoE: (802.3af, 36V to 57V), 0.2 A to 0.1 A, max. 7.5W	-	12 VDC, 0.5 A, max. 6 W PoE (802.3af, 36V to 57V), 0.3 A to 0.2 A, max. 7.5 W
IR Range	30m	30m	Up to 30 m	30m	30m
Weatherproof	IP67	IP67		IP67	IP67
Protection level	IK10	IK10	IP67, IK10	-	-
Audio Input/Output	-	1/1	1 audio input (line in), 1 audio output interface, terminal block	-	-
Alarm Input/Output	-	1/1	1 alarm input, 1 alarm output (max. 12 VDC, 30 mA), terminal block	-	-



CUBE CAMERA



FIXED MINI DOME CAMERA



NEW

Short Description	4 MP IR Fixed Turret Network Camera	5MP Network Turret Camera	8MP Network Turret Camera	2 MP EXIR Fixed Cube Network Camera	4 MP IR Fixed Mini Dome Network Camera
Model	DS-2CD2345FWD-I(BLACK)	DS-2CD2355FWD-I	DS-2CD2385FWD-I	DS-2CD2425FWD-I(W)(S)	DS-2CD2545FWD-I(W)(S)(BLACK)
Image Sensor	1/2.5" Progressive Scan CMOS	1/2.9" Progressive Scan CMOS	1/2.5" Progressive Scan CMOS	1/2.8" Progressive Scan CMOS	1/2.5" Progressive Scan CMOS
Min. Illumination(Color)	Color: 0.009 lux @(F1.2, AGC ON), 0.016 lux @(F1.6, AGC ON), 0 lux with IR	Color: 0.01 lux @(F1.2, AGC ON), 0 lux with IR	0.01 lux @(F1.2, AGC ON), 0 lux with IR	Color: 0.005 Lux @ (F1.2, AGC ON), 0 Lux with IR; Color: 0.009 lux @(F1.6, AGC ON), 0 lux with IR	Color: 0.008 Lux @ (F1.2, AGC ON), 0.014 lux @(F1.6, AGC ON), 0 lux with IR
Lens option	2.8 mm	2.8 mm	2.8 mm	2.8 mm	2.8, 4, 6 mm
Horizontal Angle of View	Horizontal FOV:109°	81°	102°	108°	2.8 mm: Horizontal field of view: 109°, Vertical field of view: 60°, Diagonal field of view: 131° 4 mm: Horizontal field of view: 88°, Vertical field of view: 46°, Diagonal field of view: 105° 6 mm: Horizontal field of view: 53°, Vertical field of view: 30°, Diagonal field of view: 61°
Video Compression	Main stream: H.265/H.264Sub stream: H.265/H.264/MJPEGThird stream: H.265/H.264	Main stream: H.265/H.264Sub stream: H.265/H.264/MJPEGThird stream: H.265/H.264	Main stream: H.265/H.264Sub stream: H.265/H.264/MJPEGThird stream: H.265/H.264	Main stream: H.265/H.264Sub stream: H.265/H.264/MJPEG	Main stream: H.265/H.264 Sub stream: H.265/H.264/MJPEG Third stream: H.265/H.264
Max. Image Resolution	2560 × 1440	2944 × 1656	3840 × 2160	1920 × 1080	2688 × 1520
WDR	120dB	120dB	120dB	120dB	120dB
Operations Conditions	Temperature:-30 °C to +60 °C (-22 °F to +140 °F), Humidity 95% or less (non-condensing)	-30°C +60 °C (-22 °F to +140 °F), Humidity 95% or less (non-condensing)	-30°C +60 °C (-22 °F to +140 °F), Humidity 95% or less (non-condensing)	Temperature:-10 °C to +40 °C (14 °F to +104 °F), Humidity: 95% or less (non-condensing)	-30 °C to +60 °C (-22 °F to +140 °F), Humidity 95% or less (non-condensing)
Power Supply	12 VDC ± 25%, PoE(802.3af, class 3)	12 VDC ± 25%/PoE(802.3af, 42.5 – 57V, class 3)	12 VDC ± 25%/PoE(802.3af, 42.5 – 57V, class 3)	12 VDC ± 20%, PoE (802.3af, class 3)	12 VDC ± 25%, PoE (802.3af)
Consumption	12 VDC, 0.5 A, max. 6 WPoE (802.3af, 36V to 57V), 0.3 A to 0.2 A, max. 7.5 W	-	-	12 VDC, 0.38A, max. 7W PoE (802.3af, 36V to 57V), 0.2 A to 0.1 A, max. 7W	12 VDC, 0.7A, max. 8.5W, Φ 5.5mm coaxial plug power PoE (802.3af, 36V to 57V), 0.3 A to 0.1 A, max. 10W
IR Range	30m	30m	30m	Up to 10 m	Up to 10 m
Weatherproof	IP67	IP67	IP67	-	-
Protection level	-	-	-	-	IK8, IP66
Audio Input/Output	-	-	-	1/1	2 Inputs: line in or mic in (built-in microphone), 1 Output: line out, mono sound, terminal block
Alarm Input/Output	-	-	-	-	1 Input: Alarm in, 1 Output: Alarm out, terminal block

VARI-FOCAL BULLET CAMERA



NEW



NEW



Short Description	2MP WDR Vari-focal Network Bullet Camera	2MP WDR Vari-focal Network Bullet Camera	4 MP IR VF Bullet Network Camera	5MP WDR Vari-focal Network Bullet Camera	6 MP IR Varifocal Bullet Network Camera
Model	DS-2CD2625FWD-IZS	DS-2CD2625FWD-IZS(BLACK)	DS-2CD2645FWD-IZS	DS-2CD2655FWD-IZS	DS-2CD2665FWD-IZS
Image Sensor	1/2.8" Progressive Scan CMOS	1/2.8" Progressive Scan CMOS	1/2.5" Progressive Scan CMOS	1/2.8" Progressive Scan CMOS	1/2.4" Progressive Scan CMOS
Min. Illumination(Color)	Color: 0.005 Lux @ (F1.2, AGC ON), 0 Lux with IR Color: 0.0068 Lux @ (F1.4, AGC ON), 0 Lux with IR	Color: 0.005 Lux @ (F1.2, AGC ON), 0 Lux with IR Color: 0.0068 Lux @ (F1.4, AGC ON), 0 Lux with IR	Color: 0.009 lux @ (F1.2, AGC ON), 0.016 lux @ (F1.6, AGC ON), 0 lux with IR	Color: 0.005 Lux @ (F1.2, AGC ON), 0 Lux with IR Color: 0.0089 Lux @ (F1.6, AGC ON), 0 Lux with IR	Color: 0.008 Lux @ (F1.2, AGC ON), 0.014 Lux @ (F1.6, AGC ON)
Lens option	2.8-12mm	2.8-12mm	2.8-12mm	2.8-12mm	2.8 to 12 mm
Horizontal Angle of View	105°-35°	105°-35°	Horizontal FOV: 114° to 32°	97°-33°	Horizontal field of view: 114° to 34° Vertical field of view: 71° to 23° Diagonal field of view: 154° to 41°
Video Compression	Main stream: H.265+/H.265/H.264+/H.264 Sub stream: H.265+/H.265/H.264+/H.264/MJPEG Third stream: H.265+/H.265/H.264+/H.264	Main stream: H.265+/H.265/H.264+/H.264 Sub stream: H.265+/H.265/H.264+/H.264/MJPEG Third stream: H.265+/H.265/H.264+/H.264	Main stream: H.265+/H.265/H.264+/H.264 Sub stream: H.265+/H.265/H.264+/H.264/MJPEG Third stream: H.265+/H.265/H.264+/H.264	Main stream: H.265+/H.265/H.264+/H.264 Sub stream: H.265+/H.265/H.264+/H.264/MJPEG Third stream: H.265+/H.265/H.264+/H.264	Main stream: H.265/H.264 Sub stream: H.265/H.264/MJPEG Third stream: H.265/H.264
Max. Image Resolution	1920 × 1080	1920 × 1080	2560 × 1440	2048 × 1536	3072 × 2048
WDR	120dB	120dB	120dB	120dB	120dB
Operations Conditions	-30°C +60 °C (-22 °F to +140 °F), Humidity 95% or less (non-condensing)	-30°C +60 °C (-22 °F to +140 °F), Humidity 95% or less (non-condensing)	Temperature: -30 °C to +60 °C (-22 °F to +140 °F), Humidity 95% or less (non-condensing)	-30°C +60 °C (-22 °F to +140 °F), Humidity 95% or less (non-condensing)	-30 °C to +60 °C (-22 °F to +140 °F), Humidity 95% or less (non-condensing)
Power Supply	12 VDC ± 25%/PoE(802.3af, 42.5 – 57V, class 3)	12 VDC ± 25%/PoE(802.3af, 42.5 – 57V, class 3)	12 VDC ± 25%, terminal block for DC input PoE(802.3at, class 4)	12 VDC ± 25%, PoE (802.3at) Terminal block for DC input	12 VDC ± 25% PoE (802.3at, class 4)
Consumption	-	-	12 VDC, 1.2 A, max. 14.4 W PoE (802.3at, 42.5V to 57V), 0.5 A to 0.3 A, max. 18 W	-	12 VDC, 1.2A, max. 14.5W PoE: (802.3at, 42.5V to 57V), 0.5A to 0.3A, max. 18W
IR Range	30m	30m	50m	50m	Up to 50 m
Weatherproof	IP67	IP67	IP67	IP67	
Protection level	IK10	IK10	IK10	IK10	IP67, IK10
Audio Input/Output	1/1	1/1	1/1	1/1	1 input (line in, 3.5 mm), 1 output (3.5 mm), mono sound
Alarm Input/Output	1/1	1/1	1/1	1/1	1 input, 1 output (max. 12 VDC, 30 mA)

**NEW****NEW****NEW**

Short Description	8MP WDR Vari-focal Network Bullet Camera	8MP WDR Vari-focal Network Bullet Camera	2MP WDR Vari-focal Network Dome Camera	2MP WDR Vari-focal Network Dome Camera	4 MP IR VF Dome Network Camera
Model	DS-2CD2685FWD-IZS(B)	DS-2CD2685FWD-IZS(BLACK)	DS-2CD2725FWD-IZS	DS-2CD2725FWD-IZS(BLACK)	DS-2CD2745FWD-IZS
Image Sensor	1/2.5" Progressive Scan CMOS	1/2.5" Progressive Scan CMOS	1/2.8" Progressive Scan CMOS	1/2.8" Progressive Scan CMOS	1/2.5" Progressive Scan CMOS
Min. Illumination(Color)	Color: 0.008 Lux @ (F1.2, AGC ON), 0.011 Lux @ (F1.4, AGC ON)	Color: 0.01 Lux @ (F1.2, AGC ON), 0 Lux with IR Color: 0.014 Lux @ (F1.4, AGC ON), 0 Lux with IR	Color: 0.005 Lux @ (F1.2, AGC ON), 0 Lux with IR Color: 0.0068 Lux @ (F1.4, AGC ON), 0 Lux with IR	Color: 0.005 Lux @ (F1.2, AGC ON), 0 Lux with IR Color: 0.0068 Lux @ (F1.4, AGC ON), 0 Lux with IR	Color: 0.009 lux @ (F1.2, AGC ON), 0.016 lux @ (F1.6, AGC ON), 0 Lux with IR
Lens option	2.8-12mm	2.8-12mm	2.8-12mm	2.8-12mm	2.8-12mm
Horizontal Angle of View	97°~33°	97°~33°	105°~35°	105°~35°	Horizontal FOV: 114° to 32°
Video Compression	Main stream: H.265+/H.265/H.264+/H.264 Sub stream: H.265+/H.265/H.264+/H.264/MJPEG Third stream: H.265+/H.265/H.264+/H.264	Main stream: H.265+/H.265/H.264+/H.264 Sub stream: H.265+/H.265/H.264+/H.264/MJPEG Third stream: H.265+/H.265/H.264+/H.264	Main stream: H.265+/H.265/H.264+/H.264 Sub stream: H.265+/H.265/H.264+/H.264/MJPEG Third stream: H.265+/H.265/H.264+/H.264	Main stream: H.265+/H.265/H.264+/H.264 Sub stream: H.265+/H.265/H.264+/H.264/MJPEG Third stream: H.265+/H.265/H.264+/H.264	Main stream: H.265+/H.265/H.264+/H.264 Sub stream: H.265+/H.265/H.264+/H.264/MJPEG Third stream: H.265+/H.265/H.264+/H.264
Max. Image Resolution	3840 × 2160	3840 × 2160	1920 × 1080	1920 × 1080	2560 × 1440
WDR	120dB	120dB	120dB	120dB	120dB
Operations Conditions	-30°C +60 °C (-22 °F to +140 °F), Humidity 95% or less (non-condensing)	-30°C +60 °C (-22 °F to +140 °F), Humidity 95% or less (non-condensing)	-30°C +60 °C (-22 °F to +140 °F), Humidity 95% or less (non-condensing)	-30°C +60 °C (-22 °F to +140 °F), Humidity 95% or less (non-condensing)	Temperature:-30 °C to +60 °C (-22 °F to +140 °F), Humidity 95% or less (non-condensing)
Power Supply	12 VDC ± 25%, PoE (802.3at)Terminal block for DC input	12 VDC ± 25%, PoE (802.3at)Terminal block for DC input	12 VDC ± 25%, PoE (802.3at)Terminal block for DC input	12 VDC ± 25%, PoE (802.3at)Terminal block for DC input	12 VDC ± 25%, PoE (802.3at)Terminal block for DC input
Consumption	-	-	-	-	12 VDC, 1 A, max. 11 W PoE (802.3af, 36V to 57V), 0.4 A to 0.2 A, max. 12.5 W
IR Range	50m	50m	30m	30m	30m
Weatherproof	IP67	IP67	IP67	IP67	IP67
Protection level	IK10	IK10	IK10	IK10	IK10
Audio Input/Output	1/1	1/1	1/1	1/1	1/1
Alarm Input/Output	1/1	1/1	1/1	1/1	1/1



Short Description	5MP WDR Vari-focal Network Dome Camera	6 MP IR Varifocal Dome Network Camera	8MP WDR Vari-focal Network Dome Camera	2 MP Box Network Camera	5 MP Network Fisheye Camera
Model	DS-2CD2755FWD-IZS(B)	DS-2CD2765FWD-IZS	DS-2CD2785FWD-IZS(B)	DS-2CD2821G0	DS-2CD2955FWD-IIS
Image Sensor	1/2.9" Progressive Scan CMOS	1/2.4" Progressive Scan CMOS	1/2.9" Progressive Scan CMOS	1/2.7" Progressive Scan CMOS	1/2.5" Progressive Scan CMOS
Min. Illumination(Color)	Color: 0.008 Lux @ (F1.2, AGC ON), 0.011 Lux @ (F1.4, AGC ON)	Color: 0.008 Lux @ (F1.2, AGC ON), 0.011 Lux @ (F1.4, AGC ON)	Color: 0.008 Lux @ (F1.2, AGC ON), 0.011 Lux @ (F1.4, AGC ON)	0.005 Lux @ (F1.2, AGC ON)	Color: 0.01Lux @ (F1.2, AGC ON), 0 Lux with IR on
Lens option	2.8-12mm	2.8 to 12 mm	2.8-12mm		1.05 mm
Horizontal Angle of View	88°-29°	Horizontal field of view: 114° to 34° Vertical field of view: 71° to 23° Diagonal field of view: 154° to 41°	120°-36°		horizontal field of view: 180°, vertical field of view: 180°
Video Compression	Main stream: H.265+/H.265/H.264+/H.264Sub stream: H.265+/H.265/H.264+/H.264/MJPEGThird stream: H.265+/H.265/H.264+/H.264	Main stream: H.265/H.264 Sub stream: H.265/H.264/MJPEG Third stream: H.265/H.264	Main stream: H.265+/H.265/H.264+/H.264Sub stream: H.265+/H.265/H.264+/H.264/MJPEGThird stream: H.265+/H.265/H.264+/H.264	Main stream: H.265/H.264 Sub stream: H.265/H.264/MJPEG	Main stream: H.265/H.264Sub stream: H.265/H.264/MJPEG
Max. Image Resolution	2944 × 1656	3072 × 2048	3840 × 2160	1920 × 1080	2560 × 1920
WDR	120dB	120dB	120dB		120dB
Operations Conditions	-30°C +60 °C (-22 °F to +140 °F), Humidity 95% or less (non-condensing)	-30 °C to +60 °C (-22 °F to +140 °F), Humidity 95% or less (non-condensing)	-30°C +60 °C (-22 °F to +140 °F), Humidity 95% or less (non-condensing)	-10 °C to +50 °C (14 °F to +122 °F), humidity 95% or less (non-condensing)	-10 °C to +50 °C (-14 °F to +122 °F), humidity 95% or less (non-condensing)
Power Supply	12 VDC ± 25%, PoE (802.3af)Terminal block for DC input	12 VDC ± 25% PoE (802.3af, class 3)	12 VDC ± 25%, PoE (802.3af)Terminal block for DC input	DC: 12 V ± 25% AC: 24 V ± 25% (AC24V models support) PoE: 802.3af, class 3 Terminal block	DC 12V ± 25%, 2A, 5W PoE(802.3af 36-57V, class 3), 0.4 – 0.7 A, 6.7W
Consumption	-	12 VDC, 0.9A, max. 10.5W PoE: (802.3af, 36V to 57V), 0.4A to 0.2A, max. 12.5W	-	DC: 12 V, 0.4 A, max: 4.8 W AC: 24 V, 0.2 A, max: 4.8 W (AC24V model supports) PoE: (802.3af, 36 V to 57 V), 0.2 A to 0.1 A, max: 6 W	-
IR Range	30m	Up to 50 m	30m		Up to 8 m
Weatherproof	IP67		IP67		-
Protection level	IK10	IP67, IK10	IK10		-
Audio Input/Output	1/1	1 input (line in, 3.5 mm), 1 output (3.5 mm), mono sound	1/1	1 input (line in/mic in, 3.5 mm), 1 output(3.5 mm) (only -AC model supports mic in)	1/1
Alarm Input/Output	1/1	1 input, 1 output (max. 12 VDC, 30 mA)	1/1	DS-2CD2821G0: 1 input, 1 output (max. DC 12 V, 30 mA) DS-2CD2821G0 (AC24V/DC12V): 1 input, 1 output (max. DC 24 V, 1 A or max. AC 110 V, 500 mA)	1/1

VARI-FOCAL TURRET CAMERA



NEW



NEW



NEW



NEW

Short Description	2 MP WDR Vari-focal Network Turret Camera	2 MP WDR Vari-focal Network Turret Camera	4 MP IR VF Turret Network Camera	28MP WDR Vari-focal Network Turret Camera	28MP WDR Vari-focal Network Turret Camera
Model	DS-2CD2H25FWD-IZS	DS-2CD2H25FWD-IZS(BLACK)	DS-2CD2H45FWD-IZS	DS-2CD2H85FWD-IZS	DS-2CD2H85FWD-IZS(BLACK)
Image Sensor	1/2.8" Progressive Scan CMOS	1/2.8" Progressive Scan CMOS	1/2.5" Progressive Scan CMOS	1/2.5" Progressive Scan CMOS	1/2.5" Progressive Scan CMOS
Min. Illumination(Color)	Color: 0.005 Lux @ (F1.2, AGC ON), 0 Lux with IR Color: 0.0068 Lux @ (F1.4, AGC ON), 0 Lux with IR	Color: 0.005 Lux @ (F1.2, AGC ON), 0 Lux with IR Color: 0.0068 Lux @ (F1.4, AGC ON), 0 Lux with IR	Color: 0.009 lux @ (F1.2, AGC ON), 0.016 lux @ (F1.6, AGC ON), 0 lux with IR	Color: 0.01 Lux @ (F1.2, AGC ON), 0 Lux with IR Color: 0.014 Lux @ (F1.4, AGC ON), 0 Lux with IR	Color: 0.01 Lux @ (F1.2, AGC ON), 0 Lux with IR Color: 0.014 Lux @ (F1.4, AGC ON), 0 Lux with IR
Lens option	2.8 -12 mm	2.8 -12 mm	2.8-12 mm	2.8 -12 mm	2.8 -12 mm
Horizontal Angle of View	105°-35°	105°-35°	Horizontal FOV: 114° to 32°	120°-36°	120°-36°
Video Compression	Main stream: H.265+/H.265/H.264+/H.264 Sub stream: H.265+/H.265/H.264+/H.264/MJPEG Third stream: H.265+/H.265/H.264+/H.264	Main stream: H.265+/H.265/H.264+/H.264 Sub stream: H.265+/H.265/H.264+/H.264/MJPEG Third stream: H.265+/H.265/H.264+/H.264	Main stream: H.265+/H.265/H.264+/H.264 Sub stream: H.265+/H.265/H.264+/H.264/MJPEG Third stream: H.265+/H.265/H.264+/H.264	Main stream: H.265+/H.265/H.264+/H.264 Sub stream: H.265+/H.265/H.264+/H.264/MJPEG Third stream: H.265+/H.265/H.264+/H.264	Main stream: H.265+/H.265/H.264+/H.264 Sub stream: H.265+/H.265/H.264+/H.264/MJPEG Third stream: H.265+/H.265/H.264+/H.264
Max. Image Resolution	1920 × 1080	1920 × 1080	2560 × 1440	3840 × 2160	3840 × 2160
WDR	120dB	120dB	120dB	120dB	120dB
Operations Conditions	-30 °C to +60 °C (-22 °F to +140 °F), Humidity 95% or less (non-condensing)	-30 °C to +60 °C (-22 °F to +140 °F), Humidity 95% or less (non-condensing)	Temperature: -30 °C to +60 °C (-22 °F to +140 °F), Humidity 95% or less (non-condensing)	-30 °C to +60 °C (-22 °F to +140 °F), Humidity 95% or less (non-condensing)	-30 °C to +60 °C (-22 °F to +140 °F), Humidity 95% or less (non-condensing)
Power Supply	12 VDC ± 25%, PoE (802.3af) Terminal block for DC input	12 VDC ± 25%, PoE (802.3af) Terminal block for DC input	12 VDC ± 25%, PoE (802.3af) Terminal block for DC input	12 VDC ± 25%, PoE (802.3af) Terminal block for DC input	12 VDC ± 25%, PoE (802.3af) Terminal block for DC input
Consumption	Max. 10W	Max. 10W	12 VDC, 1 A, max. 11 W PoE (802.3af, 36V to 57V), 0.4 A to 0.3 A, max. 12.5 W	Max. 11W	Max. 11W
IR Range	Up to 30 m	Up to 30 m	Up to 30 m	Up to 30 m	Up to 30 m
Weatherproof	IP67	IP67	IP67	IP67	IP67
Protection level	IK10	IK10	IK10	IK10	IK10
Audio Input/Output	1/1	1/1	1/1	1/1	1/1
Alarm Input/Output	1/1	1/1	1/1	1/1	1/1

FIXED BULLET CAMERA



NEW



VARI-FOCAL BULLET CAMERA

Short Description	2 MP IR Fixed Bullet Network Camera	4 MP IR Fixed Bullet Network Camera	5 MP IR Fixed Bullet Network Camera	8 MP IR Fixed Bullet Network Camera	2.0 MP Ultra-Low Light Smart Bullet Camera
Model	DS-2CD2T25FWD-I5/I8	DS-2CD2T45FWD-I5/I8	DS-2CD2T55FWD-I5/I8	DS-2CD2T85FWD-I5/I8(B)	DS-2CD4B26FWD-IZS
Image Sensor	1/2.8" Progressive Scan CMOS	1/2.5" Progressive Scan CMOS	1/2.9" Progressive Scan CMOS	1/2.5" Progressive Scan CMOS	1/1.8" Progressive Scan CMOS
Min. Illumination(Color)	Color: 0.005 Lux @ (F1.2, AGC ON), 0 Lux with IR Color: 0.009 Lux @ (F1.6, AGC ON), 0 Lux with IR	Color: 0.008 lux @ (F1.2, AGC ON), 0.014 lux @ (F1.6, AGC ON), 0 lux with IR	Color: 0.01 Lux @ (F1.2; AGC ON), 0.028 Lux @ (F2.0; AGC ON), 0 lux with IR	Color: 0.008 Lux @ (F1.2, AGC ON), 0.014 Lux @ (F1.6, AGC ON)	0.002 Lux @ (F1.2, AGC ON)
Lens option	2.8/4/6/8/12 mm	2.8, 4, 6, 8, 12 mm	2.8/4/6/8/12 mm	2.8/4/6 mm	2.8-12mm
Horizontal Angle of View	2.8 mm, horizontal field of view: 108° 4 mm, horizontal field of view: 86.4° 6 mm, horizontal field of view: 52° 8 mm, horizontal field of view: 41° 12 mm, horizontal field of view: 25°	2.8 mm, horizontal FOV: 109°, vertical FOV: 60°, diagonal FOV: 131° 4 mm, horizontal FOV: 88°, vertical FOV: 46°, diagonal FOV: 105° 6 mm, horizontal FOV: 53°, vertical FOV: 30°, diagonal FOV: 61° 8 mm, horizontal FOV: 41°, vertical FOV: 23°, diagonal FOV: 48° 12 mm, horizontal FOV: 25°, vertical FOV: 14°, diagonal FOV: 29°	2.8 mm, horizontal field of view: 97° 4 mm, horizontal field of view: 78° 6 mm, horizontal field of view: 60° 8 mm, horizontal field of view: 39.5° 12 mm, horizontal field of view: 19°	79°	90.1° ~ 31°
Video Compression	Main stream: H.265/H.264 Sub stream: H.265/H.264/MJPEG Third stream: H.265/H.264	Main stream: H.265+/H.265/H.264+/H.264 Sub stream: H.265+/H.265/H.264+/H.264/MJPEG Third stream: H.265+/H.265/H.264+/H.264	Main stream: H.265/H.264 Sub stream: H.265/H.264/MJPEG Third stream: H.265/H.264	Main stream: H.265/H.264 Sub stream: H.265/H.264/MJPEG Third stream: H.265/H.264	H.265+/H.265/H.264/MJPEG
Max. Image Resolution	1920 × 1080	2688 × 1520	2944 × 1656	3840 × 2160	1920 × 1080
WDR	120dB	120dB	120dB	120dB	120dB
Operations Conditions	-30 °C to +60 °C (-22 °F to +140 °F), Humidity 95% or less (non-condensing)	Temperature: -30 °C to +60 °C (-22 °F to +140 °F), Humidity 95% or less (non-condensing)	-30 °C to +60 °C (-22 °F to +140 °F), Humidity 95% or less (non-condensing)	-30 °C – 60 °C (-22 °F – 140 °F), Humidity 95% or less (non-condensing), -H: -40 °C – 60 °C	-30 °C – 60 °C (-22 °F – 140 °F), Humidity 95% or less (non-condensing)
Power Supply	12 VDC ± 25%, PoE(802.3af 36 – 57 V, class 3)	12 VDC ± 25%, Φ 5.5 mm coaxial plug power PoE(802.3af, class 3)	12 VDC ± 25%, PoE(802.3af 36 – 57V, class 3)	12 VDC ± 25%, 5.5 mm coaxial power plug PoE (802.3af, class 3)	12 V DC ± 20%, PoE (802.3at, class 4)
Consumption	-I5: 12 VDC ± 25%, 7 W; PoE, 9 W -I8: 12 VDC ± 25%, 10 W; PoE, 12.5 W	I5: 12 VDC, 0.7 A, max. 7.5 W PoE (802.3af, 36V to 57V), 0.3 A to 0.1 A, max. 9.5 W I8: 12 VDC, 1 A, max: 11.5 W PoE (802.3af, 36V to 57V), 0.4 A to 0.2 A, max. 12.9 W	-I5: 12 VDC ± 25%, 7 W; PoE, 9 W -I8: 12 VDC ± 25%, 10 W; PoE, 12.5 W	-I5: 12 VDC, 0.7 A, max: 9 W PoE: (802.3af, 36 VDC to 57 VDC), 0.3 A to 0.1 A, max: 11 W -I8: 12 VDC, 1 A, max: 11 W PoE: (802.3af, 36 VDC to 57 VDC), 0.4 A to 0.1 A, max: 12.9 W	12 V DC ± 20%: Max. 11.25 W/0.94 A PoE (802.3at): Max. 15 W/0.31 A
IR Range	-I5: up to 50 m -I8: up to 80 m	I5: Up to 50 m I8: Up to 80 m	-I5: up to 50 m -I8: up to 80 m	80m	30m
Weatherproof	IP67	IP67	IP67	IP67	IP67
Protection level	-	-	-	-	-
Audio Input/Output	-	-	-	-	1/1
Alarm Input/Output	-	-	-	-	1/1

VARI-FOCAL DOME CAMERA



Short Description	2.0 MP Ultra Low Light Smart Dome Camera	2.0 MP Ultra Low Light Smart Dome Camera
Model	DS-2CD4D26FWD-IZM	DS-2CD4D26FWD-IZS
Image Sensor	1/1.8" Progressive Scan CMOS	1/1.8" Progressive Scan CMOS
Min. Illumination(Color)	Color: 0.002 Lux @ (F1.2, AGC ON), 0.0027 Lux @ (F1.4, AGC ON), 0 Lux with IR B/W: 0.0002 Lux @ (F1.2, AGC ON), 0.00027 Lux @ (F1.4, AGC ON), 0 Lux with IR	0.002 Lux @ (F1.2, AGC ON)
Lens option	2.8 – 12 mm F1.4	2.8-12mm
Horizontal Angle of View	horizontal angle of view 90.1° - 31°90.1° ~ 31°	90.1° ~ 31°
Video Compression	H.265+/H.265/H.264/MJPEG	H.265+/H.265/H.264/MJPEG
Max. Image Resolution	1920 × 1080	1920 × 1080
WDR	120dB	120dB
Operations Conditions	-30 °C – 60 °C [-22 °F – 140 °F], Humidity 95% or less (non-condensing)	-30 °C – 60 °C [-22 °F – 140 °F], Humidity 95% or less (non-condensing)
Power Supply	12 V DC ± 20%, PoE (802.3af, class 3)Terminal block for DC input	12 V DC ± 20%, PoE (802.3af, class 3)Terminal block for DC input
Consumption	12 V DC ± 20%: max. 9W/0.75APoE (802.3af): max. 10W/0.21A	12 V DC ± 20%: max. 9W/0.75APoE (802.3af): max. 10W/0.21A
IR Range	10 m to 30 m	30 m
Weatherproof	IP66	IP66
Protection level	-	-
Audio Input/Output		1/1
Alarm Input/Output		2/2

FIXED BULLET CAMERA



FIXED DOME CAMERA



FIXED TURRET CAMERA



Short Description	2 MP CMOS Network Bullet Camera	2 MP CMOS Network Dome Camera	2 MP CMOS Network Turret Camera
Model	DS-2CD1021-I(D)	DS-2CD1121-I(D)	DS-2CD1321-I(D)
Image Sensor	1/2.8" progressive scan CMOS	1/2.8" progressive scan CMOS	1/2.8" progressive scan CMOS
Min. Illumination(Color)	Color: 0.01 Lux @(F1.2, AGC ON), 0 Lux with IR	Color: 0.01 Lux @(F1.2, AGC ON), 0 Lux with IR	Color: 0.01 Lux @(F1.2, AGC ON), 0 Lux with IR
Lens option	2.8mm/4mm	2.8mm/4mm	2.8mm
Horizontal Angle of View	105.8°/83.6°	105°/84°	2.8 mm @F2.0, Horizontal field of view 95°
Video Compression	H.264+/H.264/MJPEG	H.264+/H.264/MJPEG	Main stream: H.264+/H.264, Sub stream: H.264/MJPEG
Max. Image Resolution	1920 × 1080	1920 × 1080	1920 × 1080
WDR	Digital WDR	Digital WDR	Digital WDR
Operations Conditions	-30 °C to 60 °C (-22 °F to 140 °F), humidity: 95% or less (non-condensing)	-30 °C to 60 °C (-22 °F to 140 °F), humidity: 95% or less (non-condensing)	-30 °C to 60 °C (-22 °F to 140 °F), humidity: 95% or less (non-condensing)
Power Supply	12 VDC ± 25%, PoE (802.3af)	12 VDC ± 25%, PoE (802.3af)	12 VDC ± 25%, PoE (802.3af)
Consumption	Max. 5 W/6.5 W (PoE)	Max. 5 W	Max. 4 W/6 W (PoE)
IR Range	Up to 30 m	Up to 30 m	Up to 30 m
Weatherproof	IP67	IP67	IP67
Protection level	-	IK10	-
Audio Input/Output	-	-	-
Alarm Input/Output	-	-	-

FIXED DOME CAMERA



NEW



NEW

FIXED TURRET CAMERA



NEW



NEW

VARI-FOCAL BULLET CAMERA



NEW

Short Description	2 MP IR Fixed Dome Network Camera	4 MP IR Fixed Dome Network Camera	2 MP IR Fixed Turret Network Camera	4 MP IR Fixed Turret Network Camera	AcuSense 2 MP IR Varifocal Bullet Network Camera
Model	DS-2CD2126G1-I(S)	DS-2CD2146G1-I(S)	DS-2CD2326G1-I	DS-2CD2346G1-I	DS-2CD2626G1-IZ(S)
Image Sensor	1/2.8" Progressive Scan CMOS	1/2.7" Progressive Scan CMOS	1/2.8" Progressive Scan CMOS	1/2.7" Progressive Scan CMOS	1/2.8" Progressive Scan CMOS
Min. Illumination(Color)	Color: 0.005 Lux @ (F1.2, AGC ON), 0.009 Lux @ (F1.6, AGC ON)	Color: 0.007 Lux @ (F1.2, AGC ON), 0.012 Lux @ (F1.6, AGC ON)	0.005 Lux @ (F1.2, AGC ON), 0.009 Lux @ (F1.6, AGC ON)	0.007 Lux @ (F1.2, AGC ON), 0.012 Lux @ (F1.6, AGC ON)	Color: 0.005 Lux @ (F1.2, AGC ON), 0.007 Lux @ (F1.4, AGC ON), 0 Lux with IR
Lens option	2.8 mm	2.8 mm	2.8 mm	2.8 mm	2.8 mm to 12 mm
Horizontal Angle of View	2.8 mm, horizontal FOV: 108°, vertical FOV: 58°, diagonal FOV: 128°	2.8 mm, horizontal FOV: 104°, vertical FOV: 58°, diagonal FOV: 124°	2.8 mm, horizontal FOV: 108°, vertical FOV: 58°, diagonal FOV: 128°	2.8 mm, horizontal FOV: 104°, vertical FOV: 58°, diagonal FOV: 124°	Horizontal FOV: 113° to 32°, vertical FOV: 59° to 18°, diagonal FOV: 137° to 37°
Video Compression	Main stream: H.265/H.264Sub stream: H.265/H.264/MJPEG	Main stream: H.265/H.264Sub stream: H.265/H.264/MJPEG	Main stream: H.265/H.264Sub stream: H.265/H.264/MJPEG	Main stream: H.265/H.264Sub stream: H.265/H.264/MJPEG	Main stream: H.265/H.264 Sub stream: H.265/H.264/MJPEG
Max. Image Resolution	1920 × 1080	2688 × 1520	1920 × 1080	2688 × 1520	1920 × 1080
WDR	120dB	120dB	120dB	120dB	120dB
Operations Conditions	-30 °C to +50 °C (-22 °F to +122 °F), humidity 95% or less (non-condensing)	-30 °C to +50 °C (-22 °F to +122 °F), humidity 95% or less (non-condensing)	-30 °C to +60 °C (-22 °F to +140 °F), humidity 95% or less (non-condensing)	-30 °C to +50 °C (-22 °F to +122 °F), humidity 95% or less (non-condensing)	-30 °C to +60 °C (-22 °F to +140 °F), Humidity 95% or less (non-condensing)
Power Supply	12 VDC ± 25%, 5.5 mm coaxial power plugPoE (802.3af, class 3)	12 VDC ± 25%, 5.5 mm coaxial power plugPoE (802.3af, class 3)	12 VDC ± 25%, 5.5 mm coaxial power plugPoE (802.3af, class 3)	12 VDC ± 25%, 5.5 mm coaxial power plugPoE (802.3af, class 3)	12 VDC ± 25%, 5.5 mm coaxial power plug PoE (802.3at, class 4)
Consumption	12 VDC, 0.6 A, max: 7 WPoE: (802.3af, 36 V to 57 V), 0.2 A to 0.1 A, max: 8.5 W	12 VDC, 0.7 A, max: 8.5 WPoE (802.3af, 36 V to 57 V), 0.3 A to 0.2 A, max: 10 W	12 VDC, 0.6 A, max: 7 WPoE: (802.3af, 36 V to 57 V), 0.2 A to 0.1 A, max: 8.5 W	12 VDC, 0.7 A, max: 8.5 WPoE: (802.3af, 36 V to 57 V), 0.3 A to 0.2 A, max: 10 W	12 VDC, 1.3 A, max. 15.5 W PoE: (802.3at, 42.5 VDC to 57 VDC), 0.5 A to 0.3 A, max. 19 W
IR Range	Up to 30 m	Up to 30 m	Up to 50 m	Up to 50 m	Up to 50 m
Weatherproof	IP67	IP67	IP67	IP67	
Protection level	IK10	IK10	-	-	IP67, IK10
Audio Input/Output	1/1	1/1	-	-	1 audio input (line in), 1 audio output (line out), mono sound
Alarm Input/Output	1/1	1/1	-	-	1 alarm input, 1 alarm output



VARI-FOCAL DOME CAMERA



FIXED BULLET CAMERA

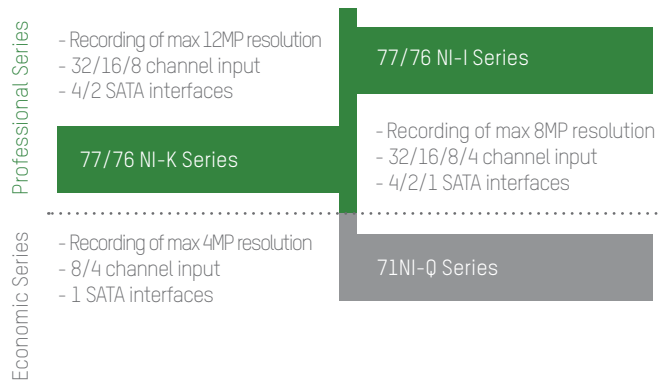


Short Description	AcuSense 4 MP IR Varifocal Bullet Network Camera	AcuSense 2 MP IR Varifocal Dome Network Camera	AcuSense 4 MP IR Varifocal Dome Network Camera	2 MP IR Fixed Bullet Network Camera	4 MP IR Fixed Bullet Network Camera
Model	DS-2CD264661-IZ(S)	DS-2CD2726G1-IZ(S)	DS-2CD2746G1-IZ(S)	DS-2CD2T26G1-2I/4I	DS-2CD2T46G1-2I/4I
Image Sensor	1/2.7" Progressive Scan CMOS	1/2.8" Progressive Scan CMOS	1/2.7" Progressive Scan CMOS	1/2.8" Progressive Scan CMOS	1/2.7" Progressive Scan CMOS
Min. Illumination(Color)		Color: 0.005 Lux @ (F1.2, AGC ON), 0.007 Lux @ (F1.4, AGC ON), 0 Lux with IR	Color: 0.007 Lux @ (F1.2, AGC ON), 0.01 Lux @ (F1.4, AGC ON), 0 Lux with IR	0.005 Lux @ (F1.2, AGC ON), 0.009 Lux @ (F1.6, AGC ON)	0.007 Lux @ (F1.2, AGC ON), 0.012 Lux @ (F1.6, AGC ON)
Lens option	2.8 mm to 12 mm	2.8 mm to 12 mm	2.8 mm to 12 mm	2.8 mm	2.8 mm
Horizontal Angle of View	Horizontal FOV: 101° to 29°, vertical FOV: 54° to 16°, diagonal FOV: 121° to 34°	Horizontal FOV: 113° to 32°, vertical FOV: 59° to 18°, diagonal FOV: 137° to 37°	Horizontal FOV: 101° to 29°, vertical FOV: 54° to 16°, diagonal FOV: 121° to 34°	2.8 mm, horizontal FOV: 108°, vertical FOV: 58°, diagonal FOV: 128°	2.8 mm, horizontal FOV: 104°, vertical FOV: 58°, diagonal FOV: 124°
Video Compression	Main stream: H.265/H.264 Sub stream: H.265/H.264/MJPEG	Main stream: H.265/H.264 Sub stream: H.265/H.264/MJPEG	Main stream: H.265/H.264 Sub stream: H.265/H.264/MJPEG	Main stream: H.265/H.264Sub stream: H.265/H.264/MJPEG	Main stream: H.265/H.264Sub stream: H.265/H.264/MJPEG
Max. Image Resolution	2688 × 1520	1920 × 1080	2688 × 1520	1920 × 1080	2688 × 1520
WDR	120dB	120dB	120dB	120dB	120dB
Operations Conditions	-30 °C to +60 °C (-22 °F to +140 °F), Humidity 95% or less (non-condensing)	-30 °C to +60 °C (-22 °F to +140 °F), Humidity 95% or less (non-condensing)	-30 °C to +60 °C (-22 °F to +140 °F), Humidity 95% or less (non-condensing)	-30 °C to +60 °C (-22 °F to +140 °F), humidity 95% or less (non-condensing)	-30 °C to +50 °C (-22 °F to +122 °F), humidity 95% or less (non-condensing)
Power Supply	12 VDC ± 25%, 5.5 mm coaxial power plug PoE (802.3at, class 4)	12 VDC ± 25%, 5.5 mm coaxial power plug PoE (802.3at, class 3)	12 VDC ± 25%, 5.5 mm coaxial power plug PoE (802.3at, class 3)	12 VDC ± 25%, 5.5 mm coaxial power plugPoE (802.3at, class 4)	12 VDC ± 25%, 5.5 mm coaxial power plugPoE (802.3at, class 4)
Consumption	12 VDC, 1.3 A, max. 15.5 W PoE: (802.3at, 42.5 VDC to 57 VDC), 0.5 A to 0.3 A, max. 19 W	12 VDC, 0.9 A, max. 11 W PoE: (802.3af, 36 VDC to 57 VDC), 0.4 A to 0.2 A, max. 12.9 W	12 VDC, 0.9 A, max. 11 W PoE: (802.3af, 36 VDC to 57 VDC), 0.4 A to 0.2 A, max. 12.9 W	-2I: 12 VDC, 0.9 A, max: 10 W PoE: (802.3at, 42.5 V to 57 V), 0.3A to 0.1A, max: 12.5 W-4I:12 VDC, 1.2 A, max: 14 W PoE: (802.3at, 42.5 V to 57 V), 0.4A to 0.1A, max: 17 W	-2I: 12 VDC, 0.9 A, Max: 10.5 W PoE: (802.3at, 42.5 V to 57 V), 0.3A to 0.1A, Max: 13 W-4I:12 VDC, 1.2 A, Max: 14 W PoE: (802.3at, 42.5 V to 57 V), 0.4A to 0.1A, Max: 17 W
IR Range	Up to 50 m	Up to 30 m	Up to 30 m	-2I: 2LEDs, up to 50 m-4I: 4LEDs, up to 80 m	-2I: 2LEDs, up to 50 m-4I: 4LEDs, up to 80 m
Weatherproof				IP67	IP67
Protection level	IP67, IK10	IP67, IK10	IP67, IK10	-	-
Audio Input/Output	1 audio input (line in), 1 audio output (line out), mono sound	1 audio input (line in), 1 audio output (line out), mono sound	1 audio input (line in), 1 audio output (line out), mono sound	-	-
Alarm Input/Output	1 alarm input, 1 alarm output	1 alarm input, 1 alarm output	1 alarm input, 1 alarm output	-	-

IP NETWORK VIDEO RECORDERS (NVRs)

Hikvision offers a wide range of NVRs, from the 4-channel to 32-channel, 1HDD to 4HDD, 4MP to 12MP in professional series. They offer IP camera monitoring, recording and playback, whatever the requirement.

GENERAL NVR PRODUCT LINE



1U CHASSIS



Short Description	DS-7600NI-K1 Series NVR	DS-7600NI-K1/4P SERIES NVR	DS-7600NI-K2 SERIES NVR	DS-7600NI-K2/P SERIES NVR
Model	DS-7600NI-K1	DS-7600NI-K1/4P	DS-7600NI-K2	DS-7600NI-K2/16P
IP video input	4-ch	4-ch	8-ch	16-ch
Incoming bandwidth	40 Mbps	40 Mbps	80 Mbps	160 Mbps
Outgoing bandwidth	80 Mbps	80 Mbps	160 Mbps	160 Mbps
Recording resolution	8MP/6MP/5MP/4MP/3MP/1080p/UXGA/720p/VGA/4CIF/DCIF/2CIF/CIF/QCIF	8MP/6MP/5MP/4MP/3MP/1080p/UXGA/720p/VGA/4CIF/DCIF/2CIF/CIF/QCIF	8MP/6MP/5MP/4MP/3MP/1080p/UXGA/720p/VGA/4CIF/DCIF/2CIF/CIF/QCIF	8MP/6MP/5MP/4MP/3MP/1080p/UXGA/720p/VGA/4CIF/DCIF/2CIF/CIF/QCIF
HDMI output	1-ch, 4K (3840 × 2160)/30Hz, 1920 × 1080p/60Hz, 1600 × 1200/60Hz, 1280 × 1024/60Hz, 1280 × 720/60Hz, 1024 × 768/60Hz; HDMI/VGA simultaneous output	1-ch, 4K (3840 × 2160)/30Hz, 1920 × 1080p/60Hz, 1600 × 1200/60Hz, 1280 × 1024/60Hz, 1280 × 720/60Hz, 1024 × 768/60Hz; HDMI/VGA simultaneous output	4K (3840 × 2160)/30Hz, 2K (2560 × 1440)/60Hz, 1920 × 1080/60Hz, 1600 × 1200/60Hz, 1280 × 1024/60Hz, 1280 × 720/60Hz, 1024 × 768/60Hz	4K (3840 × 2160)/30Hz, 2K (2560 × 1440)/60Hz, 1920 × 1080/60Hz, 1600 × 1200/60Hz, 1280 × 1024/60Hz, 1280 × 720/60Hz, 1024 × 768/60Hz
VGA output	1-ch, 1920 × 1080p/60Hz, 1600 × 1200/60Hz, 1280 × 1024/60Hz, 1280 × 720/60Hz, 1024 × 768/60Hz; HDMI/VGA simultaneous output	1-ch, 1920 × 1080p/60Hz, 1600 × 1200/60Hz, 1280 × 1024/60Hz, 1280 × 720/60Hz, 1024 × 768/60Hz; HDMI/VGA simultaneous output	1920 × 1080/60Hz, 1280 × 1024/60Hz, 1280 × 720/60Hz, 1024 × 768/60Hz	1920 × 1080/60Hz, 1280 × 1024/60Hz, 1280 × 720/60Hz, 1024 × 768/60Hz
Audio output	1-ch, RCA (Linear, 1 KΩ)	1-ch, RCA (Linear, 1 KΩ)	1-ch, RCA (Linear, 1 KΩ)	1-ch, RCA (Linear, 1 KΩ)
Decoding format	H.265/H.265+/H.264/H.264+/MPEG4	H.265/H.265+/H.264/H.264+/MPEG4	H.265/H.265+/H.264/H.264+/MPEG4	H.265/H.265+/H.264/H.264+/MPEG4
Capability	1-ch @ 8 MP / 4-ch @ 1080p	1-ch @ 8 MP / 4-ch @ 1080p	2-ch @ 8 MP (25fps) / 4-ch @ 4MP (30fps) / 8-ch @ 1080p (30fps)	2-ch @ 8 MP (25fps) / 4-ch @ 4MP (30fps) / 8-ch @ 1080p (30fps)
SATA	1 SATA interface	1 SATA interface	2 SATA interfaces for 2 HDDs	2 SATA interfaces for 2 HDDs
Capacity	Up to 6TB capacity for each disk	Up to 6TB capacity for each disk	Up to 6TB capacity for each HDD	Up to 6TB capacity for each HDD
Network interface	1, RJ-45 10/100/1000 Mbps self-adaptive Ethernet interface	1, RJ-45 10/100/1000 Mbps self-adaptive Ethernet interface	1, RJ-45 10/100/1000 Mbps self-adaptive Ethernet interface	1 RJ-45 10/100/1000 Mbps self-adaptive Ethernet interface
USB interface	2 × USB 2.0	2 × USB 2.0	Front panel: 1 × USB 2.0; Rear panel: 1 × USB 3.0	Front panel: 1 × USB 2.0; Rear panel: 1 × USB 3.0
Alarm in/out			4/1	4/1
Power supply	12 VDC, ≤ 18W	48 VDC, ≤ 65 W	12 VDC	100 to 240 VAC
Consumption(without hard disk or DVD-R/W)	≤ 10 W	≤ 10 W (without enabling PoE)	≤ 15 W	≤ 15 W
Working temperature	-10 to +55° C (+14 to +131° F)	-10 to +55° C (14 to 131° F)	-10 to +55° C (14 to 131° F)	-10 to +55° C (14 to 131° F)
Working humidity	10 to 90 %	10 to 90 %	10 to 90 %	10 to 90 %
Dimensions(W × D × H)	315 × 240 × 48 mm (12.4" × 9.4" × 1.9")	315 × 240 × 48 mm (12.4" × 9.4" × 1.9")	385 × 315 × 52 mm (15.2" × 12.4" × 2.0")	385 × 315 × 52 mm (15.2" × 12.4" × 2.0")



1.5U CHASSIS



Short Description	DS-7600NI-K2/P SERIES NVR	DS-7700NI-K4 SERIES NVR	DS-7700NI-K4/P SERIES NVR
Model	DS-7600NI-K2/8P	DS-7700NI-K4	DS-7700NI-K4/16P
IP video input	8-ch	16-ch	16-ch
Incoming bandwidth	80 Mbps	160 Mbps	160 Mbps
Outgoing bandwidth	160 Mbps	160 Mbps	160 Mbps
Recording resolution	8MP/6MP/5MP/4MP/3MP/1080p/UXGA/720p/VGA/4CIF/D CIF/2CIF/CIF/QCIF	8MP/6MP/5MP/4MP/3MP/1080p/UXGA/720p/VGA/4CIF/ DCIF/2CIF/CIF/QCIF	8MP/6MP/5MP/4MP/3MP/1080p/UXGA/720p/VGA/4CIF/ DCIF/2CIF/CIF/QCIF
HDMI output	4K (3840 × 2160)/30Hz, 2K (2560 × 1440)/60Hz, 1920 × 1080/60Hz, 1600 × 1200/60Hz, 1280 × 1024/60Hz, 1280 × 720/60Hz, 1024 × 768/60Hz	4K (3840 × 2160)/30Hz, 2K (2560 × 1440)/60Hz, 1920 × 1080/60Hz, 1600 × 1200/60Hz, 1280 × 1024/60Hz, 1280 × 720/60Hz, 1024 × 768/60Hz	4K (3840 × 2160)/30Hz, 2K (2560 × 1440)/60Hz, 1920 × 1080/60Hz, 1600 × 1200/60Hz, 1280 × 1024/60Hz, 1280 × 720/60Hz, 1024 × 768/60Hz
VGA output	1920 × 1080/60Hz, 1280 × 1024/60Hz, 1280 × 720/60Hz, 1024 × 768/60Hz	1920 × 1080/60Hz, 1280 × 1024/60Hz, 1280 × 720/60Hz, 1024 × 768/60Hz	1920 × 1080/60Hz, 1280 × 1024/60Hz, 1280 × 720/60Hz, 1024 × 768/60Hz
Audio output	1-ch, RCA (Linear, 1 KΩ)	1-ch, RCA (Linear, 1 KΩ)	1-ch, RCA (Linear, 1 KΩ)
Decoding format	H.265/H.265+/H.264/H.264+/MPEG4	H.265/H.265+/H.264+/H.264/MPEG4	H.265/H.265+/H.264+/H.264/MPEG4
Capability	2-ch @ 8 MP (25fps) / 4-ch @ 4MP (30fps) / 8-ch @ 1080p (30fps)	2-ch @ 8 MP (25fps) / 4-ch @ 4MP (30fps) / 8-ch @ 1080p (30fps)	2-ch @ 8 MP (25fps) / 4-ch @ 4MP (30fps) / 8-ch @ 1080p (30fps)
SATA	2 SATA interfaces for 2 HDDs	4 SATA interfaces for 4 HDDs	4 SATA interfaces for 4 HDDs
Capacity	Up to 6TB capacity for each HDD	Up to 6TB capacity for each HDD	Up to 6TB capacity for each HDD
Network interface	1 RJ-45 10/100/1000 Mbps self-adaptive Ethernet interface	2 RJ-45 10/100/1000 Mbps self-adaptive Ethernet interfaces	2 RJ-45 10/100/1000 Mbps self-adaptive Ethernet interfaces
USB interface	Front panel: 1 × USB 2.0; Rear panel: 1 × USB 3.0	Front panel: 2 × USB 2.0; Rear panel: 1 × USB 3.0	Front panel: 2 × USB 2.0; Rear panel: 1 × USB 3.0
Alarm in/out	4/1	16/4	16/4
Power supply	100 to 240 VAC	100 to 240 VAC	100 to 240 VAC
Consumption(without hard disk or DVD-R/W)	≤ 15 W	≤ 20 W	≤ 20 W
Working temperature	-10 to +55° C (14 to 131° F)	-10 to +55°C (14 to 131°F)	-10 to +55°C (14 to 131°F)
Working humidity	10 to 90 %	10 to 90 %	10 to 90 %
Dimensions(W × D × H)	385 × 315 × 52 mm (15.2" × 12.4" × 2.0")	445 × 400 × 71 mm (17.5" × 15.7" × 2.8")	445 × 400 × 71 mm (17.5" × 15.7" × 2.8")

1U CHASSIS



1.5U CHASSIS



Short Description	DS-7600NI-I2 SERIES NVR	DS-7600NI-I2/P SERIES NVR	DS-7600NI-I2/P SERIES NVR	DS-7700NI-I4 SERIES NVR
Model	DS-7600NI-I2	DS-7600NI-I2/16P	DS-7600NI-I2/8P	DS-7700NI-I4(B)
IP video input	8-ch	16-ch	8-ch	
Incoming bandwidth	80 Mbps	160 Mbps	80 Mbps	80 Mbps
Outgoing bandwidth	256 Mbps	256 Mbps	256 Mbps	256 Mbps
Recording resolution	12MP/8MP/6MP / 5MP/4MP/3MP / 1080P/UXGA/720P/VGA/4CIF/DCIF/2CIF/CIF/QCIF	12MP/8MP/6 MP/5 MP/4MP/3MP/1080p/UXGA/720p /VGA/4CIF /DCIF/2CIF/CIF/QCIF	12MP/8MP/6MP/5 MP/4MP/3MP/1080p/UXGA/720p/VGA/4CIF /DCIF/2CIF/CIF/QCIF	12MP/8MP/6 MP/5 MP/4MP/3MP/1080p/UXGA/720p/VGA/4CIF/DCIF/2CIF/CIF/QCIF
HDMI output	4K (3840 × 2160)/60Hz, 4K (3840 × 2160)/30Hz, 1920 × 1080p/60Hz, 1600 × 1200/60Hz, 1280 × 1024/60Hz, 1280 × 720/60Hz, 1024 × 768/60Hz	4K (3840 × 2160)/60Hz, 4K (3840 × 2160)/30Hz, 2K (2560 × 1440)/60Hz, 1920 × 1080p/60Hz, 1600 × 1200/60Hz, 1280 × 1024/60Hz, 1280 × 720/60Hz, 1024 × 768/60Hz	4K (3840 × 2160)/60Hz, 4K (3840 × 2160)/30Hz, 2K (2560 × 1440)/60Hz, 1920 × 1080p/60Hz, 1600 × 1200/60Hz, 1280 × 1024/60Hz, 1280 × 720/60Hz, 1024 × 768/60Hz	4K (3840 × 2160)/60Hz, 4K (3840 × 2160)/30Hz, 1920 × 1080p/60Hz, 1600 × 1200/60Hz, 1280 × 1024/60Hz, 1280 × 720/60Hz, 1024 × 768/60Hz
VGA output	1920 × 1080p/60Hz, 1280 × 1024/60Hz, 1280 × 720/60Hz, 1024 × 768/60Hz	1920 × 1080p/60Hz, 1280 × 1024/60Hz, 1280 × 720/60Hz, 1024 × 768/60Hz	1920 × 1080p/60Hz, 1280 × 1024/60Hz, 1280 × 720/60Hz, 1024 × 768/60Hz	2K (2560×1440) /60Hz, 1920 × 1080p/60Hz, 1280 × 1024/60Hz, 1280 × 720/60Hz, 1024 × 768/60Hz, HDMI1/VGA Simultaneous Output
Audio output	1-ch, RCA (Linear, 1 KΩ)	1-ch, RCA (Linear, 1 KΩ)	1-ch, RCA (Linear, 1 KΩ)	1-ch, RCA (Linear, 1 KΩ)
Decoding format	H.265/ H.265+ /H.264/H.264+ /MPEG4	H.265/H.265+ /H.264/H.264+ /MPEG4	H.265/H.265+ /H.264/H.264+ /MPEG4	H.265/H.265+ /H.264/H.264+ /MPEG4
Capability	2-ch @ 4K, or 8-ch @ 1080p	4-ch @ 4K, or 16-ch @ 1080p	2-ch @ 8 MP, or 8-ch @ 1080p	2-ch @ 12 MP (20fps) / 4-ch @ 8 MP (25fps) / 8-ch @ 4MP (30fps) / 16-ch @ 1080p (30fps)
SATA	2 SATA interfaces for 2 HDDs	2 SATA interfaces for 2 HDDs	2 SATA interfaces for 2 HDDs	4 SATA interfaces for 4 HDDs
Capacity	Up to 6TB capacity for each HDD	Up to 6TB capacity for each HDD	Up to 6TB capacity for each HDD	Up to 8TB capacity for each HDD
Network interface	1 RJ-45 10/100/1000 Mbps self-adaptive Ethernet interface	1 RJ-45 10/100/1000 Mbps self-adaptive Ethernet interface	1 RJ-45 10/100/1000 Mbps self-adaptive Ethernet interface	2 RJ-45 10/100/1000 Mbps self-adaptive Ethernet interfaces
USB interface	Front panel: 1 × USB 2.0; Rear panel: 1 × USB 3.0	Front panel: 1 × USB 2.0; Rear panel: 1 × USB 3.0	Front panel: 1 × USB 2.0; Rear panel: 1 × USB 3.0	Front panel: 2 × USB 2.0; Rear panel: 1 × USB 3.0
Alarm in/out	4/1	4/1	4/1	16/4
Power supply	12 VDC	100 to 240 VAC, 50 to 60 Hz	100 to 240 VAC, 50 to 60 Hz	100 to 240 VAC
Consumption(without hard disk or DVD-R/W)	≤ 15 W	≤15 W	≤15 W	≤20 W
Working temperature	-10 to +55° C (+14 to +131° F)	-10 to +55° C (+14 to +131° F)	-10 to +55° C (+14 to +131° F)	-10 to +55° C (+14 to +131° F)
Working humidity	10 to 90 %	10 to 90 %	10 to 90 %	10 to 90 %
Dimensions(W × D × H)	385 × 315× 52 mm (15.2" × 12.4" × 2.0")	385 × 315× 52 mm (15.2" × 12.4" × 2.0")	385 × 315× 52 mm (15.2" × 12.4" × 2.0")	445 × 400 × 71 mm (17.5" × 15.7" × 2.8")

**NEW**

Short Description	DS-7700NI-I4/P SERIES NVR
Model	DS-7700NI-I4/16P
IP video input	16-ch
Incoming bandwidth	160 Mbps
Outgoing bandwidth	256 Mbps
Recording resolution	12MP/8 MP/6MP/5 MP/4MP/3MP/1080p/UXGA/720p/VGA/4CIF/DCIF/2CIF/CIF/QCIF
HDMI output	4K (3840 × 2160)/60Hz, 4K (3840 × 2160)/30Hz, 1920 × 1080p/60Hz, 1600 × 1200/60Hz, 1280 × 1024/60Hz, 1280 × 720/60Hz, 1024 × 768/60Hz
VGA output	1920 × 1080p/60Hz, 1280 × 1024/60Hz, 1280 × 720/60Hz, 1024 × 768/60Hz
Audio output	1-ch, RCA (Linear, 1 KΩ)
Decoding format	H.265/H.265+/H.264/H.264+/MPEG4
Capability	4-ch @ 4K, or 16-ch @ 1080p
SATA	4 SATA interfaces for 4 HDDs
Capacity	Up to 6TB capacity for each HDD
Network interface	1 RJ-45 10/100/1000 Mbps self-adaptive Ethernet interface
USB interface	Front panel: 2 × USB 2.0; Rear panel: 1 × USB 3.0
Alarm in/out	16/4
Power supply	100 to 240 VAC
Consumption(without hard disk or DVD-R/W)	≤20 W
Working temperature	-10 to +55° C (+14 to +131° F)
Working humidity	10 to 90 %
Dimensions(W × D × H)	445 × 400 × 71 mm (17.5" × 15.7" × 2.8")

1U CHASSIS



1.5U CHASSIS



Short Description	DS-7600NXI-I/P/S SERIES NVR	DS-7700NXI-I/S SERIES NVR
Model	DS-7600NXI-I/P/S	DS-7700NXI-I/S
IP video input		
Incoming bandwidth	160 Mbps	256 Mbps
Outgoing bandwidth	256 Mbps	200 Mbps
Recording resolution	12 MP/8 MP/6 MP/5 MP/4 MP/3 MP/1080p/UXGA/720p/VGA/4CIF/DCIF/2CIF/CIF/QCIF	12 MP/8 MP/6 MP/5 MP/4 MP/3 MP/1080p/UXGA/720p/VGA/4CIF/DCIF/2CIF/CIF/QCIF
HDMI output	4K (3840 × 2160)/30Hz, 1920 × 1080/60Hz, 1600 × 1200/60Hz, 1280 × 1024/60Hz, 1280 × 720/60Hz, 1024 × 768/60Hz 4K resolution is only available for HDMI.	4K (3840 × 2160)/30Hz, 1920 × 1080/60Hz, 1600 × 1200/60Hz, 1280 × 1024/60Hz, 1280 × 720/60Hz, 1024 × 768/60Hz 4K resolution is only available for HDMI.
VGA output	1920 × 1080/60Hz, 1600 × 1200/60Hz, 1280 × 1024/60Hz, 1280 × 720/60Hz, 1024 × 768/60Hz	1920 × 1080/60Hz, 1600 × 1200/60Hz, 1280 × 1024/60Hz, 1280 × 720/60Hz, 1024 × 768/60Hz
Audio output	1-ch, RCA (Linear, 1 KΩ)	1-ch, RCA (Linear, 1 KΩ)
Decoding format	H.265/H.265+/H.264/H.264+/MPEG4	H.265/H.265+/H.264/H.264+/MPEG4
Capability	12-ch @ 1080p	12-ch @ 1080p
SATA	2 SATA interfaces for four 3.5-inch HDDs	4 SATA interfaces for four 3.5-inch HDDs
Capacity	Up to 8 TB capacity for each HDD	Up to 8 TB capacity for each HDD
Network interface	1, RJ-45 10/100/1000 Mbps self-adaptive Ethernet interface	2, RJ-45 10/100/1000 Mbps self-adaptive Ethernet interface
USB interface	Front panel: 1 × USB 2.0; Rear panel: 1 × USB 3.0	Front panel: 2 × USB 2.0; Rear panel: 1 × USB 3.0
Alarm in/out	4/1	16/4
Power supply	100 to 240 VAC	100 to 240 VAC
Consumption(without hard disk or DVD-R/W)	≤ 15 W	≤ 80 W
Working temperature	-10 to +55° C (+14 to +131° F)	-10 to +55° C (+14 to +131° F)
Working humidity	10 to 90 %	10 to 90 %
Dimensions(W × D × H)	380 × 315 × 51.5 mm (15.0" × 12.4" × 2.0")	445 × 400 × 71 mm (17.5" × 15.7" × 2.8")



4K ULTRA HIGH DEFINITION
SHOWING CRYSTAL CLEAR DETAILS



MORE THAN WHAT YOU SEE

TURBO HD 5.0 SOLUTION

Ever since Hikvision introduced its Turbo HD technology back in 2013, security industry professionals have praised its amazing ability. The Turbo HD line transforms analogue CCTV video into high quality, high definition surveillance. It's more than an upgrade - it's revolutionary technology. Installers love it because they can install it using existing coaxial cable (and other wiring, too); business owners love it because it's cost-effective; and everyone who uses it loves it for its clear, sharp imaging, high reliability, and ease of use.

Each iteration of the Turbo HD product portfolio advances the technology to the next amazing level. Version 1.0 took analogue resolutions from 420 TVL up to Hi-Def 1080p - by nothing more than plugging old wires into new cameras and DVRs! Fast-forward a few years to version 4.0, where Turbo products sent analogue signals up to 8 MP and began using the H.265 high-efficiency codec; what's more, Hikvision's signature H.265+ codec maintains 4K video while cutting bandwidth and storage requirements down by as much as 87%!

01 4K ULTRA HD

Sharp, precise, clear video can make all the difference in critical surveillance situations, enabling security staff to quickly identify suspicious individuals, objects, and movement, and take the right action at the right time.

02 H.265+ SUPREME COMPRESSION

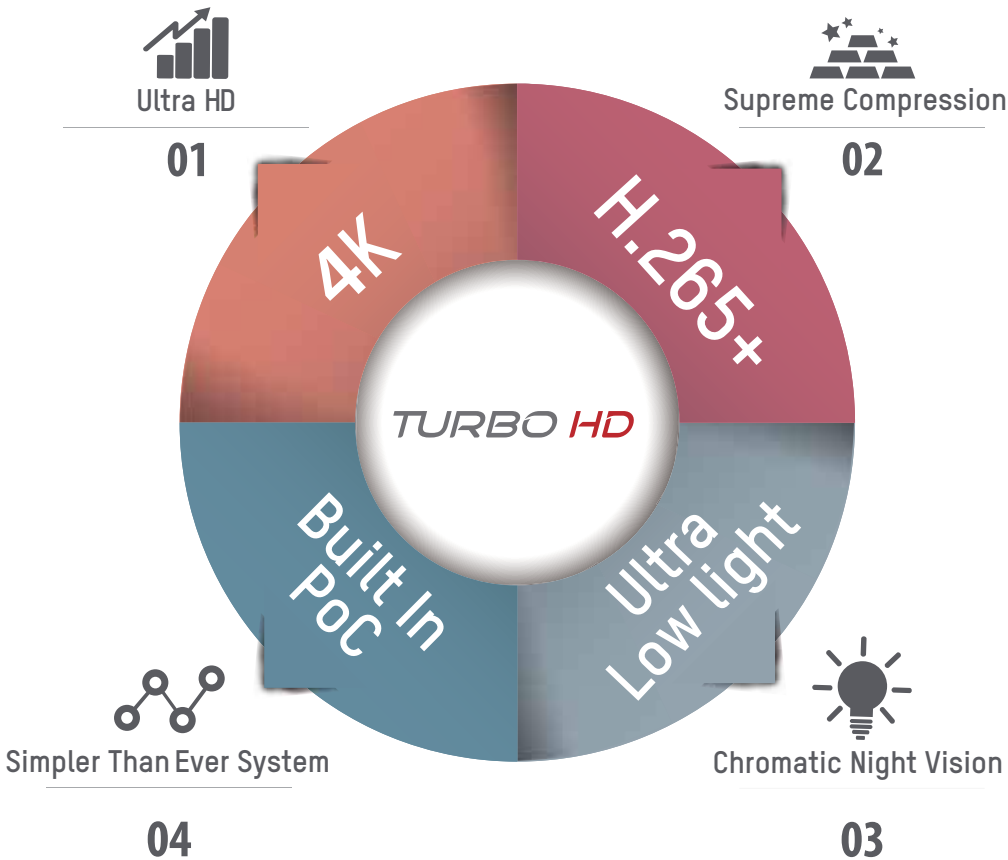
More than three years of research and accumulation empowered Hikvision to be the first to release H.265+ on an analogue system—a revolution for analogue. H.265+ takes a huge step up in efficiency over H.264—reducing bitrates by 75% on average while maintaining high transmission quality.

03 ULTRA-LOW LIGHT CHROMATIC NIGHT VISION

Ultra-low illumination cameras from Hikvision vastly improve the efficiency of night monitoring. High-definition 1080p displays come to life with the amazing ultra-low illumination surveillance cameras. With 120 dB WDR and built-in PoC function, these cameras offer users the most advanced security features available. Rest assured that you will see what's really there - in the shadows, at night, and under conditions that leave other cameras in the dark.

04 BUILT IN PoC SIMPLER THAN EVER SYSTEM

With Hikvision's Turbo HD 4.0 Solution, installers don't have to pull wire. Power-over-coax (POC) supplies the technology to use coaxial cable to integrate video and DC power. This innovation consists of a front-end POC camera and a back-end Turbo HD DVR, directly embedding the POC power supply into the back-end DVR device. It then transmits the video signal through the coaxial cable and solves the power supply problem for front-end equipment. Turbo HD 4.0 Solutions reduce the wiring area, save space and reduce the costs of labour.



TURBO HD CAMERAS

Our Turbo HD products are based on HDTV technology, an open standard enabling different products and technologies to be integrated into a single system. The products also offer many of the cutting-edge technologies on IP cameras - like Ultra-low light technology and vandal-proof capabilities.

The products are split into two series to maximise application flexibility: the Professional Series, with resolutions of up to 8MP, come in multiple form factors to suit every need; while the Economic Series brings a range of cameras for lower budget solutions.

CHOOSING YOUR CAMERA

8MP	U8T	Ultra-low light
5MP	H5T	Ultra-low light
	H0T	
1080P	D9T, D8T	Ultra-low light
	D0T	
720P	C0T	

FIXED BULLET CAMERA



Short Description	HD1080P IR Bullet Camera	HD1080P EXIR Bullet Camera	2 MP EXIR Bullet Camera	5 MP Bullet Camera	5 MP Bullet Camera
Model	DS-2CE16D0T-IRF	DS-2CE16D0T-IT3/5F	DS-2CE16D0T-IT3F	DS-2CE16H0T-IT3F	DS-2CE16H0T-IT5F
Image Sensor	2MP CMOS Image Sensor	2MP CMOS Image Sensor	2MP CMOS Image Sensor	5 MP CMOS image sensor	5 MP CMOS image sensor
Effective Pixels	1920(H)*1080(V)	1920(H)*1080(V)	1920(H)*1080(V)	2560 (H) × 1944 (V)	2560 (H) × 1944 (V)
Min. illumination	0.01 Lux @ (F1.2,AGC ON),0 Lux with IR	0.01 Lux @ (F1.2,AGC ON),0 Lux with IR	0.01 Lux@(F1.2,AGC ON),0 Lux with IR	0.01 Lux @ (F1.2, AGC ON), 0 Lux with IR	Color: 0.01 Lux @ (F1.2, AGC ON), 0 Lux with IR
Lens	2.8mm	3.6mm	3.6mm	2.8 mm	3.6 mm, 6 mm, 8 mm, 12 mm fixed lens
Day & Night	ICR	ICR	ICR	ICR	IR cut filter
Angle Adjustment	Pan: 0 - 360°, Tilt: 0 - 180°, Rotation: 0 - 360°	Pan: 0 - 360°, Tilt: 0 - 180°, Rotation: 0 - 360°	Pan: 0-360°, Tilt: 0-180°, Rotation: 0-360°	Pan: 0-360°; Tilt: 0-180°; Rotate: 0-360°	Pan: 0° to 360°; Tilt: 0° to 180°; Rotate: 0° to 360°
WDR				Digital WDR	
Video Frame Rate	1080p@25fps	1080p@25fps	1080p@25fps	5 MP@20fps, 4 MP@25fps, 1080p@25fps	PAL: 5 MP@20fps, 4 MP@25fps, 1080p@25fps NTSC: 5 MP@20fps, 4 MP@30fps, 1080p@30fps
HD Video Output	1 Analog HD output	1 Analog HD output	1 Analog HD output	1 Analog HD output	1 HD analog output
CVBS Output					
Operating Conditions	-40 °C – 60 °C (-40 °F – 140 °F), Humidity 90% or less (non-condensing)	-40 °C – 60 °C (-40 °F – 140 °F), Humidity 90% or less (non-condensing)	-40 °C to 60 °C (-40 °F to 140 °F), humidity: 90% or less (non-condensation)	-40 °C – 60 °C (-40 °F – 140 °F), Humidity 90% or less (non-condensing)	-40 °C to 60 °C (-40 °F to 140 °F), humidity: 90% or less (non-condensation)
Power Supply	12 VDC±15%	12 VDC±15%	12 V DC±15%	12 V DC ±25%	12 VDC ±25%
Power Consumption	Max. 4W	Max. 6W	Max. 4 W	Max. 4.3 W	Max. 5.2 W
Protection Level	IP66	IP66	IP66	IP67	IP67
IR Range	Up to 20m	Up to 80m	Up to 40 m	Up to 40 m	Up to 80 m
Dimensions	Φ 70×149.5mm (Φ 2.76"×5.89")	86.22×82.05×220.13mm(3.39"×3.23"×8.67")	86.7 mm × 81.6 mm × 226 mm (3.4" × 3.2" × 8.9")	86.7 mm × 81.6 mm × 226 mm (3.41" × 3.23" × 8.67")	86.7 mm × 81.6 mm × 226 mm (3.41" × 3.23" × 8.67")
Weight	400g	430 g (0.95 lbs)	430 g (0.95 lb.)	Approx. 680 g (1.5 lb.)	Approx. 680 g (1.5 lb.)

VARI-FOCAL BULLET CAMERA



Short Description	5 MP Bullet Camera	2 MP Vari-focal PoC Bullet Camera	2 MP IR Bullet Camera	5 MP Bullet Camera	5 MP Bullet Camera
Model	DS-2CE16H0T-ITF	DS-2CE16D0T-VFIR3E	DS-2CE16D0T-VFIR3F	DS-2CE16H0T-(A)IT3ZF	DS-2CE16H0T-IT3ZE
Image Sensor	5 MP CMOS image sensor	2 MP progressive scan CMOS	2MP CMOS Image Sensor	5 MP CMOS image sensor	5 MP CMOS image sensor
Effective Pixels	2560 (H) × 1944 (V)	1920 (H) × 1080 (V)	1920(H)*1080(V)	2560 (H) × 1944 (V)	2560 (H) × 1944 (V)
Min. illumination	0.01 Lux @ (F1.2, AGC ON), 0 Lux with IR	0.01 Lux@(F1.2, AGC ON), 0 Lux with IR	0.01 Lux@(F1.2,AGC ON),0 Lux with IR	Color: 0.01 Lux @ (F1.2, AGC ON), 0 Lux with IR	Color: 0.01 Lux @ (F1.2, AGC ON), 0 Lux with IR
Lens	2.8 mm	2.8 mm to 12 mm	2.8 mm-12 mm	2.7 mm to 13.5 mm motorized vari-focal lens	2.7 mm to 13.5 mm motorized vari-focal lens
Day & Night	ICR	ICR	ICR	IR cut filter	IR cut filter
Angle Adjustment	Pan: 0-360°; Tilt: 0-180°; Rotate: 0-360°	Pan: 0° to 360°, Tilt: 0° to 90°, Rotation: 0° to 360°	Pan: 0-360°, Tilt: 0-90°, Rotation: 0-360°	Pan: 0° to 360°; Tilt: 0° to 90°; Rotate: 0° to 360°	Pan: 0° to 360°; Tilt: 0° to 75°; Rotate: 0° to 360°
WDR	Digital WDR			Digital WDR	
Video Frame Rate	5 MP@20fps, 4 MP@25fps, 1080p@25fps	PAL: 1080p@25fps NTSC: 1080p@30fps	1080p@25fps	PAL: 5 MP@20fps, 4 MP@25fps, 1080p@25fps NTSC: 5 MP@20fps, 4 MP@30fps, 1080p@30fps	PAL: 5 MP@20fps, 4 MP@25fps, 1080p@25fps NTSC: 5 MP@20fps, 4 MP@30fps, 1080p@30fps
HD Video Output	1 Analog HD output	1 HD analog output	1 Analog HD output	1 HD analog output	
CVBS Output					
Operating Conditions	-40 °C – 60 °C (-40 °F – 140 °F), Humidity 90% or less (non-condensing)	-40 °C to 60 °C (-40 °F to 140 °F), Humidity 90% or less (non-condensation)	-40 °C to 60 °C (-40 °F to 140 °F), humidity: 90% or less (non-condensation)	-40 °C – 60 °C (-40 °F – 140 °F), Humidity 90% or less (non-condensing)	-40 °C – 60 °C (-40 °F – 140 °F), Humidity 90% or less (non-condensing)
Power Supply	12 V DC ±25%	12 VDC ±15%/PoC.at	12 V DC±15%	12 VDC ±15%, 24 VAC ±15%	12 VDC ±25%, PoC.af
Power Consumption	Max. 4.3 W	Max.6.5 W	Max. 4 W	Max. 8.9 W	Max. 7.8 W
Protection Level	IP67	IP66	IP66	IP67	IP67
IR Range	Up to 20 m	Up to 40 m	Up to 40 m	Up to 40 m	Up to 40 m
Dimensions	58 mm × 61 mm × 163 mm (2.28" × 2.40" × 6.42")	92 mm × 89 mm × 269.6 mm (3.62" × 3.5" × 10.6")	92mm×84.8mm×269.6mm (3.62"×3.34"×3.34")	84.5 mm × 92 mm × 255.1 mm (3.33" × 3.62" × 10")	84.5 mm × 92 mm × 255.1 mm (3.33" × 3.62" × 10")
Weight	Approx. 350 g (0.77 lb.)	Approx. 900 g (1.98 lb.)	Approx. 900g (1.98lb)	Approx. 705 g (1.55 lb.)	Approx. 685 g (1.51 lb.)

FIXED TURRET CAMERA



FIXED DOME CAMERA



FIXED TURRET CAMERA



Short Description	HD1080p IR Turret Camera	2 MP IR Turret Camera	2 MP Indoor IR Dome Camera	2 MP Indoor IR Turret Camera	HD 1080p EXIR Turret Camera
Model	DS-2CE56D0T-IRF	DS-2CE56D0T-IRMF	DS-2CE56D0T-IRMMF	DS-2CE56D0T-IRPF	DS-2CE56D0T-IT3F
Image Sensor	2MP CMOS Image sensor	2MP CMOS Image Sensor	2MP CMOS Image Sensor	2MP CMOS Image Sensor	2MP CMOS Image Sensor
Effective Pixels	1920(H)*1080(V)	1920(H)*1080(V)	1920(H)*1080(V)	1920(H)*1080(V)	1920(H)*1080(V)
Min. illumination	0.01 Lux@ (F1.2,AGC ON),0 Lux with IR	0.01 Lux @ (F1.2,AGC ON),0 Lux with IR	0.01 Lux @ (F1.2,AGC ON),0 Lux with IR	0.01 Lux @ (F1.2,AGC ON),0 Lux with IR	0.01 Lux @ (F1.2,AGC ON),0 Lux with IR
Lens	3.6 mm	2.8mm	2.8 mm	2.8 mm	3.6 mm
Day & Night	ICR	ICR	ICR	ICR	ICR
Angle Adjustment	Pan: 0 - 360°, Tilt: 0 - 75°, Rotation: 0 - 360°	Pan: 0 - 360°, Tilt: 0 - 75°, Rotation: 0 - 360°	Pan: 0-350°, Tilt: 0-70°, Rotation: 0-350°	Pan: 0-360°, Tilt: 0-75°, Rotation: 0-360°	Pan: 0 - 360°, Tilt: 0 - 75°, Rotation: 0 - 360°
WDR					
Video Frame Rate	1080p@25fps	1080p@25fps	1080p@25fps	1080p@25fps	1080p@25fps
HD Video Output	1 Analog HD output	1 Analog HD output	1 Analog HD output	1 Analog HD output	1 Analog HD output
CVBS Output					
Operating Conditions	-40 °C to 60 °C (-40 °F to 140 °F), Humidity: 90% or less (non-condensation)	-40 °C to 60 °C (-40 °F to 140 °F), Humidity: 90% or less (non-condensation)	-40 °C to 60 °C (-40 °F to 140 °F), Humidity: 90% or less (non-condensation)	-40 °C to 60 °C (-40 °F to 140 °F), Humidity: 90% or less (non-condensation)	-40 °C - 60 °C (-40 °F - 140 °F), Humidity 90% or less (non-condensing)
Power Supply	12 V DC±15%	12 VDC±15%	12 VDC±15%	12 V DC±15%	12 VDC±15%
Power Consumption	Max. 4 W	Max. 4W	Max. 4W	Max. 4 W	Max. 4W
Protection Level	IP66	IP66			IP66
IR Range	Up to 20 m	Up to 20m	Up to 20m	Up to 20 m	Up to 40m
Dimensions	Φ 89.9 × 70.1 mm (3.54" × 2.76")	89.47 × 67.6 mm (3.52" × 2.7")	Φ 98 x 65.4 mm (Φ 3.86" x 2.57")	Φ 89.9 mm × 70.1 mm (3.54" × 2.76")	Φ 110 mm × 93.2 mm (4.33" × 3.67")
Weight	280 g (0.62 lb.)	340 g (0.75 lb.)	240 g (0.53 lb.)	250 g (0.55 lb.)	350 g (0.77 lb.)

VARI-FOCAL TURRET CAMERA



VARI-FOCAL DOME CAMERA



FIXED TURRET CAMERA



VARI-FOCAL TURRET CAMERA



FIXED TURRET CAMERA



Short Description	2 MP IR Turret Camera	2 MP Vandal Proof PoC Dome Camera	5 MP Turret Camera	5 MP Turret Camera	5 MP Turret Camera
Model	DS-2CE56D0T-VFIR3F	DS-2CE56D0T-VPIR3E	DS-2CE56H0T-IT3F	DS-2CE56H0T-IT3ZF	DS-2CE56H0T-ITME
Image Sensor	2MP CMOS Image Sensor	2 MP progressive scan CMOS	5 MP CMOS image sensor	5 MP CMOS image sensor	5 MP CMOS image sensor
Effective Pixels	1920(H)*1080(V)	1920 (H) × 1080 (V)	2560 (H) × 1944 (V)	2560 (H) × 1944 (V)	2560 (H) × 1944 (V)
Min. illumination	0.01 Lux @ (F1.2,AGC ON),0 Lux with IR	0.01 Lux@(F1.2, AGC ON), 0 Lux with IR	0.01 Lux @ (F1.2, AGC ON), 0 Lux with IR	Color: 0.01 Lux @ (F1.2, AGC ON), 0 Lux with IR	Color: 0.01 Lux @ (F1.2, AGC ON), 0 Lux with IR
Lens	2.8 mm-12 mm	2.8 mm to 12 mm	2.8 mm	2.7- 13.5 mm	2.8 mm, 3.6 mm, 6 mm fixed Lens
Day & Night	ICR	ICR	ICR	ICR	IR cut filter
Angle Adjustment	Pan: 0-360°, Tilt: 0-75°, Rotation: 0-360°	Pan: 0° to 355°, Tilt: 0° to 75°, Rotation: 0° to 355°	Pan: 0-360°; Tilt: 0-75°; Rotate: 0-360°	Pan: 0-360°; Tilt: 0-75°; Rotate: 0-360°	Pan: 0° to 360°; Tilt: 0° to 75°; Rotate: 0° to 360°
WDR			Digital WDR		
Video Frame Rate	1080p@25fps	PAL: 1080p@25fps NTSC: 1080p@30fps	5 MP@20fps, 4 MP@25fps, 1080p@25fps	5 MP@20fps, 4 MP@25fps, 1080p@25fps	PAL: 5 MP@20fps, 4 MP@25fps, 1080p@25fps NTSC: 5 MP@20fps, 4 MP@30fps, 1080p@30fps
HD Video Output	1 Analog HD output	1 HD analog output	1 Analog HD output	1 Analog HD output	
CVBS Output					
Operating Conditions	-40 °C to 60 °C (-40 °F to 140 °F), Humidity: 90% or less (non-condensation)	-40 °C to 60 °C (-40 °F to 140 °F), Humidity 90% or less (non-condensation)	-40 °C – 60 °C (-40 °F – 140 °F), Humidity 90% or less (non-condensing)	-40 °C to 60 °C (-40 °F to 140 °F), humidity: 90% or less (non-condensation)	-40 °C – 60 °C (-40 °F – 140 °F), Humidity 90% or less (non-condensing)
Power Supply	12 VDC±15%	12 VDC ±15%/PoC.af	12 V DC ±25%	12 VDC ±25%	12 VDC ±25%, PoC.af
Power Consumption	Max. 4W	Max. 4 W	Max. 4.3 W	Max. 6.3 W	Max. 4.3 W
Protection Level	IP66	IP66, IK10	IP67	IP67	IP67
IR Range	Up to 40m	Up to 40 m	Up to 40 m	Up to 40 m	Up to 20 m
Dimensions	Φ 130.54 × 102.4mm (Φ 5.1" × 4")	Ø 145.3 × 124.2 mm (Φ 5.72" × 4.89")	Ø 110 mm × 93.2 mm (Ø 4.33" × 3.67")	123.86 mm × 134.3 mm × 110.11 mm (4.88" × 5.29" × 4.38")	91 mm × 82.6 mm × 68.3 mm (3.58" × 3.25" × 2.69")
Weight	Approx. 710g	1300 g (2.87 lb.)	350 g (0.77 lb.)	Approx. 580 g (1.28 lb.)	Approx. 253 g (0.56 lb.)



FIXED DOME CAMERA



VARI-FOCAL DOME CAMERA



Short Description	5 MP Turret Camera	5 MP Dome Camera	2 MP Vandal Proof VF Dome Camera	5 MP Dome Camera
Model	DS-2CE56H0T-ITMF	DS-2CE56H0T-VPITF	DS-2CE5AD0T-VPIT3F	DS-2CE5AH0T-(A)VPIT3ZF
Image Sensor	5 MP CMOS image sensor	5 MP CMOS image sensor	2.0 megapixel progressive scan CMOS	5 MP CMOS image sensor
Effective Pixels	2560 (H) × 1944 (V)	2560 (H) × 1944 (V)	1920 (H) × 1080 (V)	2560 (H) × 1944 (V)
Min. illumination	0.01 Lux @ (F1.2, AGC ON), 0 Lux with IR	Color: 0.01 Lux @ (F1.2, AGC ON), 0 Lux with IR	0.01 Lux@(F1.2, AGC ON), 0 Lux with IR	Color: 0.01 Lux @ (F1.2, AGC ON), 0 Lux with IR
Lens	2.8 mm	2.8 mm, 3.6 mm, 6 mm fixed lens	2.8 mm to 12 mm	2.7 mm to 13.5 mm motorized vari-focal lens
Day & Night	ICR	IR cut filter	ICR	IR cut filter
Angle Adjustment	Pan: 0-360°; Tilt: 0-75°; Rotate: 0-360°	Pan: 0° to 355°; Tilt: 0° to 75°; Rotate: 0° to 355°	Pan: 0° to 355°, Tilt: 0° to 70°, Rotation: 0° to 355°	Pan: 0° to 355°; Tilt: 0° to 75°; Rotate: 0° to 355°
WDR	Digital WDR	Digital WDR		Digital WDR
Video Frame Rate	5 MP@20fps, 4 MP@25fps, 1080p@25fps	PAL: 5 MP@20fps, 4 MP@25fps, 1080p@25fps NTSC: 5 MP@20fps, 4 MP@30fps, 1080p@30fps	PAL: 1080p@25fps NTSC: 1080p@30fps	PAL: 5 MP@20fps, 4 MP@25fps, 1080p@25fps NTSC: 5 MP@20fps, 4 MP@30fps, 1080p@30fps
HD Video Output	1 Analog HD output	1 HD analog output	1 HD analog output	1 HD analog output
CVBS Output				
Operating Conditions	-40 °C – 60 °C (-40 °F – 140 °F), Humidity 90% or less (non-condensing)	-40 °C to 60 °C (-40 °F to 140 °F), humidity: 90% or less (non-condensation)	-40 °C to 60 °C (-40 °F to 140 °F), Humidity 90% or less (non-condensation)	-40 °C – 60 °C (-40 °F – 140 °F), Humidity 90% or less (non-condensing)
Power Supply	12 V DC ±25%	12 VDC ±25%	12 VDC ±15%/PoC.af	12 VDC ±15%, 24 VAC ±15%
Power Consumption	Max. 4.3 W	Max. 4.3 W	Max. 4 W	DS-2CE5AH0T-VPIT3Z: Max. 4.4 W DS-2CE5AH0T-AVPIT3Z: Max. 6.0 W
Protection Level	IP67	IP67, IK10	IP67, IK10	IP67, IK10
IR Range	Up to 20 m		Up to 40 m	Up to 40 m
Dimensions	91 mm × 82.6 mm × 68.3 mm (3.58" × 3.25" × 2.69")	Ø 111 mm × 82.4 mm (Ø 4.4" × 3.2")	Ø 141 mm × 99.9 mm (Ø 5.55" × 3.93")	Ø 145 mm × 111.3 mm (Ø 5.70" × 4.37")
Weight	Approx. 350 g (0.77 lb.)	Approx. 350 g (0.77 lb.)	Approx. 800 g (1.76 lb.)	DS-2CE5AH0T-VPIT3ZF: Approx. 815 g (1.80 lb.) DS-2CE5AH0T-AVPIT3ZF: Approx. 860 g (1.90 lb.)

BOX CAMERA



VARI-FOCAL BULLET CAMERA



BOX CAMERA



VARI-FOCAL DOME CAMERA



FIXED TURRET CAMERA



Short Description

HD1080P WDR Box Camera

HD1080P Ultra Low-Light PoC Bullet Camera

HD1080P WDR POC Box Camera

HD1080P Ultra Low-Light PoC Dome Camera

2 MP Ultra-Low Light PoC Turret Camera

Model	DS-2CC12D9T-[A]	DS-2CC12D9T-AIT3ZE	DS-2CC12D9T-E	DS-2CC52D9T-AVPIT3ZE	DS-2CC52D9T-IT3E
Image Sensor	2MP CMOS Image Sensor	2MP progressive scan CMOS	2MP CMOS Image Sensor	2MP progressive scan CMOS	2MP progressive scan CMOS
Effective Pixels	1944(H)*1092(V)	1920 (H)*1080 (V)	1944(H)*1092(V)	1920 (H)*1080 (V)	1920 (H) × 1080 (V)
Min. illumination	Color : 0.01 Lux @(F1.2,AGC ON); B/W : 0.001 Lux @(F1.2,AGC ON)	0.003 Lux@(F1.2, AGC ON), 0 Lux with IR	0.01 Lux @ (F1.2,AGC ON),0 Lux with IR	0.003 Lux@(F1.2, AGC ON), 0 Lux with IR	0.003 Lux@(F1.2, AGC ON), 0 Lux with IR
Lens		2.8 mm-12 mm		2.8 mm-12 mm	2.8 mm
Day & Night	ICR	ICR	Electronic	ICR	Auto/Color/B/W (White & Black)
Angle Adjustment		Pan: 0-360°, Tilt: 0-90°, Rotate: 0-360°		Pan: 0-355°, Tilt: 0-75°, Rotate: 0-355°	Pan: 0-360°; Tilt:0-75°; Rotate: 0-360°
WDR	120dB	> 120 dB	120dB	> 120 dB	> 120 dB
Video Frame Rate	1080p@25fps	1080p@25fps	1080p@25fps	1080p@25fps	1080p@25fps
HD Video Output	1 Analog HD output	1 Analog HD output	1 Analog HD output	1 Analog HD output	1 Analog HD output
CVBS Output	1Vp-p Composite Output(75Ω/BNC)	/1 CVBS output (75Ω/BNC)	1Vp-p Composite Output(75Ω/BNC)	/1 CVBS output (75Ω/BNC)	1 CVBS output (75Ω/BNC)
Operating Conditions	-30 °C – 60 °C (-22 °F – 140 °F), Humidity: 90% or less (non-condensing)	-40° C to 60° C (-40° F to 140° F), humidity: 90% or less (no condensation)	-30 °C – 60 °C (-22 °F – 140 °F), Humidity: 90% or less (non-condensing)	-40° C to 60° C (-40° F to 140° F), humidity: 90% or less (no condensation)	-40° C to 60° C (-40° F to 140° F), humidity: 90% or less (no condensation)
Power Supply	24V±15% AC, 12V±15% DC	24 VAC/12 VDC ±30%/PoC.at	12 VDC±15%, POC	24 VAC/12 VDC ±30%/PoC.at	12 VDC ±30%/PoC.af
Power Consumption	Max. 6W	Max. 7.5 W	Max. 7W	Max. 6 W	Max. 4 W
Protection Level		IP67		IP67	IP67
IR Range		Up to 40 m		Up to 40 m	Up to 40 m
Dimensions	69.2×57.3×148.7mm(2.7" × 2.3" × 5.85")	92 mm × 85.3 mm ×269.6 mm (3.62" × 3.36" × 10.61")	69.2×57.3×148.7mm(2.7" × 2.3" × 5.85")	Φ 145.2 mm × 124.1 mm (7.1" × 4.9")	Φ 110 mm × 93.2 mm (4.33" × 3.67")
Weight	520 g	Approx. 700 g (1.54 lb.)	520 g	Approx. 2000 g (4.4 lb.)	Approx. 200 g (0.44 lb.)

FIXED BULLET CAMERA



PIR CAMERA



VARI-FOCAL BULLET CAMERA



Short Description	2 MP Full Time Color Bullet Camera	2 MP Ultra-Low Light PIR Bullet Camera	2 MP Ultra-Low Light PIR Bullet Camera	2 MP Ultra-Low Light VF Bullet Camera	2 MP Ultra-Low Light Bullet Camera
Model	DS-2CE10DFT-F	DS-2CE11D8T-PIRL	DS-2CE12D8T-PIRL	DS-2CE16D8T-(A)IT3Z	DS-2CE16D8T-(A)IT3ZF
Image Sensor	2 MP CMOS image sensor	2MP progressive scan CMOS	2 MP CMOS image sensor	2.0 megapixel progressive scan CMOS	2.0 megapixel progressive scan CMOS
Effective Pixels	1920 (H) × 1080 (V)	1920 (H) × 1080 (V)	1920 (H) × 1080 (V)	1920 (H) × 1080 (V)	1920 (H) × 1080 (V)
Min. illumination	0.0005 Lux @ (F1.0, AGC ON), 0 Lux with white light	0.005 Lux @ (F1.2, AGC ON), 0 Lux with IR	0.005 Lux @ (F1.2, AGC ON), 0 Lux with IR	Color: 0.005 Lux @ (F1.2, AGC ON), 0 Lux with IR	Color: 0.003 Lux @ (F1.2, AGC ON), 0 Lux with IR
Lens	3.6 mm, 6 mm fixed lens	2.8mm	2.8 mm	2.8 mm to 12 mm motorized vari-focal lens	2.7 mm to 13.5 mm motorized, auto focus
Day & Night	Color	ICR	ICR	IR cut filter	IR cut filter
Angle Adjustment	Pan: 0° to 360°; Tilt: 0° to 180°; Rotate: 0° to 360°	Pan: 0-360°, Tilt: 0-180°, Rotate: 0-360°	Pan: 0-360°, Tilt: 0-180°, Rotate: 0-360°	Pan: 0° to 360°, Tilt: 0° to 90°, Rotate: 0° to 360°	Pan: 0° to 360°, Tilt: 0° to 90°, Rotate: 0° to 360°
WDR	120 dB	> 120 dB	120 dB	> 120 dB	≥ 130 dB
Video Frame Rate	PAL: 1080p@25fps NTSC: 1080p@30fps	1080p@25fps	1080p@25fps	PAL: 1080p@25fps NTSC: 1080p@30fps	PAL: 1080p@25fps NTSC: 1080p@30fps
HD Video Output	1 HD analog output	1 Analog HD output	1 Analog HD output	1 HD analog output	
CVBS Output					
Operating Conditions	-40 °C to 60 °C (-40 °F to 140 °F), humidity: 90% or less (non-condensation)	-40° C to 60° C (-40° F to 140° F), humidity: 90% or less (no condensation)	-40 °C – 60 °C (-40 °F – 140 °F), Humidity 90% or less (non-condensing)	-40 °C – 60 °C (-40 °F – 140 °F), Humidity 90% or less (non-condensing)	-40 °C – 60 °C (-40 °F – 140 °F), Humidity 90% or less (non-condensing)
Power Supply	12 VDC ±25%	12 V DC ±25%	12 V DC ±25%	12 VDC ±25% -A: 12 VDC ±25%, 24 VAC ±25%	12 VDC ±25%, 24 VAC±25%
Power Consumption	Max. 3 W	Max. 4.5 W	Max. 4.5 W	Max. 7.5 W -A: Max. 9 W	Max. 7.5W, -A: Max. 9W
Protection Level	IP67	IP67	IP67	IP67	IP67
IR Range		Up to 20 m	Up to 20 m	Up to 40 m	Up to 60 m
Dimensions	181.4 mm × 70 mm × 68 mm (7.14" × 2.75" × 2.68")	68 mm × 70 mm × 179.8 mm (2.68" × 2.76" × 7.08")	88.6 mm × 81.3 mm × 224.7 mm (3.49" × 3.20" × 8.85")	92 mm × 89 mm × 269.6 mm (3.62" × 3.5" × 3.34")	85 mm × 92 mm × 269.6 mm (3.3" × 3.6" × 10.6")
Weight	Approx. 390 g (0.86 lb.)	Approx. 345 g (0.76 lb.)	Approx. 430 g (0.95 lb.)	Approx. 900 g (1.98 lb.)	Approx. 910 g (2.01 lb.), -A: Approx. 940 g (2.07 lb.)

FIXED BULLET CAMERA



VARI-FOCAL BULLET CAMERA



Short Description	2 MP Ultra Low-Light EXIR Bullet Camera	2 MP Ultra Low-Light PoC EXIR Bullet Camera	2 MP Ultra Low-Light EXIR Bullet Camera	2 MP Ultra Low-Light VF EXIR Bullet Camera	2 MP Ultra Low-Light PoC VF EXIR Bullet Camera
Model	DS-2CE16D8T-IT	DS-2CE16D8T-IT3/5E	DS-2CE16D8T-IT3/IT5	DS-2CE16D8T-IT3Z	DS-2CE16D8T-IT3ZE
Image Sensor	2MP CMOS Image Sensor	2 MP progressive scan CMOS	2MP CMOS Image Sensor	2MP progressive scan CMOS	2MP progressive scan CMOS
Effective Pixels	1928(H)*1088(V)	1920 (H) × 1080 (V)	1920 (H) × 1080 (V)	1920 (H)*1080 (V)	1920 (H)*1080 (V)
Min. illumination	0.005 Lux @ (F2.0, AGC ON), 0 Lux with IR	Color: 0.005 Lux @ (F2.0, AGC ON), 0 Lux with IR	0.005 Lux @ (F2.0, AGC ON), 0 Lux with IR	0.005 Lux @ (F1.2 AGC ON), 0 Lux with IR	0.005 Lux @ (F1.2 AGC ON), 0 Lux with IR
Lens	2.8mm	2.8mm	2.8mm	2.8 mm-12 mm	2.8 mm-12 mm
Day & Night	IR cut filter	IR cut filter	IR cut filter	ICR	ICR
Angle Adjustment	Pan: 0-360°, Tilt:0-90°, Rotate: 0-360°	Pan: 0-360°, Tilt:0-90°, Rotate: 0-360°	Pan: 0-360°, Tilt: 0-180°, Rotate: 0-360°	Pan: 0-360°, Tilt: 0-90°, Rotation: 0-360°	Pan: 0-360°, Tilt: 0-90°, Rotation: 0-360°
WDR	120dB	> 120 dB	120dB	> 120 dB	> 120 dB
Video Frame Rate	1080p@25fps	1080p@25fps	1080p@25fps	1080p@25fps	1080p@25fps
HD Video Output	1 Analog HD output	1 HD output		1 Analog HD output	1 Analog HD output
CVBS Output	-				
Operating Conditions	-40 °C – 60 °C (-40 °F – 140 °F), Humidity: 90% or less (non-condensing)	-40 °C to 60 °C (-40 °F to 140 °F), humidity: 90% or less (non-condensation)	-40 °C – 60 °C (-40 °F – 140 °F), Humidity: 90% or less (non-condensing)	-40° C to 60° C (-40° F to 140° F), humidity: 90% or less (no condensation)	-40° C to 60° C (-40° F to 140° F), humidity: 90% or less (no condensation)
Power Supply	12 VDC±25%	12 VDC±25%/PoC.af	12 VDC±25%	12 VDC±25%	12 VDC ±25%/PoC.at
Power Consumption	Max. 4W	Max. 4W	Max. 4W	Max. 7.5 W	Max. 8.2 W
Protection Level	IP67	IP67	IP67	IP67	IP67
IR Range	Up to 20m	Up to 20 m	Up to 40m	Up to 40 m	Up to 40 m
Dimensions	58 mm × 61 mm × 163 mm (2.28" × 2.40" × 6.42")	86.7 mm × 81.6 mm × 226 mm (3.41" × 3.23" × 8.67")	86.7 mm × 81.6 mm × 226 mm (3.41" × 3.23" × 8.67")	92 mm × 89 mm × 269.6 mm (3.62" × 3.5" × 3.34")	92 mm × 89 mm × 269.6 mm (3.62" × 3.5" × 3.34")
Weight	-	Approx. 680 g (1.5 lb.)		Approx. 900 g (1.98 lb.)	Approx. 900 g (1.98 lb.)

FIXED BULLET CAMERA



VARI-FOCAL BULLET CAMERA



FIXED BULLET CAMERA



Short Description	2 MP Ultra Low-Light PoC EXIR Bullet Camera	2 MP Ultra-Low Light Bullet Camera	HD1080P WDR Motorized VF EXIR Bullet Camera	5 MP Bullet Camera	5 MP Bullet Camera
Model	DS-2CE16D8T-ITE	DS-2CE16D8T-ITF/3F/5F	DS-2CE16D9T-AIRAZH	DS-2CE16H8T-IT3F	DS-2CE16H8T-IT5F
Image Sensor	2 MP progressive scan CMOS	2.0 megapixel progressive scan CMOS	2MP CMOS Image Sensor	5 megapixel progressive scan CMOS	5 megapixel progressive scan CMOS
Effective Pixels	1920 (H) × 1080 (V)	1920 (H) × 1080 (V)	1944(H)*1092(V)	2560 (H) × 1944 (V)	2560 (H) × 1944 (V)
Min. illumination	Color: 0.005 Lux @ (F2.0, AGC ON), 0 Lux with IR	Color: 0.003 Lux @ (F1.2, AGC ON), 0 Lux with IR	0.01Lux @ (F1.2,AGC ON),0 Lux with IR	Color: 0.003 Lux@(F1.2, AGC ON), 0 Lux with IR	Color: 0.003 Lux@(F1.2, AGC ON), 0 Lux with IR
Lens	2.8mm	3.6 mm, 6 mm, 8 mm, 12 mm fixed lens	5-50mm	2.8 mm, 3.6 mm, 6 mm, 8 mm, 12 mm fixed lens	3.6 mm, 6 mm, 8 mm, 12 mm fixed lens
Day & Night	IR cut filter	IR cut filter	ICR	IR cut filter	IR cut filter
Angle Adjustment	Pan: 0-360°, Tilt:0-90°, Rotate: 0-360°	Pan: 0° to 360°, Tilt: 0° to 180, Rotate: 0° to 360°	Pan: 0° - 360°; Tilt:0° - 90°; Rotate: 0° - 360°	Pan: 0° to 360°; Tilt: 0° to 75°; Rotate: 0° to 360°	Pan: 0° to 360°; Tilt: 0° to 75°; Rotate: 0° to 360°
WDR	> 120 dB	≥ 130 dB	120dB	≥ 130 dB	≥ 130 dB
Video Frame Rate	1080p@25fps	PAL: 1080p@25fps NTSC: 1080p@30fps	1080p@25fps	TVI: 2 MP@25fps, 2 MP@30fps, 4 MP@25fps, 4 MP@30fps, 5 MP@20fps AHD: 4 MP@25fps, 4 MP@30fps, 5 MP@20fps CVI: 4 MP@25fps, 4 MP@30fps CVBS: PAL, NTSC	TVI: 2 MP@25fps, 2 MP@30fps, 4 MP@25fps, 4 MP@30fps, 5 MP@20fps AHD: 4 MP@25fps, 4 MP@30fps, 5 MP@20fps CVI: 4 MP@25fps, 4 MP@30fps CVBS: PAL, NTSC
HD Video Output	1 HD output		1 Analog HD output	1 HD analog output	1 HD analog output
CVBS Output					
Operating Conditions	-40 °C to 60 °C (-40 °F to 140 °F), humidity: 90% or less (non-condensation)	-40 °C – 60 °C (-40 °F – 140 °F), Humidity 90% or less (non-condensing)	-40 °C – 60 °C (-40 °F – 140 °F), Humidity 90% or less (non-condensing)	-40 °C – 60 °C (-40 °F – 140 °F), Humidity 90% or less (non-condensing)	-40 °C – 60 °C (-40 °F – 140 °F), Humidity 90% or less (non-condensing)
Power Supply	12 VDC±25%/PoC.af	12 VDC ±25%	AC24V±15%/ DC12V±15%, Heater is available with 24VAC only	12 VDC ±25%	12 VDC ±25%
Power Consumption	Max. 4W	Max. 5.2 W	Max. 20W	Max. 5.8 W	Max. 5.8 W
Protection Level	IP67	IP67	IP66	IP67	IP67
IR Range	Up to 20 m	Up to 80 m	Up to 110m	Up to 60 m	Up to 80 m
Dimensions	58 mm × 61 mm × 163 mm (2.28" × 2.40" × 6.42")	81.6 mm × 86.7 mm × 226 mm (3.2" × 3.4" × 8.9")	313.5x100.8x107.3mm	81.9 mm × 86.7 mm × 217.9 mm (3.22" × 3.41" × 8.58")	81.9 mm × 86.7 mm × 217.9 mm (3.22" × 3.41" × 8.58")
Weight	Approx. 350 g (0.77 lb.)	Approx. 560 g (1.23 lb.)	1650g	Approx. 570 g (1.26 lb.)	Approx. 570 g (1.26 lb.)



VARI-FOCAL BULLET CAMERA

PIR CAMERA

Short Description	5 MP Bullet Camera	4K Ultra-Low Light Bullet Camera	5 MP Bullet Camera	8 MP Bullet Camera	2 MP Ultra-Low Light Cube Camera
Model	DS-2CE16H8T-ITF	DS-2CE17U8T-IT	DS-2CE19H8T-(A)IT3ZF	DS-2CE19U7T-AIT3ZF	DS-2CE38D8T-PIR
Image Sensor	5 megapixel progressive scan CMOS	8.29 MP progressive scan CMOS	5 megapixel progressive scan CMOS	8.29 megapixel progressive scan CMOS	2MP progressive scan CMOS
Effective Pixels	2560 (H) × 1944 (V)	3840 (H)*2160 (V)	2560 (H) × 1944 (V)	3840 (H) × 2160 (V)	1920 (H) × 1080 (V)
Min. illumination	Color: 0.003 Lux@(F1.2, AGC ON), 0 Lux with IR	0.003 Lux@(F1.2 AGC ON), 0 Lux with IR	Color: 0.003 Lux@(F1.2, AGC ON), 0 Lux with IR	Color: 0.003 Lux@(F1.2, AGC ON), 0 Lux with IR	0.005 Lux @ (F1.2, AGC ON), 0 Lux with IR
Lens	2.8 mm, 3.6 mm, 6 mm fixed lens	2.8 mm	2.7 mm to 13.5 mm motorized vari-focal lens	2.7 mm to 13.5 mm motorized vari-focal lens	2.8 mm
Day & Night	IR cut filter	ICR	IR cut filter	IR cut filter	ICR
Angle Adjustment	Pan: 0° to 360°; Tilt: 0° to 75°; Rotate: 0° to 360°	Pan: 0-360°, Tilt:0-180°, Rotate: 0-360°	Pan: 0° to 360°; Tilt: 0° to 75°; Rotate: 0° to 360°	Pan: 0° to 360°; Tilt: 0° to 90°; Rotate: 0° to 360°	
WDR	≥ 130 dB	120 dB	≥ 130 dB	≥ 130 dB	> 120 dB
Video Frame Rate	TVI: 2 MP@25fps, 2 MP@30fps, 4 MP@25fps, 4 MP@30fps, 5 MP@20fps AHD: 4 MP@25fps, 4 MP@30fps, 5 MP@20fps CVI: 4 MP@25fps, 4 MP@30fps CVBS: PAL, NTSC	8 MP@12.5fps, 5 MP@20fps, 4 MP@25fps, 1080p@25fps	TVI: 2 MP@25fps, 2 MP@30fps, 4 MP@25fps, 4 MP@30fps, 5 MP@20fps AHD: 4 MP@25fps, 4 MP@30fps, 5 MP@20fps CVI: 4 MP@25fps, 4 MP@30fps CVBS: PAL, NTSC	TVI: 8MP@12.5fps, 8MP@15fps, 5MP@20fps, 4MP@25fps, 4MP@30fps, 2MP@25fps, 2MP@30fps CVI: 8MP@12.5fps, 8MP@15fps AHD: 8MP@12.5fps, 8MP@15fps CVBS: 960H P/N	1080p@25fps
HD Video Output	1 HD analog output	1 Analog HD output	1 HD analog output	1 HD analog output	1 Analog HD output
CVBS Output		1 CVBS output (75Ω/BNC)			
Operating Conditions	-40 °C – 60 °C (-40 °F – 140 °F), Humidity 90% or less (non-condensing)	-40° C to 60° C (-40° F to 140° F), humidity: 90% or less (no condensation)	-40 °C – 60 °C (-40 °F – 140 °F), Humidity 90% or less (non-condensing)	-40 °C – 60 °C (-40 °F – 140 °F), Humidity 90% or less (non-condensing)	-40° C to 60° C (-40° F to 140° F), humidity: 90% or less (no condensation)
Power Supply	12 VDC ±25%	12 VDC ±25%	-A: 9.6 VDC to 14.4 VDC; 19.2 VAC to 28.8 VAC	9.6 VDC to 14.4 VDC; 19.2 VAC to 28.8 VAC	12 VDC ±30%/PoC.af
Power Consumption	Max. 5.8 W	Max. 4.8 W	-A: Max. 10.5 W	Max. 11.8 W	Max. 5 W
Protection Level	IP67	IP67	IP67	IP67	
IR Range	Up to 30 m	Up to 40 m	Up to 80 m	Up to 80 m	Up to 20 m
Dimensions	58 mm × 61 mm × 158.6 mm (2.28" × 2.40" × 6.42")	Ø 70 mm × 159.8 mm (Ø 2.76" × 6.29")	84.5 mm × 92 mm × 255.1 mm (3.33" × 3.62" × 10")	84.5 mm × 92 mm × 255.1 mm (3.33" × 3.62" × 10")	104 mm × 66 mm × 41.07 mm (4.1" × 2.6" × 1.62")
Weight	Approx. 320 g (0.71 lb.)	Approx. 420 g (0.93 lb.)	Approx. 930 g (2.05 lb.)	Approx. 925 g (2.04 lb.)	Approx. 210 g (0.46 lb.)

VARI-FOCAL DOME CAMERA



FIXED TURRET CAMERA



Short Description	2 MP Ultra-Low Light VF EXIR Dome Camera	2 MP Ultra-Low Light Dome Camera	2 MP Ultra-Low Light VF Dome Camera	2 MP Ultra-Low Light Dome Camera	2 MP Ultra Low-Light EXIR Turret Camera
Model	DS-2CE56D8T-(A)ITZ	DS-2CE56D8T-(A)ITZF	DS-2CE56D8T-(A)VPIT3Z	DS-2CE56D8T-(A)VPIT3ZF	DS-2CE56D8T-IT1/3
Image Sensor	2.0 megapixel progressive scan CMOS	2.0 megapixel progressive scan CMOS	2.0 megapixel progressive scan CMOS	2.0 megapixel progressive scan CMOS	2MP CMOS Image Sensor
Effective Pixels	1920 (H) × 1080 (V)	1920 (H) × 1080 (V)	1920 (H) × 1080 (V)	1920 (H) × 1080 (V)	1920 (H) × 1080 (V)
Min. illumination	Color: 0.005 Lux @ (F1.2, AGC ON), 0 Lux with IR	Color: 0.003 Lux @ (F1.2, AGC ON), 0 Lux with IR	Color: 0.005 Lux @ (F1.2, AGC ON), 0 Lux with IR	Color: 0.003 Lux @ (F1.2, AGC ON), 0 Lux with IR	0.005 Lux @ (F2.0 AGC ON), 0 Lux with IR
Lens	2.8 mm to 12 mm motorized vari-focal lens	2.7 mm to 13.5 mm motorized, auto focus	2.8 mm to 12 mm motorized vari-focal lens	2.7 mm to 13.5 mm motorized, auto focus	2.8mm
Day & Night	IR cut filter	IR cut filter	IR cut filter	IR cut filter	IR cut filter
Angle Adjustment	Pan: 0° to 340°, Tilt: 0° to 75°, Rotate: 0° to 355°	Pan: 0° to 355°, Tilt: 0° to 75°, Rotate: 0° to 355°	Pan: 0° to 340°, Tilt: 0° to 75°, Rotate: 0° to 355°	Pan: 0° to 355°, Tilt: 0° to 75°, Rotate: 0° to 355°	Pan: 0-360°, Tilt: 0-75°, Rotate: 0-360°
WDR	> 120 dB	≥ 130 dB	> 120 dB	≥ 130 dB	120dB
Video Frame Rate	PAL: 1080p@25fps NTSC: 1080p@30fps	PAL: 1080p@25fps NTSC: 1080p@30fps	PAL: 1080p@25fps NTSC: 1080p@30fps	PAL: 1080p@25fps NTSC: 1080p@30fps	1080p@25fps
HD Video Output	1 HD analog output		1 HD analog output		
CVBS Output					
Operating Conditions	-40 °C – 60 °C (-40 °F – 140 °F), Humidity 90% or less (non-condensing)	-40 °C – 60 °C (-40 °F – 140 °F), Humidity 90% or less (non-condensing)	-40 °C – 60 °C (-40 °F – 140 °F), Humidity 90% or less (non-condensing)	-40 °C – 60 °C (-40 °F – 140 °F), Humidity 90% or less (non-condensing)	-40 °C – 60 °C (-40 °F – 140 °F), Humidity 90% or less (non-condensing)
Power Supply	12 VDC ±25% -A: 12 VDC ±25%, 24 VAC ±25%	12 VDC ±25%, 24 VAC±25%	12 VDC ±25% -A: 12 VDC ±25%, 24 VAC ±25%	12 VDC ±25%, 24 VAC±25%	12 V DC ±25%
Power Consumption	Max. 5.5 W -A: Max. 7 W	Max. 5.8W, -A: Max. 7.5W	Max. 5.5 W -A: Max. 7 W	Max. 5.8W, -A: Max. 7.5W	Max. 3.5 W
Protection Level	IP50		IP67, IK10	IK10	IP67
IR Range	Up to 20 m	Up to 60 m	Up to 40 m	Up to 60 m	Up to 20 m
Dimensions	Φ 136 mm × 102 mm (Φ 5.35" × 4.02")	Φ 136 mm × 101.9 mm (Φ 5.35" × 4.01")	Φ 145.2 mm × 124.1 mm (Φ 5.72" × 4.89")	Φ 145.2 mm × 124.1 mm (Φ 7.1" × 4.9")	Φ 110 mm × 93.2 mm (Φ 4.33" × 3.67")
Weight	Approx. 600 g (1.32 lb.)	Approx. 400 g (0.88 lb.), -A: Approx. 430 g (0.95 lb.)	Approx. 1600 g (3.53 lb.)	Approx. 610 g (1.34 lb.), -A: Approx. 640 g (1.41 lb.)	



VARI-FOCAL TURRET CAMERA



FIXED TURRET CAMERA

Short Description	2 MP Ultra-Low Light EXIR Turret Camera	2 MP Ultra Low-Light PoC EXIR Turret Camera	2 MP Ultra-Low Light VF Turret Camera	2 MP Ultra-Low Light VF PoC Turret Camera	2 MP Ultra Low-Light EXIR Turret Camera
Model	DS-2CE56D8T-IT1F/3F	DS-2CE56D8T-IT3E	DS-2CE56D8T-IT3Z	DS-2CE56D8T-IT3ZE	DS-2CE56D8T-ITM
Image Sensor	2.0 megapixel progressive scan CMOS	2 MP progressive scan CMOS	2 MP progressive scan CMOS	2.0 megapixel progressive scan CMOS	2MP CMOS Image Sensor
Effective Pixels	1920 (H) × 1080 (V)	1920 (H) × 1080 (V)	1920 (H) × 1080 (V)	1920 (H) × 1080 (V)	1920 (H) × 1080 (V)
Min. illumination	Color: 0.003 Lux @ (F1.2, AGC ON), 0 Lux with IR	Color: 0.005 Lux @ (F2.0, AGC ON), 0 Lux with IR	Color: 0.005 Lux @ (F1.2, AGC ON), 0 Lux with IR	Color: 0.005 Lux @ (F1.2, AGC ON), 0 Lux with IR	0.01 Lux @ (F1.2, AGC ON), 0 Lux with IR
Lens	2.8 mm, 3.6 mm, 6 mm, 8 mm, 12 mm fixed focal lens	2.8mm	2.8-12mm	2.8 mm to 12 mm motorized vari-focal lens	2.8mm
Day & Night	IR cut filter	IR cut filter	ICR	IR cut filter	IR cut filter
Angle Adjustment	Pan: 0° to 360°, Tilt: 0° to 75°, Rotate: 0° to 360°	Pan: 0-360°, Tilt:0-90°, Rotate: 0-360°	Pan: 0° to 360°, Tilt:0° to 75°, Rotate: 0° to 360°	Pan: 0° to 360°; Tilt: 0° to 90°; Rotate: 0° to 360°	Pan: 0-360°, Tilt:0-75°, Rotate: 0-360°
WDR	≥ 130 dB	> 120 dB	> 120 dB	> 120 dB	120dB
Video Frame Rate	PAL: 1080p@25fps NTSC: 1080p@30fps	1080p@25fps	1080p@25fps	PAL: 1080p@25fps NTSC: 1080p@30fps	1080p@25fps
HD Video Output		1 HD output	1 Analog HD output	1 HD analog output	1 HD output
CVBS Output					
Operating Conditions	-40 °C – 60 °C (-40 °F – 140 °F), Humidity 90% or less (non-condensing)	-40 °C to 60 °C (-40 °F to 140 °F), humidity: 90% or less (non-condensation)	-40 °C to 60 °C (-40 °F to 140 °F), humidity: 90% or less (non-condensation)	-40 °C – 60 °C (-40 °F – 140 °F), Humidity 90% or less (non-condensing)	-40 °C – 60 °C (-40 °F – 140 °F), Humidity 90% or less (non-condensing)
Power Supply	12 VDC ±25%	12 VDC±25%/PoC.af	12 VDC ±25%	12 VDC ±25%/PoC.at	12 V DC ±25%
Power Consumption	Max. 3.4 W	Max. 4W	Max. 7.5 W	Max. 7.5 W	Max. 3.5 W
Protection Level	IP67	IP67	IP67	IP67	IP67
IR Range	Up to 60 m	Up to 40 m	Up to 40 m	Up to 40 m	Up to 20 m
Dimensions	Ø 110 mm × 93.2 mm (Φ 4.33" × 3.67")	Φ 110 mm × 93.2 mm (Φ 4.33" × 3.67")	134.3 mm × 123.9 mm × 111.4 mm (5.29" × 4.88" × 4.39")	134.3 mm × 123.9 mm × 111.4 mm (5.29" × 4.88" × 4.39")	91 mm × 82.6 mm × 68.3 mm (3.58" × 3.25" × 2.69")
Weight	Approx. 315 g (0.69 lb.)	350 g (0.77 lb.)	Approx. 750 g (1.57 lb.)	Approx. 750 g (1.57 lb.)	



Short Description	2 MP Ultra-Low Light PoC Turret Camera	2 MP Ultra-Low Light EXIR Turret Camera	2 MP Ultra Low-Light EXIR Dome Camera	2 MP Ultra-Low Light VF Dome Camera	2 MP Ultra Low-Light PoC EXIR Dome Camera
Model	DS-2CE56D8T-ITME	DS-2CE56D8T-ITMF	DS-2CE56D8T-VPIT	DS-2CE56D8T-VPIT3ZE	DS-2CE56D8T-VPITE
Image Sensor	2MP CMOS Image Sensor	2.0 megapixel progressive scan CMOS	2MP progressive scan CMOS	2MP progressive scan CMOS	2MP progressive scan CMOS
Effective Pixels	1920 (H) × 1080 (V)	1920 (H) × 1080 (V)	1920 (H) × 1080 (V)	1920 (H) × 1080 (V)	1920 (H) × 1080 (V)
Min. illumination	0.01 Lux @ (F1.2, AGC ON), 0 Lux with IR	Color: 0.003 Lux @ (F1.2, AGC ON), 0 Lux with IR	0.005 Lux @ (F1.2, AGC ON), 0 Lux with IR	Color: 0.005 Lux @ (F1.2, AGC ON), 0 Lux with IR	0.005 Lux @ (F1.2, AGC ON), 0 Lux with IR
Lens	2.8mm	2.8 mm, 3.6 mm, 6 mm fixed focal lens	2.8 mm	2.8-12mm	2.8 mm, 3.6 mm
Day & Night	ICR	IR cut filter	IR cut filter	ICR	IR cut filter
Angle Adjustment	Pan: 0-360°, Tilt:0-75°, Rotate: 0-360°	Pan: 0° to 360°, Tilt: 0° to 75°, Rotate: 0° to 360°	Pan: 0-355°, Tilt:0-75°, Rotate: 0-355°	Pan: 0-340°, Tilt:0-75°, Rotate: 0-355°	Pan: 0-355°, Tilt:0-75°, Rotate: 0-355°
WDR	120dB	≥ 130 dB	> 120 dB	> 120 dB	> 120 dB
Video Frame Rate	1080p@25fps	PAL: 1080p@25fps NTSC: 1080p@30fps	1080p@25fps	1080p@25fps	1080p@25fps
HD Video Output	1 Analog HD output		1 HD output	1 Analog HD output	1 Analog HD output
CVBS Output					
Operating Conditions	-40 °C – 60 °C (-40 °F – 140 °F), Humidity 90% or less (non-condensing)	-40 °C – 60 °C (-40 °F – 140 °F), Humidity 90% or less (non-condensing)	-40 °C to 60 °C (-40 °F to 140 °F), humidity: 90% or less (non-condensation)	-40 °C to 60 °C (-40 °F to 140 °F), humidity: 90% or less (non-condensation)	-40 °C to 60 °C (-40 °F to 140 °F), humidity: 90% or less (non-condensation)
Power Supply	12 V DC ±25%/PoC.af	12 VDC ±25%	12 VDC±25%	12 VDC ±25%/PoC.at	12 VDC±25%/PoC.af
Power Consumption	Max. 3.6 W	Max. 3.4 W	Max. 3.5 W	Max. 7 W	Max. 3.2 W
Protection Level	IP67	IP67	IP67, IK7	IP67, IK10	IP67, IK7
IR Range	Up to 20 m	Up to 30 m	Up to 20 m	Up to 40 m	Up to 20 m
Dimensions	91 mm × 82.6 mm × 68.3 mm (3.58" × 3.25" × 2.69")	89.47 mm × 68.2 mm (3.52" × 2.68")	Φ 111 mm × 82.4 mm (Φ 4.4" × 3.2")	Φ 145.2 mm × 124.1 mm (Φ 5.72" × 4.89")	Φ 111 mm × 82.4 mm (Φ 4.4" × 3.2")
Weight	Approx. 350 g (0.77 lb.)	Approx. 238 g (0.52 lb.)	Approx. 350 g (0.77 lb.)	Approx. 1600 g (3.53 lb.)	Approx. 350 g (0.77 lb.)

VARI-FOCAL DOME CAMERA



Short Description	2 MP Ultra-Low Light Dome Camera	8 MP Dome Camera	2 MP Ultra-Low Light VF Dome Camera	2 MP Ultra-Low Light VF PoC Dome Camera	2 MP Ultra-Low Light Dome Camera
Model	DS-2CE56D8T-VPITF	DS-2CE59U7T-AVPIT3ZF	DS-2CE5AD8T-VPIT3Z	DS-2CE5AD8T-VPIT3ZE	DS-2CE5AD8T-VPIT3ZF
Image Sensor	2.0 megapixel progressive scan CMOS	8.29 megapixel progressive scan CMOS	2MP progressive scan CMOS	2.0 megapixel progressive scan CMOS	2.0 megapixel progressive scan CMOS
Effective Pixels	1920 (H) × 1080 (V)	3840 (H) × 2160 (V)	1920 (H) × 1080 (V)	1920 (H) × 1080 (V)	1920 (H) × 1080 (V)
Min. illumination	Color: 0.003 Lux @ (F1.2, AGC ON), 0 Lux with IR	Color: 0.003 Lux@(F1.2, AGC ON), 0 Lux with IR	0.005 Lux @ (F1.2, AGC ON), 0 Lux with IR	Color: 0.005 Lux @ (F1.2, AGC ON), 0 Lux with IR	Color: 0.003 Lux @ (F1.2, AGC ON), 0 Lux with IR
Lens	2.8 mm, 3.6 mm, 6 mm fixed focal lens	2.7 mm to 13.5 mm motorized vari-focal lens	2.8 mm-12 mm	2.8 mm to 12 mm motorized vari-focal lens	2.7 mm to 13.5 mm motorized, auto focus
Day & Night	IR cut filter	IR cut filter	ICR	IR cut filter	IR cut filter
Angle Adjustment	Pan: 0° to 355°, Tilt:0° to 75°, Rotate: 0° to 355°	Pan: 0° to 355°; Tilt: 0° to 75°; Rotate: 0° to 355°	Pan: 0-355°, Tilt:0-70°, Rotate: 0-355°	Pan: 0° to 340°, Tilt: 0° to 75°, Rotate: 0° to 355°	Pan: 0° to 355°, Tilt: 0° to 75°, Rotate: 0° to 355°
WDR	≥ 130 dB	≥ 130 dB	120dB	> 120 dB	≥ 130 dB
Video Frame Rate	PAL: 1080p@25fps NTSC: 1080p@30fps	TVI: 8MP@12.5fps, 8MP@15fps, 5MP@20fps, 4MP@25fps, 4MP@30fps, 2MP@25fps, 2MP@30fps CVI: 8MP@12.5fps, 8MP@15fps AHD: 8MP@12.5fps, 8MP@15fps CVBS: 960H P/N	1080p@25fps	PAL: 1080p@25fps NTSC: 1080p@30fps	PAL: 1080p@25fps NTSC: 1080p@30fps
HD Video Output		1 HD analog output	1 Analog HD output	1 HD analog output	
CVBS Output					
Operating Conditions	-40 °C – 60 °C (-40 °F – 140 °F), Humidity 90% or less (non-condensing)	-40 °C – 60 °C (-40 °F – 140 °F), Humidity 90% or less (non-condensing)	-40 °C – 60 °C (-40 °F – 140 °F), Humidity 90% or less (non-condensing)	-40 °C – 60 °C (-40 °F – 140 °F), Humidity 90% or less (non-condensing)	-40 °C – 60 °C (-40 °F – 140 °F), Humidity 90% or less (non-condensing)
Power Supply	12 VDC ±25%	9.6 VDC to 14.4 VDC; 19.2 VAC to 28.8 VAC	12 V DC ±25%	12 VDC ±25%/PoC.af	12 VDC ±25%, 24 VAC±25%
Power Consumption	Max. 3.4 W	Max. 8.9 W	Max. 6 W	Max. 6.7 W	Max. 5.8W, -A: Max. 7.5W
Protection Level	IP67, IK10	IP67, IK10	IP67	IP67, IK10	IK10
IR Range	Up to 30 m	Up to 60 m	Up to 40 m	Up to 40 m	Up to 60 m
Dimensions	Ø 111 mm × 82.4 mm (Ø 4.4" × 3.2")	Ø 145.2 mm × 124.1 mm (Ø 7.1" × 4.9")	Ø 141 mm × 99.9 mm (Ø 5.55" × 3.93")	Φ 145 mm × 111.3 mm (Φ 5.69" × 4.37")	Φ 145 mm × 111.3 mm (Φ 5.69" × 4.37")
Weight	Approx. 492 g (1.08 lb.)	Approx. 640 g (1.41 lb.)	Approx. 800 g (1.76 lb.)	Approx. 890 g (1.96 lb.)	Approx. 830 g (1.83 lb.), -A: Approx. 860 g (1.90 lb.)



PIR CAMERA

FIXED TURRET CAMERA

Short Description	5 MP Dome Camera	5 MP Dome Camera	8 MP Dome Camera	2 MP Ultra-Low Light PIR Turret Camera	2 MP Full Time Color Turret Camera
Model	DS-2CE5AH0T-VPIT3ZE	DS-2CE5AH8T-(A)VPIT3ZF	DS-2CE5AU7T-AVPIT3ZF	DS-2CE71D8T-PIRL	DS-2CE72DFT-F
Image Sensor	5 MP CMOS image sensor	5 megapixel progressive scan CMOS	8.29 megapixel progressive scan CMOS	2MP progressive scan CMOS	2 MP CMOS image sensor
Effective Pixels	2560 (H) × 1944 (V)	2560 (H) × 1944 (V)	3840 (H) × 2160 (V)	1920 (H) × 1080 (V)	1920 (H) × 1080 (V)
Min. illumination	Color: 0.01 Lux @ (F1.2, AGC ON), 0 Lux with IR	0.003 Lux @ (F1.2, AGC ON), 0 Lux with IR	Color: 0.003 Lux @ (F1.2, AGC ON), 0 Lux with IR	0.005 Lux @ (F1.2, AGC ON), 0 Lux with IR	Color: 0.0005 Lux @ (F1.0, AGC ON), 0 Lux with white light
Lens	2.7 mm to 13.5 mm motorized vari-focal lens	2.7 mm to 13.5 mm motorized vari-focal lens	2.7 mm to 13.5 mm motorized vari-focal lens	2.8mm	3.6 mm, 6 mm fixed lens
Day & Night	IR cut filter	ICR	IR cut filter	ICR	Color
Angle Adjustment	Pan: 0° to 355°; Tilt: 0° to 75°; Rotate: 0° to 355°	Pan: 0° to 355°; Tilt: 0° to 75°; Rotate: 0° to 355°	Pan: 0° to 355°; Tilt: 0° to 75°; Rotate: 0° to 355°	Pan: 0-360°, Tilt: 0-75°, Rotate: 0-360°	Pan: 0° to 360°; Tilt: 0° to 75°; Rotate: 0° to 360°
WDR		≥ 130 dB	≥ 130 dB	> 120 dB	120 dB
Video Frame Rate	PAL: 5 MP@20fps, 4 MP@25fps, 1080p@25fps NTSC: 5 MP@20fps, 4 MP@30fps, 1080p@30fps	TVI: 2 MP@25fps, 2 MP@30fps, 4 MP@25fps, 4 MP@30fps, 5 MP@20fps AHD: 4 MP@25fps, 4 MP@30fps, 5 MP@20fps CVI: 4 MP@25fps, 4 MP@30fps CVBS: PAL, NTSC	TVI: 8MP@12.5fps, 8MP@15fps, 5MP@20fps, 4MP@25fps, 4MP@30fps, 2MP@25fps, 2MP@30fps CVI: 8MP@12.5fps, 8MP@15fps AHD: 8MP@12.5fps, 8MP@15fps CVBS: 960H P/N	1080p@25fps	PAL: 1080p@25fps NTSC: 1080p@30fps
HD Video Output		1 HD analog output	1 HD analog output	1 Analog HD output	1 HD analog output
CVBS Output					
Operating Conditions	-40 °C – 60 °C (-40 °F – 140 °F), Humidity: 90% or less (non-condensing)	-40 °C to 60 °C (-40 °F to 140 °F), humidity: 90% or less (non-condensation)	-40 °C – 60 °C (-40 °F – 140 °F), Humidity: 90% or less (non-condensing)	-40 °C to 60 °C (-40 °F to 140 °F), humidity: 90% or less (no condensation)	-40 °C to 60 °C (-40 °F to 140 °F), humidity: 90% or less (non-condensation)
Power Supply	12 VDC ±25%, PoC.af	9 VDC to 15 VDC -A: 9.6 VDC to 14.4 VDC; 19.2 VAC to 28.8 VAC	9.6 VDC to 14.4 VDC; 19.2 VAC to 28.8 VAC	12 V DC ±25%	12 VDC ±25%
Power Consumption	Max. 6.6 W	Max. 5.7 W, -A: Max. 8 W	Max. 8.9 W	Max. 4.5 W	Max. 3 W
Protection Level	IP67, IK10	IP67, IK10	IP67, IK10	IP67	IP67
IR Range	Up to 40 m	Up to 60 m	Up to 60 m	Up to 20 m	
Dimensions	Ø 145 mm × 111.3 mm (Ø 5.70" × 4.37")	Ø 145 mm × 111.3 mm (Ø 5.70" × 4.37")	Ø 145 mm × 111.3 mm (Ø 5.69" × 4.37")	Ø 109.8 mm × 89.75 mm (Ø 4.32" × 3.53")	Ø 109.82 mm × 85.56 mm (Ø 4.32" × 3.37")
Weight	Approx. 890 g (1.96 lb.)	Approx. 860 g (1.90 lb.) -A: Approx. 830 g (1.83 lb.)	Approx. 860 g (1.90lb.)	Approx. 310 g (0.68 lb.)	Approx. 336 g (0.74 lb.)



VARI-FOCAL TURRET CAMERA

PINHOLE CAMERA

Short Description	5 MP Turret Camera	5 MP Turret Camera	5 MP Turret Camera	8 MP Turret Camera	2 MP WDR Covert Camera
Model	DS-2CE76H8T-ITMF	DS-2CE78H8T-IT3F	DS-2CE79H8T-IT3ZF	DS-2CE79U7T-IT3ZF	DS-2CS54D8T-PH
Image Sensor	5 megapixel progressive scan CMOS	5 megapixel progressive scan CMOS	5 megapixel progressive scan CMOS	8.29 megapixel progressive scan CMOS	2 MP progressive scan CMOS
Effective Pixels	2560 (H) × 1944 (V)	2560 (H) × 1944 (V)	2560 (H) × 1944 (V)	3840 (H) × 2160 (V)	1920 (H) × 1080 (V)
Min. illumination	Color: 0.003 Lux@(F1.2, AGC ON), 0 Lux with IR	Color: 0.003 Lux@(F1.2, AGC ON), 0 Lux with IR	0.003 Lux @ (F1.2, AGC ON), 0 Lux with IR	Color: 0.003 Lux@(F1.2, AGC ON), 0 Lux with IR	0.005 Lux @ (F1.2, AGC ON), 0 Lux with IR
Lens	2.8 mm, 3.6 mm, 6 mm fixed lens	2.8 mm, 3.6 mm, 6 mm, 8 mm, 12 mm fixed lens	2.7 mm to 13.5 mm motorized vari-focal lens	2.7 mm to 13.5 mm motorized vari-focal lens	3.7 mm
Day & Night	IR cut filter	IR cut filter	ICR	IR cut filter	Electronic
Angle Adjustment	Pan: 0° to 360°; Tilt: 0° to 75°; Rotate: 0° to 360°	Pan: 0° to 360°; Tilt: 0° to 75°; Rotate: 0° to 360°	Pan: 0° to 360°; Tilt: 0° to 75°; Rotate: 0° to 360°	Pan: 0° to 360°; Tilt: 0° to 75°; Rotate: 0° to 360°	
WDR	≥ 130 dB	≥ 130 dB	≥ 130 dB	≥ 130 dB	> 120 dB
Video Frame Rate	TVI: 2 MP@25fps, 2 MP@30fps, 4 MP@25fps, 4 MP@30fps, 5 MP@20fps AHD: 4 MP@25fps, 4 MP@30fps, 5 MP@20fps CVI: 4 MP@25fps, 4 MP@30fps CVBS: PAL, NTSC	TVI: 2 MP@25fps, 2 MP@30fps, 4 MP@25fps, 4 MP@30fps, 5 MP@20fps AHD: 4 MP@25fps, 4 MP@30fps, 5 MP@20fps CVI: 4 MP@25fps, 4 MP@30fps CVBS: PAL, NTSC	TVI: 2 MP@25fps, 2 MP@30fps, 4 MP@25fps, 4 MP@30fps, 5 MP@20fps AHD: 4 MP@25fps, 4 MP@30fps, 5 MP@20fps CVI: 4 MP@25fps, 4 MP@30fps CVBS: PAL, NTSC	TVI: 8MP@12.5fps, 8MP@15fps, 5MP@20fps, 4MP@25fps, 4MP@30fps, 2MP@25fps, 2MP@30fps CVI: 8MP@12.5fps, 8MP@15fps AHD: 8MP@12.5fps, 8MP@15fps CVBS: 960H P/N	1920×1080@25fps
HD Video Output			1 HD analog output	1 HD analog output	1 Analog HD output/1 CVBS output (75Ω/BNC)
CVBS Output					
Operating Conditions	-40 °C – 60 °C (-40 °F – 140 °F), Humidity 90% or less (non-condensing)	-40 °C – 60 °C (-40 °F – 140 °F), Humidity 90% or less (non-condensing)	-40 °C to 60 °C (-40 °F to 140 °F), humidity: 90% or less (non-condensation)	-40 °C – 60 °C (-40 °F – 140 °F), Humidity 90% or less (non-condensing)	-40° C to 60° C (-40° F to 140° F), Humidity 90% or less (no condensation)
Power Supply	12 VDC ±25%	12 VDC ±25%	9 VDC to 15 VDC	9 VDC to 15 VDC	12 VDC ±20%
Power Consumption	Max. 5.8 W	Max. 5.8 W	Max. 7.4 W	Max. 8.9 W	Max. 1.5 W
Protection Level	IP67	IP67	IP67	IP67	
IR Range	Up to 30 m	Up to 60 m	Up to 60 m	Up to 60 m	
Dimensions	90 mm × 79.37 mm (3.54" × 3.12")	∅ 109.82 mm × 91.03 mm (∅ 4.32" × 3.6")	123.86 mm × 134.3 mm × 110.24 mm (4.88" × 5.29" × 4.34")	134.3 mm × 123.86 mm × 110.24 mm (5.29" × 4.88" × 4.34")	32.4 mm × 32.4 mm × 22.0 mm (1.28" × 1.28" × 0.87")
Weight	Approx. 300 g (0.66 lb.)	Approx. 310 g (0.68 lb.)	Approx. 600 g (1.32 lb.)	Approx. 580 g (1.28 lb.)	Approx. 200 g (0.44 lb.)



TURBO HD PTZ CAMERAS

Not only do our PTZ cameras deliver an incredible image during daytime scenes, they also produce clear images- down to 0.02 lux. The series includes autofocus zoom lenses that yields up to 37x optical zoom! It is designed for installations that do not require the 360° high speed positioning of traditional PTZ cameras but that do need occasional pan/tilt/zoom capabilities, including presets, patrols and patterns. The series boasts IP66 and IK10 ratings, allowing the cameras to be mounted in both in- and outdoor installations.

1920×1080



Short Description	2 MP Turbo 4-Inch Speed Dome	2 MP IR Turbo 4-Inch Speed Dome	2 MP Turbo 5-Inch Speed Dome	2 MP IR Turbo 5-Inch Speed Dome	2 MP Turbo 5-Inch Speed Dome
Model	DS-2AE4215T-D3	DS-2AE4225TI-D	DS-2AE5225T-A	DS-2AE5225TI-A	DS-2AE5232T-A
Image Sensor	1/2.8" progressive scan CMOS	1/2.8" progressive scan CMOS	1/2.8" progressive scan CMOS	1/2.8" progressive scan CMOS	1/2.8" progressive scan CMOS
Min. Illumination	Color: 0.005 Lux @(F1.6, AGC ON)/B/W: 0.001 Lux @(F1.6, AGC ON)	Color: 0.005 Lux @(F1.6, AGC ON)/B/W: 0.001 Lux @(F1.6, AGC ON) lux with IR	Color: 0.005 Lux @(F1.6, AGC ON)/B/W: 0.001 Lux @(F1.6, AGC ON) lux with IR	Color: 0.005 Lux @(F1.6, AGC ON)/B/W: 0.001 Lux @(F1.6, AGC ON) lux with IR	Color: 0.005 Lux @(F1.6, AGC ON)/B/W: 0.001 Lux @(F1.6, AGC ON) lux with IR
Max. Image Resolution	1920×1080	1920×1080	1920×1080	1920×1080	1920×1080
Focal Length	5 mm to 75 mm	4.8 mm to 120 mm	4.8 mm to 120 mm	4.8 mm to 120 mm	4.8 mm to 153 mm
Zoom Speed	Approx. 2.4 s (optical, wide to tele)	Approx. 3.2 s (optical, wide to tele)	Approx. 3.2 s (optical, wide to tele)	Approx. 3.2 s (optical, wide to tele)	Approx. 3.5 s (optical, wide to tele)
Angle of View	53.8° to 4.0° (wide to tele)	57.6° to 2.5° (wide-tele)	57.6° to 2.5° (wide-tele)	57.6° to 2.5° (wide-tele)	54.2° to 1.97° (wide-tele)
Aperture Range	F 1.6 to F 3.5	F 1.6 to F 3.5	F 1.6 to F 3.5	F 1.6 to F 3.5	F 1.6 to F4.6
Focus Mode	Auto/Semiauto/Manual	Auto/Semiauto/Manual	Auto/Semiauto/Manual	Auto/Semiauto/Manual	Auto/Semiauto/Manual
DWDR	DWDR	WDR (≥120dB)	WDR (≥120dB)	WDR (≥120dB)	DWDR
Day & Night	IR cut filter	IR cut filter	IR cut filter	IR cut filter	IR cut filter
Range	Pan:360° endless;Tilt:5° to 90° (auto flip)	Pan:360° endless;Tilt:-15° to 90° (auto flip)	Pan:360° endless;Tilt:-15° to 90° (auto flip)	Pan:360° endless;Tilt:-15° to 90° (auto flip)	Pan:360° endless;Tilt:-15° to 90° (auto flip)
Speed	Pan manual speed: 0.1° to 100°/sPan preset speed: 100°/s Tilt manual speed: 0.1° to 80°/sTilt preset speed: 80°/s	Pan manual speed: 0.1° to 80°/sPan preset speed: 80°/s Tilt manual speed: 0.1° to 80°/sTilt preset speed: 80°/s	Pan manual speed: 0.1° to 120°/sPan preset speed: 120°/s Tilt manual speed: 0.1° to 80°/sTilt preset speed: 80°/s	Pan manual speed: 0.1° to 120°/sPan preset speed: 120°/s Tilt manual speed: 0.1° to 80°/sTilt preset speed: 80°/s	Pan manual speed: 0.1° to 120°/sPan preset speed: 120°/s Tilt manual speed: 0.1° to 80°/sTilt preset speed: 80°/s
Number of Preset	-	-	-	-	-
IR Distance	NA	100m	NA	150m	NA
Power	12V DCMMax. 12 W	12 VDCMax.20 W (IR:7 W)	24 VACMax.24 W	24 VACMax.30 W (IR:10 W)	24 VACMax. 24 W
Working Temperature	Temperature:-10° C to 50° C (14° F to 122° F)	Temperature:-30° C to 65° C (-22° F to 149° F)	Temperature:-30° C to 65° C (-22° F to 149° F)	-30° C to 65° C (-22° F to 149° F)	Temperature:-30° C to 65° C (-22° F to 149° F)
Protection Level	IP66 standard (outdoor dome)TVS 4,000 V lightning protection, surge protection and voltage transient protection	IP66 standard (outdoor dome)TVS 4,000 V lightning protection, surge protection and voltage transient protection	IP66 standard (outdoor dome)TVS 4,000 V lightning protection, surge protection and voltage transient protection	IP66 standard (outdoor dome)TVS 4,000 V lightning protection, surge protection and voltage transient protection	IP66 standard (outdoor dome)TVS 4,000 V lightning protection, surge protection and voltage transient protection



Short Description	2 MP IR Turbo 7-Inch Speed Dome	2 MP IR Turbo 7-Inch Speed Dome
Model	DS-2AE7225TI-A(C)	DS-2AE7232TI-A(C)
Image Sensor	1/2.8" progressive scan CMOS	1/2.8" progressive scan CMOS
Min. Illumination	Color: 0.005 Lux @(F1.6, AGC ON)B/W: 0.001 Lux @(F1.6, AGC ON)0 lux with IR	Color: 0.005 Lux @(F1.2, AGC ON)B/W: 0.001 Lux @(F1.2, AGC ON)0 lux with IR
Max. Image Resolution	1920×1080	1920×1080
Focal Length	4.8 mm to 120 mm	4.8 mm to 153 mm
Zoom Speed	Approx. 3.6 s (optical, wide to tele)	Approx. 3.5 s (optical, wide to tele)
Angle of View	57.6° to 2.5° (wide-tele)	54.2° to 1.97° (wide-tele)
Aperture Range	F 1.6 to F 3.5	F 1.2 to F 4.4
Focus Mode	Auto/Semiauto/Manual	Auto/Semiauto/Manual
DWDR	WDR (≥120dB)	WDR (≥120dB)
Day & Night	IR cut filter	IR cut filter
Range	Pan:360° endless;Tilt:-15° to 90° (auto flip)	Pan:360° endless;Tilt:-15° to 90° (auto flip)
Speed	Pan manual speed: 0.1° to 160°/sPan preset speed: 160°/sTilt manual speed: 0.1° to 120°/sTilt preset speed: 120°/s	Pan manual speed: 0.1° to 160°/sPan preset speed: 160°/sTilt manual speed: 0.1° to 120°/sTilt preset speed: 120°/s
Number of Preset	256	256
IR Distance		
Power	24 VACMax. 40 W (IR:14 W)	24 VACMax. 40 W (IR:14 W)
Working Temperature	Temperature:-30° C to 65° C (-22° F to 149° F)	Temperature:-30° C to 65° C (-22° F to 149° F)
Protection Level	IP66 standard (outdoor dome)TVS 4,000 V lightning protection, surge protection and voltage transient protection	IP66 standard (outdoor dome)TVS 4,000 V lightning protection, surge protection and voltage transient protection



H.265+ GREAT PERFORMANCE

LOW BANDWIDTH

Hikvision lifts video surveillance to an unprecedented level with its H.265+ codec. In Full HD mode, H.265+ uses less than 20% of the bandwidth of H.264, allowing for live streams of unrivalled quality.

MINIMUM STORAGE

H.265+ also greatly outperforms all its predecessors in terms of storage. Regardless of environment or application, H.265+ reduces the required storage space by more than 80%.

In short, H.265+ allows you to kill two birds with one stone: you can now record images at amazingly high resolutions and minimize the required storage capacity. This makes H.265+ the ideal solution for 24-hour surveillance!

DIGITAL VIDEO RECORDERS (DVRS)

Because Hikvision realises that not all solutions are based on IP technology, we evolve existing technologies to provide the widest range of products to for all applications. This can be seen in the state-of-the-art DVR products, which offer the best of both worlds.

The products are split into two series to maximise application flexibility: the Professional Series, boasting powerful products with a range of feature, including Hikvision's unique H.265+ codec and PoC technology; and the Economic Series, offering reliable technology with a more limited feature set for lower budgets.

DVR SERIES

HGHI-F series	TurboHD 3.0
7100HGHI-F	- Max 720p analogue input - Up to 8 channel
HTHI-K series	TurboHD 4.0
7200HTHI-Kx	- Max 8MP analogue input - Up to 16 channel - VCA support
HUHI-K series	TurboHD 4.0
7200HUHI-Kx	- Max 5MP analogue input - Up to 16 channel - VCA support
HQHI-K series	TurboHD 4.0
7200HQHI-Kx 7100HQHI-Kx	- Max 3MP analogue input - Up to 16 channel - VCA support

MINI 1U CHASSIS



Short Description	DS-7100HGHI-F1 series TURBO HD DVR	DS-7100HQHI-K1 SERIES TURBO HD DVR	DS-7100HQHI-K1 SERIES TURBO HD DVR
Model	DS-7100HGHI-F1	DS-7100HQHI-K1(B)	DS-7100HQHI-Kx
Video compression	H.264+/H.264	H.265+/H.265/H.264+/H.264	H.265+/H.265/H.264+/H.264
Analog video input	4-ch	4-ch	8-ch
HD-TVI video input	1080p25, 1080p30, 720p25, 720p30	3 MP, 1080p25, 1080p30, 720p25, 720p30, 720p50, 720p60Note: The 3 MP signal input is only available for channel 1 of DS-7104HQHI-K1	3 MP, 1080p25, 1080p30, 720p25, 720p30, 720p50, 720p60Note: The 3 MP signal input is only available for channel 1/2 of DS-7108HQHI-K1
IP video input		1-ch(Up to 4 MP resolution)	2-ch(Up to 4 MP resolution)
Audio compression	G.711u	G.711u	G.711u
Audio input	1-ch ,RCA (2.0 Vp-p, 1 K Ω)	1-ch, RCA (2.0 Vp-p, 1 K Ω)	1-ch, RCA (2.0 Vp-p, 1 K Ω)
Two-way audio in	1-ch ,RCA (2.0 Vp-p, 1 K Ω)	1-ch, RCA (2.0 Vp-p, 1 K Ω)	1-ch, RCA (2.0 Vp-p, 1 K Ω)
HDMI/VGA output	1-ch, 1920 × 1080/60Hz,1280 × 1024/60Hz, 1280 × 720/60Hz, 1024 × 768/60Hz	1-ch, 1920 × 1080/60Hz, 1280 × 1024/60Hz, 1280 × 720/60Hz, 1024 × 768/60Hz	1-ch, 1920 × 1080/60Hz, 1280 × 1024/60Hz, 1280 × 720/60Hz, 1024 × 768/60Hz
CVBS output			
Encoding resolution	When 1080p Lite mode not enabled: 720p/WD1/4CIF/VGA/CIFWhen 1080p Lite mode enabled: 1080p lite/720p/WD1/4CIF/VGA/CIF	When 1080p Lite mode not enabled: 3 MP/1080p/720p/WD1/4CIF/VGA/CIF;When 1080p Lite mode enabled: 3 MP/1080p lite/720p lite/WD1/4CIF/VGA/CIF	When 1080p Lite mode not enabled: 3 MP/1080p/720p/WD1/4CIF/VGA/CIF;When 1080p Lite mode enabled: 3 MP/1080p lite/720p lite/WD1/4CIF/VGA/CIF
Video bitrate	32 Kbps to 4 Mbps	32 Kbps to 6 Mbps	32 Kbps to 6 Mbps
Audio output	1-ch, RCA (Linear, 1 K Ω)	1-ch, RCA (Linear, 1 K Ω)	1-ch, RCA (Linear, 1 K Ω)
Audio bitrate	64 Kbps	64 Kbps	64 Kbps
Synchronous playback	4-ch	4-ch	8-ch
SATA	1 SATA interface	1 SATA interface	1 SATA interface
Capacity	Up to 6 TB capacity for each disk	Up to 4 TB capacity for each disk	Up to 4 TB capacity for each disk
Network interface	1, RJ45 10M/100M self-adaptive Ethernet interface	1, RJ45 10M/100M self-adaptive Ethernet interface	1, RJ45 10M/100M self-adaptive Ethernet interface
USB port	Rear panel: 2 × USB 2.0	Real panel: 2 × USB 2.0	Real panel: 2 × USB 2.0
Alarm in/out			
Power supply	12 VDC	12 VDC	12 VDC
Working temperature	10 °C to +55 °C (14 °F to 131 °F)	-10 °C to +55 °C (+14 °F to +131 °F)	-10 °C to +55 °C (+14 °F to +131 °F)
Working humidity	10% to 90%	10% to 90%	10% to 90%
Dimensions(W × D × H)	200 × 200 × 45 mm (7.9 × 7.9 × 1.8 inch)	200 × 200 × 45 mm (7.9 × 7.9 × 1.8 inch)	200 × 200 × 45 mm (7.9 × 7.9 × 1.8 inch)

1U CHASSIS



Short Description	DS-7200HQHI-K1 SERIES TURBO HD DVR	DS-7200HUHI-K1/E SERIES TURBO HD DVR
Model	DS-7200HQHI-Kx/P	DS-7200HUHI-K1/E
Video compression	H.265+/H.265/H.264+/H.264	H.265 Pro+/H.265 Pro/H.265/H.264+/H.264
Analog video input	4-ch	8-ch
HD-TVI video input	4 MP, 3 MP, 1080p30, 1080p25, 720p60, 720p50, 720p30, 720p25	8 MP, 5 MP, 4 MP, 3 MP, 1080p30, 1080p25, 720p60, 720p50, 720p30, 720p25
IP video input	1-ch(Up to 4 MP resolution)	4-ch (up to 8-ch) Up to 8 MP resolution Support H.265+/H.265/H.264+/H.264 IP cameras
Audio compression	G.711u	G.711u
Audio input	1-ch, RCA (2.0 Vp-p, 1 K Ω)	1-ch, RCA (2.0 Vp-p, 1 K Ω)
Two-way audio in	1-ch, RCA (2.0 Vp-p, 1 K Ω) (using the 1st audio input)	1-ch, RCA (2.0 Vp-p, 1 K Ω) (using the 1st audio input)
HDMI/VGA output	1-ch, 1920 × 1080/60Hz, 1280 × 1024/60Hz, 1280 × 720/60Hz, 1024 × 768/60Hz	HDMI: 1-ch, 4K (3840 × 2160)/30Hz, 2K (2560 × 1440)/60Hz, 1920 × 1080/60Hz, 1280 × 1024/60Hz, 1280 × 720/60Hz, 1024 × 768/60Hz VGA: 1-ch, 1920 × 1080/60Hz, 1280 × 1024/60Hz, 1280 × 720/60Hz, 1024 × 768/60Hz
CVBS output	1-ch, BNC (1.0 Vp-p, 75 Ω), resolution: PAL: 704 × 576, NTSC: 704 × 480	
Encoding resolution	When 1080p Lite mode not enabled: 4 MP lite/3 MP/1080p/720p/VGA/WD1/4CIF/CIF; When 1080p Lite mode enabled: 4 MP lite/3 MP/1080p lite/720p lite/VGA/WD1/4CIF/CIF	8 MP/5 MP/4 MP/3M/1080P/720P/WD1/4CIF/VGA/CIF
Video bitrate	32 Kbps to 6 Mbps	32 Kbps to 10 Mbps
Audio output	1-ch, RCA (Linear, 1 K Ω)	1-ch, RCA (Linear, 1 K Ω)
Audio bitrate	64 Kbps	64 Kbps
Synchronous playback	4-ch	8-ch
SATA	1 SATA interface	1 SATA interface
Capacity	Up to 8 TB capacity for each disk	Up to 6 TB capacity for each disk
Network interface	1, RJ45 10M/100M self-adaptive Ethernet interface	1, RJ45 10M/100M/1000M self-adaptive Ethernet interface
USB port	2 × USB 2.0	2 × USB 2.0
Alarm in/out		
Power supply	48 VDC	12 VDC
Working temperature	-10 °C to +55 °C (14 °F to 131 °F)	-10 °C to +55 °C (+14 °F to +131 °F)
Working humidity	10% to 90%	10% to 90%
Dimensions(W × D × H)	315 × 242 × 45 mm (12.4 × 9.5 × 1.8 inch)	315 × 242 × 45 mm (12.4 × 9.5 × 1.8 inch)

1U CHASSIS



Short Description	DS-7200HQHI-K/P SERIES TURBO HD DVR	DS-7200HQHI-K1 SERIES TURBO HD DVR	DS-7200HQHI-K1 SERIES TURBO HD DVR
Model	DS-7200HQHI-K/P	DS-7200HQHI-Kx(/A)	DS-7200HQHI-Kx(/A)(B)
Video compression	H.265 Pro+/H.265 Pro/H.265/H.264+/H.264	H.265+/H.265/H.264+/H.264	H.265+/H.265/H.264+/H.264
Analog video input	4-ch	4-ch	4-ch
HD-TVI video input	4 MP, 3 MP, 1080p30, 1080p25, 720p60, 720p50, 720p30, 720p25	4 MP, 3 MP, 1080p30, 1080p25, 720p60, 720p50, 720p30, 720p25	4 MP, 3 MP, 1080p30, 1080p25, 720p60, 720p50, 720p30, 720p25
IP video input	1-ch (up to 5-ch), Up to 4 MP resolution, Supports H.265+/H.265/H.264+/H.264 IP cameras	1-ch (Up to 4 MP resolution)	1-ch (Up to 4 MP resolution)
Audio compression	G.711u	G.711u	G.711u
Audio input	1-ch, RCA (2.0 Vp-p, 1 K Ω)	1-ch, RCA (2.0 Vp-p, 1 K Ω)	1-ch, RCA (2.0 Vp-p, 1 K Ω)
Two-way audio in	1-ch, RCA (2.0 Vp-p, 1 K Ω) (using the 1st audio input)	1-ch, RCA (2.0 Vp-p, 1 K Ω) (using the 1st audio input)	1-ch, RCA (2.0 Vp-p, 1 K Ω) (using the 1st audio input)
HDMI/VGA output	1-ch, 1920 × 1080/60Hz, 1280 × 1024/60Hz, 1280 × 720/60Hz, 1024 × 768/60Hz	1-ch, 1920 × 1080/60Hz, 1280 × 1024/60Hz, 1280 × 720/60Hz, 1024 × 768/60Hz	1-ch, 1920 × 1080/60Hz, 1280 × 1024/60Hz, 1280 × 720/60Hz, 1024 × 768/60Hz
CVBS output	1-ch, BNC (1.0 Vp-p, 75 Ω), resolution: PAL: 704 × 576, NTSC: 704 × 480	1-ch, BNC (1.0 Vp-p, 75 Ω), resolution: PAL: 704 × 576, NTSC: 704 × 480	1-ch, BNC (1.0 Vp-p, 75 Ω), resolution: PAL: 704 × 576, NTSC: 704 × 480
Encoding resolution	When 1080p Lite mode is not enabled: 4 MP lite/3 MP/1080p/720p/VGA/WD1/4CIF/CIF; When 1080p Lite mode is enabled: 4 MP lite/3 MP/1080p lite/720p lite/VGA/WD1/4CIF/CIF	When 1080p Lite mode not enabled: 4 MP lite/3 MP/1080p/720p/VGA/WD1/4CIF/CIF; When 1080p Lite mode enabled: 4 MP lite/3 MP/1080p lite/720p lite/VGA/WD1/4CIF/CIF	When 1080p Lite mode not enabled: 4 MP lite/3 MP/1080p/720p/VGA/WD1/4CIF/CIF; When 1080p Lite mode enabled: 4 MP lite/3 MP/1080p lite/720p lite/VGA/WD1/4CIF/CIF
Video bitrate	32 Kbps to 6 Mbps	32 Kbps to 6 Mbps	32 Kbps to 6 Mbps
Audio output	1-ch, RCA (Linear, 1 K Ω)	1-ch, RCA (Linear, 1 K Ω)	1-ch, RCA (Linear, 1 K Ω)
Audio bitrate	64 Kbps	64 Kbps	64 Kbps
Synchronous playback	4-ch	4-ch	4-ch
SATA	1 SATA interface	1 SATA interface	1 SATA interface
Capacity	Up to 10 TB capacity for each disk	Up to 8 TB capacity for each disk	Up to 8 TB capacity for each disk
Network interface	1, RJ45 10M/100M self-adaptive Ethernet interface	1, RJ45 10M/100M self-adaptive Ethernet interface	1, RJ45 10M/100M self-adaptive Ethernet interface
USB port	2 × USB 2.0	2 × USB 2.0	2 × USB 2.0
Alarm in/out	-	-	4/1
Power supply	48 VDC	12 VDC	12 VDC
Working temperature	-10 °C to +55 °C (+14 °F to +131 °F)	-10 °C to +55 °C (14 °F to 131 °F)	-10 °C to +55 °C (14 °F to 131 °F)
Working humidity	10% to 90%	10% to 90%	10% to 90%
Dimensions(W × D × H)	315 × 242 × 45 mm (12.4 × 9.5 × 1.8 inch)	315 × 242 × 45 mm (12.4 × 9.5 × 1.8 inch)	315 × 242 × 45 mm (12.4 × 9.5 × 1.8 inch)



Short Description	DS-7204HTHI-K1 SERIES TURBO HD DVR	DS-7200HUHI-K1 SERIES TURBO HD DVR	DS-7200HUHI-K/P SERIES TURBO HD DVR
Model	DS-7200HTHI-Kx	DS-7200HUHI-Kx	DS-7200HUHI-Kx/P
Video compression	H.265+/H.265/H.264+/H.264	H.265+/H.265/H.264+/H.264	H.265+/H.265/H.264+/H.264
Analog video input	4-ch	4-ch	1-ch
HD-TVI video input	8 MP, 5 MP, 4 MP, 3 MP, 1080p30, 1080p25, 720p60, 720p50, 720p30, 720p25	5 MP, 4 MP, 3 MP, 1080p30, 1080p25, 720p60, 720p50, 720p30, 720p25	5 MP, 4 MP, 3 MP, 1080p30, 1080p25, 720p60, 720p50, 720p30, 720p25
IP video input	2-ch, Up to 8 MP resolution, Supports H.265+/H.265/H.264+/H.264 IP cameras	2-ch (Up to 6 MP resolution)	2-ch, Up to 6 MP resolution, Supports H.265+/H.265/H.264+/H.264 IP cameras
Audio compression	G.711u	G.711u	G.711u
Audio input	4-ch, RCA (2.0 Vp-p, 1 K Ω)	4-ch, RCA (2.0 Vp-p, 1 K Ω)	4-ch, RCA (2.0 Vp-p, 1 K Ω)
Two-way audio in	1-ch, RCA (2.0 Vp-p, 1 K Ω) (using the first audio input)	1-ch, RCA (2.0 Vp-p, 1 K Ω) (using the 1st audio input)	1-ch, RCA (2.0 Vp-p, 1 K Ω) (using the first audio input)
HDMI/VGA output	VGA: 1-ch, 1920 × 1080/60Hz, 1280 × 1024/60Hz, 1280 × 720/60Hz, 1024 × 768/60Hz HDMI: 1-ch, 4K (3840 × 2160)/30Hz, 2K (2560 × 1440)/60Hz, 1920 × 1080/60Hz, 1280 × 1024/60Hz, 1280 × 720/60Hz, 1024 × 768/60Hz	1-ch, 1920 × 1080/60Hz, 1280 × 1024/60Hz, 1280 × 720/60Hz, 1024 × 768/60Hz	1-ch, 1920 × 1080/60Hz, 1280 × 1024/60Hz, 1280 × 720/60Hz, 1024 × 768/60Hz
CVBS output	1-ch, BNC (1.0 Vp-p, 75 Ω), resolution: PAL: 704 × 576, NTSC: 704 × 480	1-ch, BNC (1.0 Vp-p, 75 Ω), resolution: PAL: 704 × 576, NTSC: 704 × 480	1-ch, BNC (1.0 Vp-p, 75 Ω), resolution: PAL: 704 × 576, NTSC: 704 × 480
Encoding resolution	8 MP/5 MP/4 MP/3 MP/1080p/720p/WD1/4CIF/VGA/CIF	5 MP/4 MP/3 MP/1080p/720p/WD1/4CIF/VGA/CIF	5 MP/4 MP/3 MP/1080p/720p/WD1/4CIF/VGA/CIF
Video bitrate	32 Kbps to 16 Mbps	32 Kbps to 10 Mbps	32 Kbps to 10 Mbps
Audio output	1-ch, RCA (Linear, 1 K Ω)	1-ch, RCA (Linear, 1 K Ω)	1-ch, RCA (Linear, 1 K Ω)
Audio bitrate	64 Kbps	64 Kbps	64 Kbps
Synchronous playback	4-ch	4-ch	4-ch
SATA	1 SATA interface	1 SATA interface	1 SATA interface
Capacity	Up to 8 TB capacity for each disk	Up to 8 TB capacity for each disk	Up to 8 TB capacity for each disk
Network interface	1, RJ45 10M/100M/1000M self-adaptive Ethernet interface	1, RJ45 10M/100M self-adaptive Ethernet interface	1, RJ45 10M/100M self-adaptive Ethernet interface
USB port	Front panel: 1 × USB 2.0 Rear panel: 1 × USB 3.0	2 × USB 2.0	2 × USB 2.0
Alarm in/out	4/1	4/1	4/1
Power supply	12 VDC	12 VDC	48 VDC
Working temperature	-10 °C to +55 °C (+14 °F to +131 °F)	-10 °C to +55 °C (14 °F to 131 °F)	-10 °C to +55 °C (+14 °F to +131 °F)
Working humidity	10% to 90%	10% to 90%	10% to 90%
Dimensions(W × D × H)	315 × 242 × 45 mm (12.4 × 9.5 × 1.8 inch)	315 × 242 × 45 mm (12.4 × 9.5 × 1.8 inch)	315 × 242 × 45 mm (12.4 × 9.5 × 1.8 inch)

1.5U CHASSIS



Short Description	DS-7324HQHI-K4 SERIES TURBO HD DVR	DS-7324HUHI-K4 SERIES TURBO HD DVR
Model	DS-7300HQHI-K4	DS-7300HUHI-K4
Video compression	H.265+/H.265/H.264+/H.264	H.265+/H.265/H.264+/H.264
Analog video input	24-ch	24-ch
HD-TVI video input	4 MP, 3 MP, 1080p25, 1080p30, 720p25, 720p30, 720p50, 720p60 Note: The 3 MP signal input is only available for channel 1/2/3/4.	5 MP, 4 MP, 3 MP, 1080p25, 1080p30, 720p25, 720p30, 720p50, 720p60
IP video input	8-ch (up to 32-ch) ,Up to 6 MP resolution,Supports H.265+/H.265/H.264+/H.264 IP cameras	8-ch (up to 32-ch) ,Up to 8 MP resolution,Supports H.265+/H.265/H.264+/H.264 IP cameras
Audio compression	G.711u	G.711u
Audio input	4-ch, RCA (2.0 Vp-p, 1 K Ω)	4-ch, RCA (2.0 Vp-p, 1 K Ω)
Two-way audio in	1-ch, RCA (2.0 Vp-p, 1 K Ω) (independent)	1-ch, RCA (2.0 Vp-p, 1 K Ω) (independent)
HDMI/VGA output	1-ch, 1920 × 1080/60Hz, 1280 × 1024/60Hz, 1280 × 720/60Hz, 1024 × 768/60Hz	1-ch, 1920 × 1080/60Hz, 1280 × 1024/60Hz, 1280 × 720/60Hz, 1024 × 768/60Hz
CVBS output	1-ch, BNC (1.0 Vp-p, 75 Ω), resolution: PAL: 704 × 576, NTSC: 704 × 480	1-ch, BNC (1.0 Vp-p, 75 Ω), resolution: PAL: 704 × 576, NTSC: 704 × 480
Encoding resolution	When 1080p Lite mode not enabled: 4 MP lite/3 MP/1080p/1080p lite/720p/WD1/4CIF/VGA/CIF When 1080p Lite mode enabled: 4 MP lite/3 MP/1080p lite/720p/720p lite/WD1/4CIF/VGA/CIF	5 MP/4 MP/3 MP/1080p/720p/WD1/4CIF/VGA/CIF
Video bitrate	32 Kbps to 6 Mbps	32 Kbps to 10 Mbps
Audio output	1-ch, RCA (Linear, 1 K Ω)	1-ch, RCA (Linear, 1 K Ω)
Audio bitrate	64 Kbps	64 Kbps
Synchronous playback	16-ch	16-ch
SATA	4 SATA interfaces	4 SATA interfaces
Capacity	Up to 8 TB capacity for each disk	Up to 8 TB capacity for each disk
Network interface	1, RJ45 10M/100M/1000M self-adaptive Ethernet interface	2, RJ45 10M/100M/1000M self-adaptive Ethernet interface
USB port	Front panel: 2 × USB 2.0 Rear panel: 1 × USB 3.0	Front panel: 2 × USB 2.0 Rear panel: 1 × USB 3.0
Alarm in/out	16/4	16/4
Power supply		100 to 240 VAC
Working temperature	-10 °C to +55 °C (+14 °F to +131 °F)	-10 °C to +55 °C (+14 °F to +131 °F)
Working humidity	10% to 90%	10% to 90%
Dimensions(W × D × H)	440 × 390 × 70 mm (17.3 × 15.4 × 2.8 inch)	440 × 390 × 70 mm (17.3 × 15.4 × 2.8 inch)

1U CHASSIS



1.5U CHASSIS



Short Description	IDS-7200HQHI-K1/S SERIES TURBO ACUSENSE DVR	IDS-7200HUHI-K1/4S SERIES TURBO ACUSENSE	IDS-7316HUHI-K4/16S SERIES TURBO HD DVR
Model	IDS-7200HQHI-K1/S	IDS-7200HUHI-K1/4S	IDS-7316HUHI-K4/16S
Video compression	H.265 Pro+/H.265 Pro/H.265/H.264+/H.264	H.265 Pro+/H.265 Pro/H.265/H.264+/H.264	H.265 Pro+/H.265 Pro/H.265/H.264+/H.264
Analog video input	16-ch	8-ch	16-ch
HD-TVI video input	4 MP, 3 MP, 1080p30, 1080p25, 720p60, 720p50, 720p30, 720p25	8 MP, 5 MP, 4 MP, 3 MP, 1080p30, 1080p25, 720p60, 720p50, 720p30, 720p25	8 MP15, 8 MP12.5, 5 MP20, 5 MP12, 4 MP30, 4 MP25, 3 MP18, 1080p30, 1080p25, 720p60, 720p50, 720p30, 720p25
IP video input	Up to 24-ch, Up to 6 MP resolution, Supports H.265+/H.265/H.264+/H.264 IP cameras	Up to 16-ch, Up to 8 MP resolution, Supports H.265+/H.265/H.264+/H.264 IP cameras	2-ch (up to 18-ch) Up to 8 MP resolution Support H.265+/H.265/H.264+/H.264 IP cameras
Audio compression	G.711u	G.711u	G.711u
Audio input	1-ch, RCA (2.0 Vp-p, 1 K Ω)	4-ch, RCA (2.0 Vp-p, 1 K Ω)	4-ch, RCA (2.0 Vp-p, 1 K Ω)
Two-way audio in	-	1-ch, RCA (2.0 Vp-p, 1 K Ω) (using the 1st audio input)	1-ch, RCA (2.0 Vp-p, 1 K Ω)
HDMI/VGA output	1-ch, HDMI, 1-ch, VGA, 1920 x 1080/60Hz, 1280 x 1024/60Hz, 1280 x 720/60Hz, 1024 x 768/60Hz, HDMI/VGA Simultaneous Output	VGA: 1-ch, 1920 x 1080/60Hz, 1280 x 1024/60Hz, 1280 x 720/60Hz, 1024 x 768/60Hz HDMI: 1-ch, 4K (3840 x 2160)/30Hz, 2K (2560 x 1440)/60Hz, 1920 x 1080/60Hz, 1280 x 1024/60Hz, 1280 x 720/60Hz, 1024 x 768/60Hz	1-ch, 1920 x 1080/60Hz, 1280 x 1024/60Hz, 1280 x 720/60Hz, 1024 x 768/60Hz
CVBS output	1-ch, BNC (1.0 Vp-p, 75 Ω), resolution: PAL: 704 x 576, NTSC: 704 x 480	1-ch, BNC (1.0 Vp-p, 75 Ω), resolution: PAL: 704 x 576, NTSC: 704 x 480	1-ch, BNC (1.0 Vp-p, 75 Ω), resolution: PAL: 704 x 576, NTSC: 704 x 480
Encoding resolution	When 1080p Lite mode not enabled: 4 MP/ 3 MP/1080p/1080p lite/720p/WD1/4CIF/VGA/CIF When 1080p Lite mode enabled: 4 MP lite/3 MP/1080p lite/720p lite/WD1/4CIF/VGA/CIF	8MP/5 MP/4 MP/3 MP/1080p/720p/WD1/4CIF/VGA/CIF	8 MP/5 MP/4 MP/3M/1080P/720P/WD1/4CIF/VGA/CIF
Video bitrate	32 Kbps to 6 Mbps	32 Kbps to 10 Mbps	32 Kbps to 10 Mbps
Audio output	1-ch, RCA (Linear, 1 K Ω)	1-ch, RCA (Linear, 1 K Ω)	2-ch, RCA (Linear, 1 K Ω)
Audio bitrate	64 Kbps	64 Kbps	64 Kbps
Synchronous playback	8-ch	8-ch	16-ch
SATA	1 SATA interface	1 SATA interface	4 SATA interfaces
Capacity	Up to 10 TB capacity for each disk	Up to 10 TB capacity for each disk	Up to 10 TB capacity for each disk
Network interface	1, RJ45 10M/100M self-adaptive Ethernet interface	1, RJ45 10M/100M/1000M self-adaptive Ethernet interface	1, RJ45 10M/100M/1000M self-adaptive Ethernet interface
USB port	2 x USB 2.0	2 x USB 2.0	Front panel: 2 x USB 2.0 Rear panel: 1 x USB 3.0
Alarm in/out	-	4/1	
Power supply	12 VDC	12 VDC	110 to 220 VAC
Working temperature	-10 $^{\circ}$ C to +55 $^{\circ}$ C (+14 $^{\circ}$ F to +131 $^{\circ}$ F)	-10 $^{\circ}$ C to +55 $^{\circ}$ C (+14 $^{\circ}$ F to +131 $^{\circ}$ F)	-10 $^{\circ}$ C to +55 $^{\circ}$ C (+14 $^{\circ}$ F to +131 $^{\circ}$ F)
Working humidity	10% to 90%	10% to 90%	10% to 90%
Dimensions(W x D x H)	315 x 242 x 45 mm (12.4 x 9.5 x 1.8 inch)	315 x 242 x 45 mm (12.4 x 9.5 x 1.8 inch)	440 x 407 x 75 mm (17.3 x 16.0 x 3.0 inch)

ACCESS CONTROLLERS



2CD2163G0-I

Short Description	Single-Door Access Controller	Double-Door Access Controller
Model	DS-K2601	DS-K2602
Processor	32-bit	32-bit
Capacity	16M	16M
Uplink Communication Interface	TCP/IP Network Interface and RS-485 Interface	TCP/IP Network Interface and RS-485 Interface
Downlink Communication Interface	RS-485 and Wiegand (w26/w34)	RS-485 and Wiegand (w26/w34)
Storage	Cards information:	Cards information:
Card Capability	100,000 (200,000 expandable)	100,000 (200,000 expandable)
Record Capability	Access control events : 300,000 (600,000 expandable)	Access control events : 300,000 (600,000 expandable)
LED Indicator	Power Supply Status, Communication Status, Working Status	Power Supply Status, Communication Status, Working Status
Built-in Clock	Yes	Yes
Accessible Card Reader1	2 Card Readers (RS485 Interface)	4 Card Readers (RS485 Interface)
Accessible Card Reader2	2 Card Readers (Wiegand Interface) Connectable	4 Card Readers (Wiegand Interface)
Input Interface1	Alarm Input×4,	Alarm Input×4,
Input Interface2	Door Contact×1,	Door Sensor × 2
Input Interface3	Exit Button×1,	Exit Button × 2
Input Interface4	Case Input×2, Tamper-proof×1	Case Input × 4, Tamper Alarm × 1
Output Interface	Door Switch Relay×1, Alarm Relay×1	Door Relay × 2, Alarm Relay × 4
Tamper-Proof		
Buzzer		
RTC		
Power Supply	DC 12V/1A	DC 12V/1A
Power Dissipation (with Load)	≤50W	≤100W
Working Temperature	-20°C to +65°C	-20°C to +65°C
Working Humidity	10% to 90% (Non-Condensing)	10% to 90% (Non-Condensing)
Installation Type		
Dimensions (L×W×H)	370x345x90mm	370x345x90mm
Certification	CE, FCC	CE, FCC



Short Description	Four-Door Access Controller
Model	DS-K2604
Processor	32-bit
Capacity	16M
Uplink Communication Interface	TCP/IP Network Interface and RS-485 Interface
Downlink Communication Interface	RS-485 and Wiegand (w26/w34)
Storage	Cards information:
Card Capability	100,000 (200,000 expandable)
Record Capability	Access control events : 300,000 (600,000 expandable)
LED Indicator	Power Supply Status, Communication Status, Working Status
Built-in Clock	Yes
Accessible Card Reader1	8 Card Readers (RS485 Interface)
Accessible Card Reader2	4 Card Readers (Wiegand Interface)
Input Interface1	Alarm Input×4,
Input Interface2	Door Sensor × 4
Input Interface3	Exit Button × 4
Input Interface4	Case Input×8, Tamper Alarm × 1
Output Interface	Lock Relay × 4, Alarm Relay × 4
Tamper-Proof	
Buzzer	
RTC	
Power Supply	DC 12V/1A
Power Dissipation (with Load)	≤100W
Working Temperature	-20°C to +65°C
Working Humidity	10% to 90% (Non-Condensing)
Installation Type	
Dimensions (L×W×H)	370x345x90mm
Certification	CE, FCC

ACCESS TERMINALS



Short Description	IP Video Access Control Terminal	IP Video Access Control Terminal
Model	DS-K1T500S	DS-K1T501SF
Storage	N/A	N/A
Micro SD Card (Additional)	Max. 32G, Built-in Micro SD Card	Max. 32G, Built-in Micro SD Card
Camera	2MP/1080P, IR Light,140° angle, Record on NVR	2MP/1080P, IR Light, Record on NVR
Face Detection	Yes	Yes
Face Recognition Distance		
Face Recognition Accuracy Rate		
1:N Face Recognition Duration		
Valid Cards/ Events	50,000 valid cards, 200,000 events	50,000 valid cards, 200,000 events
Fingerprint Capacity	N/A	3000
Fingerprint Recognition Duration	N/A	≤ 1s
Fingerprint Recognizer	N/A	Optical Fingerprint Recognition Module
Card Reading Mode	Mifare-1 13.56 MHz	Mifare-1 13.56 MHz
Card Reading Distance	≤ 5 cm	≤ 5 cm
External Card Reader	Standard Wiegand26/34 and Hikvision RS-485 reader	Standard Wiegand26/34 and Hikvision RS-485 reader
Communication Mode	TCP/IP, RS-485, and Wiegand input/output 26/34 (under card reader mode only)	TCP/IP, RS-485, and Wiegand input/output 26/34 (under card reader mode only)
USB Interface	N/A	N/A
Input Interface	Exit Button×1, Door Contact×1, Alarm×2, Doorbell Button×1	Exit Button×1, Door Contact×1, Alarm×2, Doorbell Button×1
Output Interface	Relay×1, Doorbell×1	Relay×1, Doorbell×1
LCD Screen	N/A	N/A
LED Indicator	Power/Status	Power/Status
Power Supply	12VDC	
Protection Level	IP65	IP65
Working Temperature	-40°C to 60°C	-40°C to 60°C
Certificate	CE, FCC	CE, FCC
Dimension	218mm × 78mm × 41mm	218mm × 78mm × 41mm



Short Description	Standalone Access Control Terminal	IP Access Control Terminal
Model	DS-K1T801M	DS-K1T802M
Storage	N/A	N/A
Micro SD Card (Additional)	N/A	N/A
Camera	N/A	N/A
Face Detection	N/A	N/A
Face Recognition Distance		
Face Recognition Accuracy Rate		
1:N Face Recognition Duration		
Valid Cards/ Events	3000 valid cards	3000 valid cards, 10,000 events
Fingerprint Capacity	N/A	N/A
Fingerprint Recognition Duration	N/A	N/A
Fingerprint Recognizer	N/A	N/A
Card Reading Mode	Mifare-1 13.56 MHz	Mifare-1 13.56 MHz
Card Reading Distance	≥ 5cm	≥ 5cm
External Card Reader	N/A	N/A
Communication Mode	N/A	TCP/IP
USB Interface	N/A	N/A
Input Interface	Exit Button×1, Door Contact×1, Doorbell Button×1	Exit Button×1, Door Contact×1, Doorbell Button×1
Output Interface	Relay×1, Doorbell×1	Relay×1, Doorbell×1
LCD Screen	N/A	STN screen (resolution 128*64)
LED Indicator	Power/ Status	Communication/ Status
Power Supply	12V DC	12V DC
Protection Level	N/A	N/A
Working Temperature	-20°C to 65°C	-20°C to 65°C
Certificate	CE, FCC	CE, FCC
Dimension	126.5×94.5×24 mm	126.5×94.5×24 mm

ACCESS TERMINALS



Short Description	IP Fingerprint Access Control Terminal	Face Recognition Terminal
Model	DS-K1T201MF-C	DS-K1T604M
Storage	256M Storage	Yes
Micro SD Card (Additional)	Max.32G, Built-in Micro SD Card	USB
Camera	2 MP	2 MP Dual-Lens Camera; 1080p; Auto-Focus;
Face Detection	Yes	
Face Recognition Distance		0.3 m to 1 m
Face Recognition Accuracy Rate		≥ 99%
1:N Face Recognition Duration		≤ 0.5s/Person
Valid Cards/ Events	100,000 valid cards, 300,000 events	50,000 valid cards, 50,000 events
Fingerprint Capacity	Max. 4750 Users (Two Local Collected Fingerprint Templates for Each, Person, 9500 Fingerprints in Total)	N/A
Fingerprint Recognition Duration	1:1≤1s, 1:1000≤1s	10,000; JPG and JPEG Format
Fingerprint Recognizer	Optical Fingerprint Recognizer Module	Optical Fingerprint Recognizer Module
Card Reading Mode	Mifare-1 13.56 MHz	Mifare-1 13.56 MHz
Card Reading Distance	≤ 5 cm	≥ 5cm
External Card Reader	Standard Wiegand26/34 and Hikvision RS-485 reader	Standard Wiegand26/34 and Hikvision RS-485 reader
Communication Mode	TCP/IP, WIFI, RS-485, and Wiegand input/output 26/34 (under card reader mode only)	10/100/1000 Mbps Self-Adaptive Network Interface
USB Interface	USB2.0	USB 2.0
Input Interface	Exit Button×1, Door Contact×1, Alarm×2, Doorbell Button×1	RS-485 × 1, Wiegand × 1, USB × 1, Lock × 1, Door Magnetic Sensor × 1, Alarm Input × 2, Alarm Output × 1, Tamper × 1, Exit Button × 1
Output Interface	Relay×1, Doorbell×1	Lock × 1, Alarm Output × 1
LCD Screen	320×240 LCD-TFT Display Screen	7-inch LCD Touch Screen; Resolution: 1280 × 600, 16:9
LED Indicator	Power/ Communication	Communication/ Status
Power Supply	12VDC	12 VDC
Protection Level	N/A	Indoor; Outdoor
Working Temperature	-20°C to 65°C	-20°C to +65°C
Certificate	CE, FCC	CE, FCC
Dimension	122×142×27mm	330 mm × 140 mm × 45 mm



Short Description	Face Recognition Terminal	Face Recognition Terminal
Model	DS-K1T604MF	DS-K1T605M
Storage	Yes	Yes
Micro SD Card (Additional)	USB	USB
Camera	2 MP Dual-Lens Camera; 1080p; Auto-Focus;	0.3 MP ; Live Face Detection Function
Face Detection		2000
Face Recognition Distance	0.3 m to 1 m	0.3 m to 1 m
Face Recognition Accuracy Rate	≥ 99%	≥ 99%
1:N Face Recognition Duration	≤ 0.5s/Person	≤0.5 s/Person
Valid Cards/ Events	50,000 valid cards, 50,000 events	5000 valid cards, 100,000 events
Fingerprint Capacity	5000	N/A
Fingerprint Recognition Duration	10,000; JPG and JPEG Format	N/A
Fingerprint Recognizer	Optical Fingerprint Recognizer Module	N/A
Card Reading Mode	Mifare-1 13.56 MHz	Mifare-1 13.56 MHz
Card Reading Distance	≥ 5cm	≥ 5cm
External Card Reader	Standard Wiegand26/34 and Hikvision RS-485 reader	Standard Wiegand26/34 and Hikvision RS-485 reader
Communication Mode	10/100/1000 Mbps Self-Adaptive Network Interface	TCP/IP; Wi-Fi; EHome Protocol; RS-485; Wiegand 26/35
USB Interface	USB 2.0	USB 2.0
Input Interface	RS-485 × 1, Wiegand × 1, USB × 1, Lock × 1, Door Magnetic Sensor × 1, Alarm Input × 2, Alarm Output × 1, Tamper × 1, Exit Button × 1	Alarm Input × 2, USB 2.0 × 1, Door Magnetic Sensor × 1, Exit Button × 2
Output Interface	Lock × 1, Alarm Output × 1	Doorbell × 1, Lock × 1, Alarm Output × 2
LCD Screen	7-inch LCD Touch Screen; Resolution: 1280 × 600, 16:9	5-inch LCD Touch Screen; Resolution: 800 × 480
LED Indicator	Communication/ Status	Communication/ Status
Power Supply	12 VDC	12 VDC
Protection Level	Indoor; Outdoor	Indoor
Working Temperature	-20°C to +65°C	-40°C to 60°C
Certificate	CE, FCC	CE, FCC
Dimension	330 mm × 140 mm × 45 mm	190mm × 157mm × 98mm



Short Description	Face Recognition Terminal	Face Recognition Terminal
Model	DS-K1T605MF	DS-K1T605MF-B
Storage	Yes	Yes
Micro SD Card (Additional)	USB	USB
Camera	0.3 MP ; Live Face Detection Function	0.3 MP ; Live Face Detection Function
Face Detection	2000	2000
Face Recognition Distance	0.3 m to 1 m	0.3 m to 1 m
Face Recognition Accuracy Rate	≥ 99%	≥ 99%
1:N Face Recognition Duration	≤0.5 s/Person	≤0.5 s/Person
Valid Cards/ Events	5000 valid cards, 100,000 events	5000 valid cards, 100,000 events
Fingerprint Capacity	5000	5000
Fingerprint Recognition Duration	1:N Recognition Duration (Up to 5000 fingerprints) < 1s	1:N Recognition Duration (Up to 5000 fingerprints) < 1s
Fingerprint Recognizer	Optical Fingerprint Recognizer Module	Optical Fingerprint Recognizer Module
Card Reading Mode	Mifare-1 13.56 MHz	Mifare-1 13.56 MHz
Card Reading Distance	≥ 5cm	≥ 5cm
External Card Reader	Standard Wiegand26/34 and Hikvision RS-485 reader	Standard Wiegand26/34 and Hikvision RS-485 reader
Communication Mode	TCP/IP; Wi-Fi; EHome Protocol; RS-485; Wiegand 26/37	TCP/IP; Wi-Fi; EHome Protocol; RS-485; Wiegand 26/37
USB Interface	USB 2.0	USB 2.0
Input Interface	Alarm Input × 2, USB 2.0 × 1, Door Magnetic Sensor × 1, Exit Button × 4	Alarm Input × 2, USB 2.0 × 1, Door Magnetic Sensor × 1, Exit Button × 4
Output Interface	Doorbell × 1, Lock × 1, Alarm Output × 4	Doorbell × 1, Lock × 1, Alarm Output × 4
LCD Screen	5-inch LCD Touch Screen; Resolution: 800 × 480	5-inch LCD Touch Screen; Resolution: 800 × 480
LED Indicator	Communication/ Status	Communication/ Status
Power Supply	12 VDC	12 VDC
Protection Level	Indoor	Indoor
Working Temperature	-40°C to 60°C	-40°C to 60°C
Certificate	CE, FCC	CE, FCC
Dimension	190mm × 157mm × 98mm	190mm × 157mm × 98mm



Short Description	Face Recognition Terminal	Face Recognition Terminal
Model	DS-K1T606M	DS-K1T606MF
Storage	Yes	Yes
Micro SD Card (Additional)	USB	USB
Camera	2 MP; WDR; Wide-Angle Lens	2 MP; WDR; Wide-Angle Lens
Face Detection	3000	3000
Face Recognition Distance	0.3 m to 1 m	0.3 m to 1 m
Face Recognition Accuracy Rate	≥ 99%	≥ 99%
1:N Face Recognition Duration	≤ 1s/Person	≤ 1s/Person
Valid Cards/ Events	5000 valid cards, 100,000 events	5000 valid cards, 100,000 events
Fingerprint Capacity	N/A	5000
Fingerprint Recognition Duration	1:N Recognition Duration (Up to 5000 fingerprints) < 1s	1:N Recognition Duration (Up to 5000 fingerprints) < 1s
Fingerprint Recognizer	N/A	Optical Fingerprint Recognizer Module
Card Reading Mode	Mifare-1 13.56 MHz	Mifare-1 13.56 MHz
Card Reading Distance	≥ 5cm	≥ 5cm
External Card Reader	Standard Wiegand26/34 and Hikvision RS-485 reader	Standard Wiegand26/34 and Hikvision RS-485 reader
Communication Mode	10/100 Mbps Self-Adaptive Network Interface; Wi-Fi	10/100 Mbps Self-Adaptive Network Interface; Wi-Fi
USB Interface	USB 2.0	USB 2.0
Input Interface	RS-485 × 1, Wiegand × 1, USB × 1, Lock × 1, Door Bell × 1, Exit Button × 1, Tamper × 1, Alarm Input × 2, Alarm Output × 1, Door Lock × 1	RS-485 × 1, Wiegand × 1, USB × 1, Lock × 1, Door Bell × 1, Exit Button × 1, Tamper × 1, Alarm Input × 2, Alarm Output × 1, Door Lock × 1
Output Interface	Lock × 1, Alarm Output × 1	Lock × 1, Alarm Output × 1
LCD Screen	5-inch LCD Touch Screen; Resolution: 800 × 480	5-inch LCD Touch Screen; Resolution: 800 × 480
LED Indicator	Communication/ Status	Communication/ Status
Power Supply	12 VDC	12 VDC
Protection Level	Indoor; Outdoor	Indoor; Outdoor
Working Temperature	-20°C to 50°C	-20°C to 50°C
Certificate	CE, FCC	CE, FCC
Dimension	281.5 mm × 113 mm × 45 mm	281.5 mm × 113 mm × 45 mm

PROXIMITY CARD READERS



Short Description	Card Reader	Card Reader	Card Reader
Model	DS-K1101M	DS-K1101MK	DS-K1102E
Card Reading Frequency			
Sensing Distance			
Card Type			
Material			
Color			
Function			
Fingerprint Scanner			
Authentication Speed			
Protocol			
Power Supply	12V DC	12V DC	12V DC
Power Consumption	≤500mA	≤500mA	≤500mA
Processor	32-bit	32-bit	32-bit
Radio Frequency Standard	N/A	N/A	N/A
Reading Frequency	Mifare-1 13.56 MHz	Mifare-1 13.56 MHz	EM 125KHz
Reading Range	30 to 50mm	30 to 50mm	30 to 50mm
ID Settings	Via DIP Switch on the Main Board	Via DIP Switch on the Main Board	Via DIP Switch on the Main Board
Communication Interface	RS-485/Wiegand (W26/W34 protocol)	RS-485/Wiegand (W26/W34 protocol)	RS-485/Wiegand (W26/W34 protocol)
Audio Alert	Buzzer	Buzzer	Buzzer
Keypad	N/A	Keypad with 12 Keys (0 to 9, *, #)	N/A
LED Indicator	Power Indicator; Status LED Indicator	Power Indicator; Status LED Indicator	Power Indicator; Status LED Indicator
Tamper-Proof	Tampering Alarm	Tampering Alarm	Tampering Alarm
Working Temperature	-40°C to +70°C	-40°C to +70°C	-40°C to +70°C
Working Humidity	10% to 90% (Non Condensing)	10% to 90% (Non Condensing)	10% to 90% (Non Condensing)
Protection Level	IP 64	IP 64	IP 64
Dimensions	132.0×92.3×20.5mm	132.0×92.3×20.5mm	121×86.5×14mm
Mounting Method	Applied for 120 Gang Box Only	Applied for 120 Gang Box Only	Applied for 86 & 120 Gang Box
Certifications	FCC, CE	FCC, CE	FCC, CE



Short Description	Card Reader	Card Reader	Card Reader
Model	DS-K1102EK	DS-K1102M	DS-K1102MK
Card Reading Frequency			
Sensing Distance			
Card Type			
Material			
Color			
Function			
Fingerprint Scanner			
Authentication Speed			
Protocol			
Power Supply	12V DC	12V DC	12V DC
Power Consumption	≤500mA	≤500mA	≤500mA
Processor	32-bit	32-bit	32-bit
Radio Frequency Standard	N/A	N/A	N/A
Reading Frequency	EM 125KHz	Mifare-1 13.56 MHz	Mifare-1 13.56 MHz
Reading Range	30 to 50mm	30 to 50mm	30 to 50mm
ID Settings	Via DIP Switch on the Main Board	Via DIP Switch on the Main Board	Via DIP Switch on the Main Board
Communication Interface	RS-485/Wiegand (W26/W34 protocol)	RS-485/Wiegand (W26/W34 protocol)	RS-485/Wiegand (W26/W34 protocol)
Audio Alert	Buzzer	Buzzer	Buzzer
Keypad	Keypad with 12 Keys (0 to 9, *, #)	N/A	Keypad with 12 Keys (0 to 9, *, #)
LED Indicator	Power Indicator; Status LED Indicator	Power Indicator; Status LED Indicator	Power Indicator; Status LED Indicator
Tamper-Proof	Tampering Alarm	Tampering Alarm	Tampering Alarm
Working Temperature	-40°C to +70°C	-40°C to +70°C	-40°C to +70°C
Working Humidity	10% to 90% (Non Condensing)	10% to 90% (Non Condensing)	10% to 90% (Non Condensing)
Protection Level	IP 64	IP 64	IP 64
Dimensions	121×86.5×14mm	121×86.5×14mm	121×86.5×14mm
Mounting Method	Applied for 86 & 120 Gang Box	Applied for 86 & 120 Gang Box	Applied for 86 & 120 Gang Box
Certifications	FCC, CE	FCC, CE	FCC, CE



Short Description	Card Reader	Card Reader	Vandal-proof Card Reader
Model	DS-K1103M	DS-K1103MK	DS-K1104M
Card Reading Frequency			
Sensing Distance			
Card Type			
Material			
Color			
Function			
Fingerprint Scanner			
Authentication Speed			
Protocol			
Power Supply	12V DC	12V DC	12V DC
Power Consumption	≤500mA	≤500mA	≤500mA
Processor	32-bit	32-bit	32-bit
Radio Frequency Standard	N/A	N/A	N/A
Reading Frequency	Mifare-1 13.56 MHz	Mifare-1 13.56 MHz	Mifare-1 13.56 MHz
Reading Range	30 to 50mm	30 to 50mm	30 to 50mm
ID Settings	Via DIP Switch on the Main Board	Via DIP Switch on the Main Board	Via DIP Switch on the Main Board
Communication Interface	RS-485/Wiegand (W26/W34 protocol)	RS-485/Wiegand (W26/W34 protocol)	RS-485/Wiegand (W26/W34 protocol)
Audio Alert	Buzzer	Buzzer	Buzzer
Keypad	N/A	Keypad with 12 Keys (0 to 9, *, #)	N/A
LED Indicator	Power Indicator; Status LED Indicator	Power Indicator; Status LED Indicator	Power Indicator; Status LED Indicator
Tamper-Proof	Tampering Alarm	Tampering Alarm	Tampering Alarm
Working Temperature	-40°C to +70°C	-40°C to +70°C	-40°C to +70°C
Working Humidity	10% to 90% (Non Condensing)	10% to 90% (Non Condensing)	10% to 90% (Non Condensing)
Protection Level	IP 64	IP 64	IP 65 / IK10 Zinc-Alloy
Dimensions	129×76×14.7mm	129×76×14.7mm	118×76×23mm
Mounting Method	Only applied for 120 Gang Box	Only applied for 120 Gang Box	Applied for 86 & 120 Gang Box
Certifications	FCC, CE	FCC, CE	FCC, CE



Short Description	Vandal-proof Card Reader	Card Reader for elevator	Card Reader
Model	DS-K1104MK	DS-K1106M	DS-K1108E
Card Reading Frequency			
Sensing Distance			
Card Type			
Material			
Color			
Function			
Fingerprint Scanner			
Authentication Speed			
Protocol			
Power Supply	12V DC	12V DC	DC 12V
Power Consumption	≤500mA	≤2W	≤2W
Processor	32-bit	32-bit	32bit
Radio Frequency Standard	N/A	ISO 14443-A	ISO 14443-A
Reading Frequency	Mifare-1 13.56 MHz	Mifare-1 13.56 MHz	EM 125KHz
Reading Range	30 to 50mm	≥50mm	30 to 80mm
ID Settings	Via DIP Switch on the Main Board	Via DIP Switch on the Main Board	Via DIP Switch on the Main Board
Communication Interface	RS-485/Wiegand (W26/W34 protocol)	RS-485 / Wiegand (DIP Switch)	RS485/Wiegand (Set via DIP Switch)
Audio Alert	Buzzer	Buzzer	Buzzer
Keypad	Keypad with 12 Keys (0 to 9, *, #)	N/A	N/A
LED Indicator	Power Indicator; Status LED Indicator	Power Indicator; Status LED Indicator	Power Indicator; Status LED Indicator
Tamper-Proof	Tampering Alarm	Tampering Alarm	Tampering Alarm
Working Temperature	-40°C to +70°C	-20°C to +65°C	-20°C to +65°C
Working Humidity	10% to 90% (Non Condensing)	10% to 90% (Non Condensing)	10%-90% (No Condensing)
Protection Level	IP 65 / IK10 Zinc-Alloy	Indoor	IP65
Dimensions	118×76×23mm		123×88×21mm
Mounting Method	Applied for 86 & 120 Gang Box	Wall mounting with Gang Box	Wall Mounting with/without Gang Box
Certifications	FCC, CE	FCC, CE	FCC, CE



Short Description	Card Reader	Card Reader	Card Reader
Model	DS-K1108EK	DS-K1108M	DS-K1108MK
Card Reading Frequency			
Sensing Distance			
Card Type			
Material			
Color			
Function			
Fingerprint Scanner			
Authentication Speed			
Protocol			
Power Supply	DC 12V	DC 12V	DC 12V
Power Consumption	≤2W	≤2W	≤2W
Processor	32bit	32bit	32bit
Radio Frequency Standard	ISO 14443-A	ISO 14443-A	ISO 14443-A
Reading Frequency	EM 125KHz	Mifare-1 13.56 MHz	Mifare-1 13.56 MHz
Reading Range	30 to 80mm	30 to 80mm	30 to 80mm
ID Settings	Via DIP Switch on the Main Board	Via DIP Switch on the Main Board	Via DIP Switch on the Main Board
Communication Interface	RS485/Wiegand (Set via DIP Switch)	RS485/Wiegand (Set via DIP Switch)	RS485/Wiegand (Set via DIP Switch)
Audio Alert	Buzzer	Buzzer	Buzzer
Keypad	Keypad with 12 Keys (0 to 9, *, #)	N/A	Keypad with 12 Keys (0 to 9, *, #)
LED Indicator	Power Indicator; Status LED Indicator	Power Indicator; Status LED Indicator	Power Indicator; Status LED Indicator
Tamper-Proof	Tampering Alarm	Tampering Alarm	Tampering Alarm
Working Temperature	-20°C to +65°C	-20°C to +65°C	-20°C to +65°C
Working Humidity	10%~90% (No Condensing)	10%~90% (No Condensing)	10%~90% (No Condensing)
Protection Level	IP65	IP65	IP65
Dimensions	123x88x21mm	123x88x21mm	123x88x21mm
Mounting Method	Wall Mounting with/without Gang Box	Wall Mounting with/without Gang Box	Wall Mounting with/without Gang Box
Certifications	FCC, CE	FCC, CE	FCC, CE



ENROLMENT STATIONS

Short Description	Fingerprint and Card Reader		Card Enrollment Station
Model	DS-K1201EF	DS-K1201MF	DS-K1F100-D8E
Card Reading Frequency			13.56MHz and 125KHz
Sensing Distance			
Card Type			Standard IC Card, CPU Card, and ID (EM) Card
Material			
Color			
Function			
Fingerprint Scanner			
Authentication Speed			
Protocol			ISO 14443 Type A/B Standard and ISO 7816 Standard
Power Supply	12 VDC ± 10%	12 VDC ± 10%	
Power Consumption			200mA
Processor	32 Bit High-performance Processor	32 Bit High-performance Processor	
Radio Frequency Standard	N/A	N/A	
Reading Frequency	EM 125KHz	Mifare-1 13.56 MHz	
Reading Range	30mm to 100mm	30mm to 100mm	
ID Settings			
Communication Interface			USB 2.0; Driver Free
Audio Alert			
Keypad			
LED Indicator	Power/Communication	Power/Communication	LED Indicator: Indicates Power and the Communication Status
Tamper-Proof			
Working Temperature	-40°C to 70°C (-40°F to 158°F)	-40°C to 70°C (-40°F to 158°F)	-20°C to 65°C
Working Humidity	10% to 90% (No Condensing)	10% to 90% (No Condensing)	
Protection Level	IP65	IP65	
Dimensions	62mm × 132mm × 44mm (2.44" × 5.20" × 1.73")	62mm × 132mm × 44mm (2.44" × 5.20" × 1.73")	117x67.5x14.3 mm
Mounting Method	Surface Mounting	Surface Mounting	
Certifications			



Short Description	Card Enrollment Station	Fingerprint Enrollment Station
Model	DS-K1F180-D8E	DS-K1F820-F
Card Reading Frequency	13.56MHz and 125KHz	
Sensing Distance		
Card Type	Standard IC Card, CPU Card, and ID (EM) Card	
Material		
Color		
Function		
Fingerprint Scanner	Optical, Red backlight	
Authentication Speed	<= 1 Second	
Protocol	ISO 14443 Type A/B Standard and ISO 7816 Standard	
Power Supply		
Power Consumption	200mA	
Processor		
Radio Frequency Standard		
Reading Frequency		
Reading Range		
ID Settings		
Communication Interface	USB 2.0; Driver Free	USB 2.0
Audio Alert		
Keypad		
LED Indicator	LED Indicator: Indicates Power and the Communication Status	
Tamper-Proof		
Working Temperature	-20°C to 65°C	-30°C to +70°C
Working Humidity	20% to 80% (Non-Condensing)	
Protection Level		
Dimensions	117x67.5x14.3 mm	
Mounting Method		
Certifications		

PROXIMITY CARD READERS



Short Description	Card Reader	Card Reader	Card Reader
Model	DS-K1107E	DS-K1107EK	DS-K1107M
Card Reading Frequency			
Sensing Distance			
Card Type			
Material			
Color			
Function			
Fingerprint Scanner			
Authentication Speed			
Protocol			
Power Supply	12V DC	12V DC	12V DC
Power Consumption	≤2W	≤2W	≤2W
Processor	32-bit	32-bit	32-bit
Radio Frequency Standard	ISO 14443-A	ISO 14443-A	ISO 14443-A
Reading Frequency	EM 125KHz	EM 125KHz	Mifare-1 13.65 MHz
Reading Range	≥50mm	≥50mm	≥50mm
ID Settings	Via DIP Switch on the Main Board	Via DIP Switch on the Main Board	Via DIP Switch on the Main Board
Communication Interface	RS-485 / Wiegand (DIP Switch)	RS-485 / Wiegand (DIP Switch)	RS-485 / Wiegand (DIP Switch)
Audio Alert	Buzzer	Buzzer	Buzzer
Keypad	N/A	Keypad with 12 Keys (0 to 9, *, #)	N/A
LED Indicator	Power Indicator; Status LED Indicator	Power Indicator; Status LED Indicator	Power Indicator; Status LED Indicator
Tamper-Proof	Tampering Alarm	Tampering Alarm	Tampering Alarm
Working Temperature	-20°C to +65°C	-20°C to +65°C	-20°C to +65°C
Working Humidity	10% to 90% (Non Condensing)	10% to 90% (Non Condensing)	10% to 90% (Non Condensing)
Protection Level	IP65	IP65	IP65
Dimensions	115×44×22mm	115×44×22mm	85.6×86.5×14mm
Mounting Method	Wall mounting with screws. The Gang Box is not supported.	Wall mounting with screws. The Gang Box is not supported.	Wall mounting with screws. The Gang Box is not supported.
Certifications	FCC, CE	FCC, CE	FCC, CE



MAGNETIC CARDS



Short Description	Card Reader	EM RFID Card	Mifare 1 RFID Card
Model	DS-K1107MK	DS-KEM125	IC S50
Card Reading Frequency		125KHz +/- 6KHz	13.56 MHz
Sensing Distance		15cm	15cm
Card Type		EM-4100	MIFARE RF Interface (ISO/IEC 14443 A)
Material		PVC , Thin card	PVC , Thin card
Color		White	White
Function		Read	Read
Fingerprint Scanner			
Authentication Speed			
Protocol			
Power Supply	12V DC		
Power Consumption	≤2W		
Processor	32-bit	64 bit	High security EPROM
Radio Frequency Standard	ISO 14443-A		
Reading Frequency	Mifare-1 13.65 MHz		
Reading Range	≥50mm		
ID Settings	Via DIP Switch on the Main Board		
Communication Interface	RS-485 / Wiegand (DIP Switch)		
Audio Alert	Buzzer		
Keypad	Keypad with 12 Keys (0 to 9, *, #)		
LED Indicator	Power Indicator; Status LED Indicator		
Tamper-Proof	Tampering Alarm		
Working Temperature	-20°C to +65°C	-20 ℃ -- + 75 ℃	-20 ℃ -- + 75 ℃
Working Humidity	10% to 90% (Non Condensing)		
Protection Level	IP65		
Dimensions	115×44×22mm	85.5mm × 54mm × 0.8mm	85.5mm × 54mm × 0.8mm
Mounting Method	Wall mounting with screws. The Gang Box is not supported.		
Certifications	FCC, CE		



Short Description	Dual Frequency RFID Card
Model	S50+TK4100
Card Reading Frequency	125KHZ + 13.65 KHz
Sensing Distance	15cm
Card Type	EM-4100
Material	PVC , Thin card
Color	White
Function	Read
Fingerprint Scanner	
Authentication Speed	
Protocol	
Power Supply	
Power Consumption	
Processor	High security EPROM
Radio Frequency Standard	
Reading Frequency	
Reading Range	
ID Settings	
Communication Interface	
Audio Alert	
Keypad	
LED Indicator	
Tamper-Proof	
Working Temperature	-20 ℃ -- + 75 ℃
Working Humidity	
Protection Level	
Dimensions	85.5mm × 54mm × 0.8mm
Mounting Method	
Certifications	

PROXIMITY CARD READERS



Short Description	Economic Card Reader	Economic Card Reader	Economic Card Reader
Model	DS-K1801E	DS-K1801EK	DS-K1801M
Card Reading Frequency			
Sensing Distance			
Card Type			
Material			
Color			
Function			
Fingerprint Scanner			
Authentication Speed			
Protocol			
Power Supply	12V DC		
Power Consumption	E ≤1W / EK ≤1.5W		
Processor	8-bit		
Radio Frequency Standard	N/A		
Reading Frequency	EM 125KHz	EM 125KHz	Mifare-1 13.56 MHz
Reading Range	30-50mm		
ID Settings	N/A	N/A	N/A
Communication Interface	Wiegand (W26/W34 protocol)	Wiegand (W26/W34 protocol)	Wiegand (W26/W34 protocol)
Audio Alert	Buzzer	Buzzer	Buzzer
Keypad	N/A	Keypad with 12 Keys (0 to 9, *, #)	N/A
LED Indicator	Power Indicator; Status LED Indicator	Power Indicator; Status LED Indicator	Power Indicator; Status LED Indicator
Tamper-Proof	N/A	N/A	N/A
Working Temperature	-30°C to +65°C	-30°C to +65°C	-30°C to +65°C
Working Humidity	10% to 90% (Non Condensing)	10% to 90% (Non Condensing)	10% to 90% (Non Condensing)
Protection Level	IP 65 Standard	IP 65 Standard	IP 65 Standard
Dimensions	87×87×13.3mm	87×87×13.3mm	87×87×13.3mm
Mounting Method	Wall mounting with screws. The Gang Box is not supported.	Wall mounting with screws. The Gang Box is not supported.	Wall mounting with screws. The Gang Box is not supported.
Certifications	FCC, CE	FCC, CE	FCC, CE



Short Description	Economic Card Reader	Economic Card Reader	Economic Card Reader
Model	DS-K1801MK	DS-K1802E	DS-K1802EK
Card Reading Frequency			
Sensing Distance			
Card Type			
Material			
Color			
Function			
Fingerprint Scanner			
Authentication Speed			
Protocol			
Power Supply		12V DC	
Power Consumption		≤2W	
Processor		8-bit	
Radio Frequency Standard		ISO 11784/11785	ISO 11784/11785
Reading Frequency	Mifare-1 13.56 MHz	EM 125KHz	EM 125KHz
Reading Range		≤50mm	
ID Settings	N/A	N/A	N/A
Communication Interface	Wiegand (W26/W34 protocol)	Wiegand (W26/W34 protocol)	Wiegand (W26/W34 protocol)
Audio Alert	Buzzer	Buzzer	Buzzer
Keypad	Keypad with 12 Keys (0 to 9, *, #)	N/A	Keypad with 12 Keys (0 to 9, *, #)
LED Indicator	Power Indicator; Status LED Indicator	Power Indicator, Status Indicator	Power Indicator, Status Indicator
Tamper-Proof	N/A	N/A	N/A
Working Temperature	-30°C to +65°C	-20°C to +65°C (-4°F to 149°F)	-20°C to +65°C (-4°F to 149°F)
Working Humidity	10% to 90% (Non Condensing)	10% to 90% (Non Condensing)	10% to 90% (Non Condensing)
Protection Level	IP 65 Standard	IP65	IP65
Dimensions	87×87×13.3mm	115.9×43.3×17mm	115.9×43.3×17mm
Mounting Method	Wall mounting with screws. The Gang Box is not supported.	Wall mounting with screws. The Gang Box is not supported.	Wall mounting with screws. The Gang Box is not supported.
Certifications	FCC, CE	FCC, CE	FCC, CE



Short Description	Economic Card Reader	Economic Card Reader
Model	DS-K1802M	DS-K1802MK
Card Reading Frequency		
Sensing Distance		
Card Type		
Material		
Color		
Function		
Fingerprint Scanner		
Authentication Speed		
Protocol		
Power Supply		
Power Consumption		
Processor		
Radio Frequency Standard	ISO 14443-A	ISO 14443-A
Reading Frequency	Mifare-1 13.56 MHz	Mifare-1 13.56 MHz
Reading Range		
ID Settings	N/A	N/A
Communication Interface	Wiegand (W26/W34 protocol)	Wiegand (W26/W34 protocol)
Audio Alert	Buzzer	Buzzer
Keypad	N/A	Keypad with 12 Keys (0 to 9, *, #)
LED Indicator	Power Indicator, Status Indicator	Power Indicator, Status Indicator
Tamper-Proof	N/A	N/A
Working Temperature	-20°C to +65°C (-4°F to 149°F)	-20°C to +65°C (-4°F to 149°F)
Working Humidity	10% to 90% (Non Condensing)	10% to 90% (Non Condensing)
Protection Level	IP65	IP65
Dimensions	115.9×43.3×17mm	115.9×43.3×17mm
Mounting Method	Wall mounting with screws. The Gang Box is not supported.	Wall mounting with screws. The Gang Box is not supported.
Certifications	FCC, CE	FCC, CE

LOCK BRACKETS



PRO LOCKS



LOCK BRACKETS



PRO LOCKS



LOCK BRACKETS



Short Description	LZ-Bracket for Magnetic Lock	Double-door Magnetic Lock	LZ-Bracket for Magnetic Lock	Single-door Magnetic Lock	U-bracket of Electric Bolt
Model	DS-K4H188-LZ	DS-K4H250D	DS-K4H250-LZ	DS-K4H250S	DS-K4T100-U1
L-bracket Dimension (L×W×H)			250×47×28.5mm (9.84×1.85×1.12")		50×30×30mm
Z-bracket Dimension (L×W×H)			180×50×50mm (7.09×1.97×1.97")		N/A
Dimension of Lock Body (L×W×H)		480×49×25.5mm		240×49×25.5mm	
Dimension of Armature Plate (L×W×H)		180×38×11mm		180×38×11mm	
Unlock Method		Current Interruption		Current Interruption	
Shell Performance			Aluminum Dural		Aluminum Dural
Maximum Thrust		300kg×2 Linear Thrust		300kg Linear Thrust	
Input Voltage		12VDC /24VDC		DC12V/DC24V	
Working Current		12V/500mA×2 24V/250mA×2		12V/500mA 24V/250mA	
Signal Output		Dry Contact NO/NC Signal Output, Support Maximum Power Rate of 3A		Dry Contact NO/NC Signal Output, Support Maximum Power Rate of 3A	
LED Indicator		Red (Door is Unlocked) Green (Door is Locked)		Red (Door is Unlocked) Green (Door is Locked)	
Suitable Door		Wooden Door, Glass Door, Metal Door, Fireproof Door	In-swing doors	Wooden Door, Glass Door, Metal Door, Fireproof Door	Fully frameless glass door
Delay Duration					
Magnetic Induction Distance					
Secure					
Surface Temperature		≤ Ambient Temperature +20°C (68°F)		≤ Ambient Temperature +20°C (68°F)	
Working Temperature		-10°C - +55°C		-10°C - +55°C	
Working Humidity		0 to 95% (Relative Humidity)		0 to 95% (Relative Humidity)	
Shell		Hard Anodizing Electroplating Operated		Hard Anodizing Electroplating Operated	
Lock Body		Eco-friendly Zinc Electroplating Operated		Eco-friendly Zinc with Electroplating Operated	
Armature Plate		Eco-friendly Zinc Electroplating Operated		Eco-friendly Zinc with Electroplating Operated	
Lifetime					
Weight		4.2kg	0.75kg	2.1kg	0.27kg



Short Description	U-bracket of Electric Bolt
Model	DS-K4T100-U2
L-bracket Dimension (L×W×H)	205×58×46mm (8.07×2.28×1.81")
Z-bracket Dimension (L×W×H)	N/A
Dimension of Lock Body (L×W×H)	
Dimension of Armature Plate (L×W×H)	
Unlock Method	
Shell Performance	Aluminum Dural
Maximum Thrust	
Input Voltage	
Working Current	
Signal Output	
LED Indicator	
Suitable Door	Fully frameless glass door
Delay Duration	
Magnetic Induction Distance	
Secure	
Surface Temperature	
Working Temperature	
Working Humidity	
Shell	
Lock Body	
Armature Plate	
Lifetime	
Weight	1.3kg

PRO LOCKS



Short Description	Electric Bolt
Model	DS-K4T100
L-bracket Dimension (L×W×H)	
Z-bracket Dimension (L×W×H)	
Dimension of Lock Body (L×W×H)	205×35×40mm (8.07×1.38×1.57")
Dimension of Armature Plate (L×W×H)	
Unlock Method	90×25×2mm (3.54×0.98×0.07")
Shell Performance	
Maximum Thrust	
Input Voltage	16mm×16mm (0.63×0.63")
Working Current	Polished and Brushed Stainless Steel, Support Thrust of 800kg
Signal Output	12VDC+10%
LED Indicator	
Suitable Door	Wooden Door, Glass Door, Metal Door, Fireproof Door
Delay Duration	0/3/6/9s Optional
Magnetic Induction Distance	8mm
Secure	Power Off for Unlocking
Surface Temperature	
Working Temperature	-10°C to +55°C
Working Humidity	0 to 95% (Relative Humidity)
Shell	
Lock Body	
Armature Plate	
Lifetime	500,000 Times of Locking Operation
Weight	0.7 kg

ECO LOCKS



Short Description	Single-door Magnetic Lock
Model	DS-K4H258S
L-bracket Dimension (L×W×H)	
Z-bracket Dimension (L×W×H)	
Dimension of Lock Body (L×W×H)	238×45×25mm (9.4×1.8×1.0")
Dimension of Armature Plate (L×W×H)	182×38×12.5mm (7.2×1.5×0.5")
Unlock Method	Current Interruption
Shell Performance	
Maximum Thrust	280kg(550Lbs) Linear Thrust
Input Voltage	12 VDC
Working Current	340mA×2
Signal Output	
LED Indicator	Green (Work Status)
Suitable Door	Wooden Door, Glass Door, Metal Door, Fireproof Door
Delay Duration	
Magnetic Induction Distance	
Secure	
Surface Temperature	≤ Ambient Temperature +20°C (68°F)
Working Temperature	-10°C~+55°C (14°F~131°F)
Working Humidity	0~95% (Relative Humidity)
Shell	Hard Anodizing Electroplating Operated
Lock Body	Eco-friendly Nickel Electroplating Operated
Armature Plate	Eco-friendly Zinc Electroplating Operated
Lifetime	
Weight	2.1kg

AUXILLIARY PRODUCTS



EXIT BUTTONS



Short Description	M1 Non-Contacting IC Card	Exit button	Touch-less Exit button	Exit button with bottom case	Emergency Break Glass
Model	DS-K7M102-M	DS-K7P01	DS-K7P03	DS-K7P06	DS-K7PEB
Dimension	26 mm × 50 mm × 4 mm	86×86×28.9mm	86×86×25.7mm	87.7×87.7×44mm	86x86x50mm
Suitable Door		All kinds of narrow doorframes	All kinds of narrow doorframes	All kinds of doors	Exit door, emergency door
Shell Performance		Aluminum alloy panel, metal button	Aluminum panel	Polished zinc alloy with chromium electroplating	Fireproof material, sandblast finished
Weight		0.25kg	0.15kg	0.23kg	0.2kg
Operating Temperature		-100 to +550	-20°C to 55°C;	-100 to +550	-100 to +550
Operating Humidity		0% to 95%	0% to 95%	0% to 95%	0% to 95%

AUXILLIARY PRODUCTS



Short Description	Protective Shield
Model	DS-KAB604-A
Dimension	150.77 mm x 349.8 mm x 50 mm
Suitable Door	
Shell Performance	
Weight	203.5 g (7.18 oz)
Operating Temperature	-40 °C to 70 °C (-40 °F to 158 °F)
Operating Humidity	

EXIT BUTTONS



Short Description	Exit button	Touch-less Exit button	Exit button with bottom case
Model	DS-K7P02	DS-K7P04	DS-K7P05
Dimension	90×35×28.9mm	90×35×37.7mm	86×50×44mm
Suitable Door	All kinds of narrow doorframes	All kinds of narrow doorframes	All kinds of doors
Shell Performance	Aluminum alloy panel, metal button	Aluminum panel	Polished zinc alloy with chromium electroplating
Weight	0.2kg	0.12kg	0.14kg
Operating Temperature	-10ℳ to +55ℳ	-20℃ to 55℃;	-10ℳ to +55ℳ
Operating Humidity	0% to 95%	0% to 95%	0% to 95%

2 WIRE GANG BOX



2 WIRE DISTRIBUTOR



2 WIRE INDOOR STATION



2 WIRE INTERCOM KIT



2 WIRE INTERCOM



Short Description	2 wire Digital Video/Gang Box	2 wire Digital Video/Audio Distributor	2 wire Digital Indoor Station	2 wire Digital video kit	2 wire Digital Door Station
Model	DS-KAB8103-IMEX	DS-KAD709	DS-KH8340-TCE2/EU-W(-B)	DS-KIS701/EU-B(-W)	DS-KV8103-IME2/EU
Processor			High-Performance Embedded SOC Processor	High-Performance Embedded SOC Processor	High-Performance Embedded SOC Processor
Camera				CMOS Low Illumination 2 MP HD Colorful 155° Fisheye Camera	CMOS Low Illumination 2 MP HD Colorful 155° Fisheye Camera
Video compression standard			H.264	H.264	H.264
Resolution				1920 × 1080	1920 × 1080
Audio input			Built-in Omnidirectional Microphone	Built-in Omnidirectional Microphone	Built-in Omnidirectional Microphone
Audio output			Built-in Loudspeaker	Built-in Loudspeaker	Built-in Loudspeaker
Exit button				Exit Button for Opening the Door	Exit Button for Opening the Door
Door magnetic detection				Detects Door Magnetic Status	Detects Door Magnetic Status
Light supplement mode				IR Supplement	IR Supplement
Ethernet				10/100 Mbps Self-Adaptive Ethernet	10/100 Mbps Self-Adaptive Ethernet
Network protocol				TCP/IP, RTSP	TCP/IP, RTSP
Network interface			Two-Wire Interface	Two-Wire Interface	Two-Wire Interface
RS-485			1, Half-duplex Interface	1 RS-485 Half-Duplex Port	1 RS-485 Half-Duplex Port
I/O input				2	2
Power supply		24 VDC	Powered by DS-KAD709	24 VDC, Power Over Network Cable (DS-KAD709)	24 VDC, Power Over Network Cable (DS-KAD709)
Power consumption		60 W	Max. 10 W	≤12 W	≤12 W
Working temperature		-10 ℃ to 55 ℃	-10 ° C to +55 ° C (14 ° F to 131 ° F)	-30 ° C to +60 ° C (-22 ° F to 140 ° F)	-30 ° C to +60 ° C (-22 ° F to 140 ° F)
Working humidity		10% to 90%, No Condensing	10% to 90%	10% to 90%	10% to 90%
IP protection level				IP 65	IP 65
Dimensions (L x W x H)		112.2 mm x 111 mm x 66 mm	196 mm × 133 mm × 25.75 mm	163 mm x 104 mm x 44 mm	163 mm x 104 mm x 44 mm
Display screen			7-inch Colorful TFT LCD	7-inch Colorful TFT LCD	
Display resolution			1024 × 600	1024 × 600	
App		Support	Support	Support	Support
panel Material				Stainless Steel	Stainless Steel

ANALOGUE INTERCOM



ANALOGUE KIT



Short Description	4 Wire Video Intercom Outdoor Station	4 Wire Video Intercom Outdoor Station	4 Wire Video Intercom Indoor Station	4 Wire Video Intercom Kit - Vandal Resistant	4 Wire Video Intercom Kit
Model	DS-KB2411-IM	DS-KB2421-IM	DS-KH2220	DS-KIS203	DS-KIS204
Camera(door station)	1/4" CMOS, Low Illumination	1/4" CMOS		1/4" CMOS, Low Illumination	1/4" CMOS, Low Illumination
Resolution(door station)	720 × 576	720 × 576		720 × 576	720 × 576
Video frame rate(door station)	PAL: 25 fps	PAL: 25 fps		PAL: 25 fps	PAL: 25 fps
Audio input(door station)	Built-in Omnidirectional Microphone	Built-in Omnidirectional Microphone		Built-in Omnidirectional Microphone	Built-in Omnidirectional Microphone
Audio output(door station)	Built-in Loudspeaker	Built-in Loudspeaker		Built-in Loudspeaker	Built-in Loudspeaker
Audio quality(door station)	Noise Suppression and Echo Cancellation	Noise Suppression and Echo Cancellation		Noise Suppression and Echo Cancellation	Noise Suppression and Echo Cancellation
Light supplement mode(door station)	Photosensitive IR Supplement, IR Range: 2 Meters	Photosensitive IR Supplement, IR Range: 2 Meters		Photosensitive IR Supplement, IR Range: 2 Meters	Photosensitive IR Supplement, IR Range: 2 Meters
Four-wire interface(door station)	1 Four-Wire Interface (1-ch Video Input, 1-ch Audio Input, 1-ch Power Supply, 1-ch Grounding)	1 Four-Wire Interface (1-ch Video Input, 1-ch Audio Input/Output, 1-ch Power Supply, 1-ch Grounding)		1 Four-Wire Interface (1-ch Video Input, 1-ch Audio Input, 1-ch Power Supply, 1-ch Grounding)	1 Four-Wire Interface (1-ch Video Input, 1-ch Audio Input, 1-ch Power Supply, 1-ch Grounding)
I/O output(door station)	1 Relay Output	1 Relay Output		1 Relay Output	1 Relay Output
Material(door station)	Metal	Zinc Alloy		Zync Alloy	Aluminium Alloy face plate/ plastic body
Power consumption(door station)	Max. 5W	Max. 5W		Max. 5W	Max. 5W
Working temperature(door station)	-30° C to +60° C	-30° C to +70° C		-30° C to +60° C	-30° C to +60° C
Working humidity(door station)	10% to 90%	10% to 90%		10% to 90%	10% to 90%
Dimensions (L × W × H) (door station)	128 mm × 42 mm × 24.8 mm	145mm × 49.2 mm × 26.45 mm		145mm × 49.2 mm × 26.45 mm	128 mm × 42 mm × 24.8 mm
Display screen(indoor station)			7-Inch Colorful TFT LCD	7-Inch Colorful TFT LCD	7-Inch Colorful TFT LCD
Display resolution(indoor station)			800 × 480	800 × 480	800 × 480
Operation method(indoor station)			Physical Button	Physical Button	Physical Button
Audio input(indoor station)			Built-in Omnidirectional Microphone	Built-in Omnidirectional Microphone	Built-in Omnidirectional Microphone
Audio output(indoor station)			Built-in Loudspeaker	Built-in Loudspeaker	Built-in Loudspeaker
Audio quality(indoor)			Noise Suppression and Echo Cancellation	Noise Suppression and Echo Cancellation	Noise Suppression and Echo Cancellation

IP INTERCOM



Short Description	Metal Compact Apartment Door Station	Metal Apartment Door Station
Model	DS-KD3002-VM	DS-KD8002-VM
Processor	High-Performance Embedded SOC Processor	High-performance Embedded SOC Processor
Camera	CMOS Low Illumination 1.3 MP HD Colorful Camera	CMOS Low Illumination 1.3 MP HD Colorful Camera
Video Compression Standards	H.264	H.264
Resolution	1280 × 720	1280 × 720
Video Frame	PAL: 25 fps, NTSC: 30 fps	PAL: 25 fps, NTSC: 30 fps
Display Screen	3.5-Inch Colorful TFT LCD	3.5-Inch Colorful TFT LCD
Operation Interface	LCD Display, Easy Menu	LCD Display, Easy Menu
Audio Input	Built-in Omnidirectional Microphone	Built-in Omnidirectional Microphone
Audio Output	Built-in Loudspeaker	Built-in Loudspeaker
Audio Compression Standard	G.711 U	G.711 U
Audio Compression Rate	64 Kbps	64 Kbps
Internal Card Reader	Built-in Mifare 1 Card Reader	Built-in Mifare-1 Card Reader
External Card Reader	Wiegand 26, Wiegand 34, or RS485 IC Reader	Wiegand 26, Wiegand 34, or RS485 IC Reader
Light Supplement Mode	Visible Light Supplement	Visible Light Supplement
Ethernet	10M/100M/1000M Self-Adaptive Ethernet	10M/100M/1000M Self-Adaptive Ethernet
Network Protocol	TCP/IP, SNMP, SIP, RTSP	TCP/IP, SNMP, SIP, RTSP
Alarm Input	Door Magnetic Alarm, Tamper Alarm	Door Magnetic Alarm, Tamper Alarm
RS-485	1 RS485 Half-Duplex Port	1 RS485 Half-Duplex Port
Wiegand	1 Wiegand Port for Accessing Wiegand RFID Card Reader	1 Wiegand Port for Accessing Wiegand RFID Card Reader
USB	1; USB2.0, Supporting U-disk	1; USB2.0, Supporting U-disk
Material	Aluminum Alloy	Aluminum Alloy
Power Supply	12 VDC	12 VDC
Working Temperature	-40° C to +60° C	-40° C to +70° C
IP Protection Level	IP65	IP65
Dimension	357 mm × 124 mm × 55 mm	418 mm × 145 mm × 61 mm
Certification	FCC, IC, CE, C-TICK, ROHS, REACH, WEEE	CE, FCC



Short Description	Apartment Door Station
Model	DS-KD8102-V
Processor	High-Performance Embedded SOC Processor
Camera	CMOS Low Illumination 1.3 MP HD Colorful Camera
Video Compression Standards	H.264
Resolution	1280 × 720
Video Frame	PAL: 25 fps, NTSC: 30 fps
Display Screen	3.5-Inch Colorful TFT LCD
Operation Interface	LCD Display, Easy Menu
Audio Input	Built-in Omnidirectional Microphone
Audio Output	Built-in Loudspeaker
Audio Compression Standard	G.711 U
Audio Compression Rate	64 Kbps
Internal Card Reader	Built-in Mifare 1 Card Reader
External Card Reader	Wiegand 26, Wiegand 34, or RS485 IC Reader
Light Supplement Mode	Visible Light Supplement
Ethernet	10M/100M/1000M Self-Adaptive Ethernet
Network Protocol	TCP/IP, SNMP, SIP, RTSP
Alarm Input	Door Magnetic Alarm, Tamper Alarm
RS-485	1 RS485 Half-Duplex Port
Wiegand	1 Wiegand Port for Accessing Wiegand RFID Card Reader
USB	1; USB2.0, Supporting U-disk
Material	Plastic
Power Supply	12 VDC
Working Temperature	-40° C to +70° C
IP Protection Level	IP65
Dimension	418 mm × 145 mm × 61 mm
Certification	CE, FCC

IP INTERCOM



Short Description	Metal 1 Button Villa Door Station	Metal 4 Button Villa Door Station
Model	DS-KV8102-IM	DS-KV8402-IM
Processor	High-Performance Embedded SOC Processor	High-Performance Embedded SOC Processor
Camera	CMOS Low Illumination 1.3 MP HD Colorful Camera	CMOS Low Illumination 1.3 MP HD Colorful Camera
Video Compression Standards	H.264	H.264
Resolution	1280 × 720	1280 × 720
Video Frame	25 fps	25 fps
Display Screen	N/A	N/A
Operation Interface	N/A	N/A
Audio Input	Built-in Omnidirectional Microphone	Built-in Omnidirectional Microphone
Audio Output	Built-in Loudspeaker	Built-in Loudspeaker
Audio Compression Standard	G.711 U	G.711 U
Audio Compression Rate	64 Kbps	64 Kbps
Internal Card Reader	Built-in Mifare-1 Card Reader	Built-in Mifare-1 Card Reader
External Card Reader	Door Button for Opening the Door	Door Button for Opening the Door
Light Supplement Mode	IR Supplement	IR Supplement
Ethernet	10M/100M Self-Adaptive Ethernet	10M/100M Self-Adaptive Ethernet
Network Protocol	TCP/IP, SNMP, SIP, RTSP	TCP/IP, SNMP, SIP, RTSP
Alarm Input	Door Magnetic Alarm; Tampering Alarm	Door Magnetic Alarm; Tampering Alarm
RS-485	1 RS485 Half-Duplex Port	1 RS485 Half-Duplex Port
Wiegand	1	4
USB	N/A	N/A
Material	Aluminum alloy	Aluminum alloy
Power Supply	Power Over Network Cable (DS-KAD606 ,DS-KAD612)/12 VDC	Power Over Network Cable (DS-KAD606 ,DS-KAD612)/12 VDC
Working Temperature	-40° C to +70° C	-40° C to +70° C
IP Protection Level	IP65	IP65
Dimension	182 mm × 100 mm × 32.5 mm	182 mm × 100 mm × 32.5 mm
Certification	CE, FCC	CE, FCC

INDOOR STATIONS



Short Description	Video Intercom Indoor Station	Video Intercom Indoor Station
Model	DS-KH6210-L	DS-KH6310
Processor	High-Performance Embedded SOC Processor	High-Performance Embedded SOC Processor
Operation System	Embedded Linux Operation System	Embedded Linux Operation System
Camera	N/A	N/A
Video Compression Standards	N/A	N/A
Resolution	N/A	N/A
Video Frame	N/A	N/A
Display Screen	7-Inch Colorful TFT LCD	7-Inch Colorful TFT LCD
Display Resolution	800 × 480	800 × 480
Operation Method	Physical Key	Capacitive Touch Screen, Physical Key
Operation Interface	Flattened UI Operation Interface	Flattened UI Operation Interface
Audio Input	Built-in Omnidirectional Microphone	Built-in Omnidirectional Microphone
Audio Output	Built-in Loudspeaker	Built-in Loudspeaker
Audio Compression Standard	G.711 U	G.711 U
Audio Compression Rate	64 Kbps	64 Kbps
Ethernet	10M/100M Self-Adaptive Ethernet	10M/100M Self-Adaptive Ethernet
Wireless Internet	N/A	Wi-Fi 802.11 b/g/n
Network Protocol	TCP/IP, SNMP, SIP, RTSP	TCP/IP, SNMP, SIP, RTSP
Network Access	1 RJ45 10M/100M Self-Adaptive Ethernet Access	1 RJ45 10M/100M Self-Adaptive Ethernet Access
RS485	N/A	1; RS-485 Half-Duplex
USB	N/A	N/A
I/O Output	N/A	1
I/O Input	2-ch Alarm Sensor Input	8-ch Alarm Sensor Input
SD Card	N/A	N/A
Power Supply	24 VDC, Power Over Network Cable (DS-KAD606, DS-KAD612)/12 V DC	24 VDC, Power Over Network Cable (DS-KAD606, DS-KAD612)/12 V DC
Power Consumption	≤10W	≤10W
Working Temperature	-10° C to +55° C (14° F to 131° F)	-10° C to +55° C (14° F to 131° F)
Dimension (L x W x H)	195.8 mm × 132.8 mm × 17.5 mm	195.8 mm × 132.8 mm × 17.5 mm
Certification	CE, FCC	CE, FCC



Short Description	Video Intercom Indoor Station	Video Intercom Indoor Station
Model	DS-KH6310/-W	DS-KH6310-WL
Processor	High-Performance Embedded SOC Processor	High-Performance Embedded SOC Processor
Operation System	Embedded Linux Operation System	Embedded Linux Operation System
Camera	N/A	N/A
Video Compression Standards	N/A	N/A
Resolution	N/A	N/A
Video Frame	N/A	N/A
Display Screen	7-Inch Colorful TFT LCD	7-Inch Colorful TFT LCD
Display Resolution	800 × 480	800 × 480
Operation Method	Capacitive Touch Screen, Physical Key	Capacitive Touch Screen, Physical Key
Operation Interface	Flattened UI Operation Interface	Flattened UI Operation Interface
Audio Input	Built-in Omnidirectional Microphone	Built-in Omnidirectional Microphone
Audio Output	Built-in Loudspeaker	Built-in Loudspeaker
Audio Compression Standard	G.711 U	G.711 U
Audio Compression Rate	64 Kbps	64 Kbps
Ethernet	10M/100M Self-Adaptive Ethernet	1 RJ-45 10/100 Mbps Self-Adaptive Ethernet Interface
Wireless Internet	N/A	Wi-Fi 802.11b/g/n
Network Protocol	TCP/IP, SNMP, SIP, RTSP	TCP/IP, RTSP
Network Access	1 RJ45 10M/100M Self-Adaptive Ethernet Access	1 RJ-45 10/100 Mbps Self-Adaptive Ethernet Interface
RS485	1; RS-485 Half-Duplex	1 RS-485 Half-Duplex Port
USB	N/A	N/A
I/O Output	1	1
I/O Input	8-ch Alarm Sensor Input	N/A
SD Card	N/A	2-ch Alarm Sensor Input
Power Supply	24 VDC, Power Over Network Cable (DS-KAD606, DS-KAD612)/12 V DC	24 VDC, Power Over Network Cable (DS-KAD606, DS-KAD612)/12 V DC
Power Consumption	≤10W	≤10 W
Working Temperature	-10° C to +55° C (14° F to 131° F)	-10° C to + 55° C (14° F to 131° F)
Dimension (L x W x H)	195.8 mm × 132.8 mm × 17.5 mm	217 mm × 142 mm × 26 mm (8.5" × 5.6" × 1.0")
Certification	CE, FCC	FCC, IC, CE, C-TICK, ROHS, REACH, WEEE

INDOOR STATIONS



Short Description	Video Intercom Indoor Station	Video Intercom Indoor Station
Model	DS-KH8300-T	DS-KH8301-WT
Processor	High-Performance Embedded SOC Processor	High-Performance Embedded SOC Processor
Operation System	Embedded Linux Operation System	Embedded Linux Operation System
Camera	N/A	CMOS 0.3MP, Mechanical Switch
Video Compression Standards	N/A	H.264
Resolution	N/A	640x480
Video Frame	N/A	PAL: 25 fps, NTSC: 30 fps
Display Screen	7-Inch Colorful TFT LCD	7-Inch Colorful TFT LCD
Display Resolution	1024 × 600	1024 × 600
Operation Method	Capacitive Touch Screen, Touch Key	Capacitive Touch Screen, Touch Key
Operation Interface	Flattened UI Operation Interface	Flattened UI Operation Interface
Audio Input	Built-in Omnidirectional Microphone	Built-in Omnidirectional Microphone
Audio Output	Built-in Loudspeaker	Built-in Loudspeaker
Audio Compression Standard	G.711 U	G.711 U
Audio Compression Rate	64 Kbps	64 Kbps
Ethernet	10M/100M Self-Adaptive Ethernet	10M/100M Self-Adaptive Ethernet
Wireless Internet	N/A	Wi-Fi 802.11b/g/n
Network Protocol	TCP/IP, SNMP, SIP, RTSP	TCP/IP, SNMP, SIP, RTSP
Network Access	1 RJ45 10M/100M Self-Adaption Ethernet Interface	1 RJ45 10M/100M Self-Adaption Ethernet Interface
RS485	2; RS485 Half-Duplex	2; RS485 Half-Duplex
USB	N/A	N/A
I/O Output	2	2
I/O Input	8-ch Alarm Sensor Input	8-ch Alarm Sensor Input
SD Card	TF Card; Supporting Max. 32GB	TF Card; Supporting Max. 32GB
Power Supply	24 VDC, Power Over Network Cable (DS-KAD606, DS-KAD612)/12 V DC	24 VDC, Power Over Network Cable (DS-KAD606, DS-KAD612)/12 V DC
Power Consumption	≤10 W	≤10 W
Working Temperature	-10° C to +55° C (14° F to 131° F)	-10° C to +55° C (14° F to 131° F)
Dimension (L x W x H)	217 mm × 142 mm × 26 mm	217 mm × 142 mm × 26 mm
Certification	CE, FCC	CE, FCC



Short Description	Master Station
Model	DS-KM8301
Processor	High-Performance Embedded SOC Processor
Operation System	Embedded Linux Operation System
Camera	CMOS 0.3MP
Video Compression Standards	H.264
Resolution	640x480
Video Frame	PAL: 25 fps, NTSC: 30 fps
Display Screen	7-Inch Colorful TFT LCD
Display Resolution	1024 × 600
Operation Method	Capacitive Touch Screen, Touch Key, Physical Button
Operation Interface	Flattened UI Operation Interface
Audio Input	Built-in Omnidirectional Microphone + External Handset
Audio Output	Built-in Loudspeaker + External Handset
Audio Compression Standard	G.711 U
Audio Compression Rate	64 Kbps
Ethernet	1 RJ45 10M/100M/1000M Self-Adaptive Ethernet
Wireless Internet	
Network Protocol	TCP/IP, SNMP, SIP, RTSP
Network Access	1 RJ45 10M/100M/1000M Self-Adaption Internet Access
RS485	2 RS485 Half-Duplex Ports
USB	1 USB Interface for Inserting U-Disk
I/O Output	2 On-Off Output, 2 Relay Output
I/O Input	4 On-Off Input
SD Card	N/A
Power Supply	DC 12V
Power Consumption	≤10 W
Working Temperature	-10°C to +55°C [14° F to 131° F]
Dimension (L x W x H)	436 mm × 215 mm × 67 mm
Certification	CE, FCC

DOORBELL



Short Description	WI-FI Video Doorbell
Model	DS-KB6403-IP
Processor	High-Performance Embedded SOC Processor
Operation system	Embedded Linux Operation System
Image sensor	CMOS 2MP HD Colorful Camera
Light sensitivity	Low Illumination
Field of view	180°
Video compression standard	H.264
Video streaming	Dual Stream Main Stream: 1080P@30fps, Sub-Stream: VGA@30fps
Resolution	1920 × 1080
Video frame rate	PAL: 25 fps, NTSC: 30 fps
Wide dynamic range	WDR
Motion detection	Yes
Audio input	Built-in Omnidirectional Microphone
Audio output	Built-in Loudspeaker
Audio compression standard	G.711 U
Audio compression rate	64 Kbps
Audio quality	Noise Suppression and Echo Cancellation
Light supplement mode	IR Supplement, IR Distance: 5 Meters
Network protocol	TCP/IP, RTSP
Network interface	1 Wireless Interface (Wireless Network Card)
Certification	CE
TF card	Max. 128 G
Power supply	DC 12V
Working temperature	-30° C to +50° C (-22° F to 122° F)
Working humidity	10% to 90%
IP protection level	IP54
Reset button	Yes

INSTALLATION BOX, COVER AND STAND



Short Description	Protective Heavy-Duty Shield	Protective Shield	Protective Shield	Gang Box
Model	DS-KAB01	DS-KAB02	DS-KAB03-V	DS-KAB86
Compatibility	DS-KV8X02-IM	DS-KV8X02-IM	DS-KV8102-IP/VP	All Indoor Stations
Housing material	Stainless Steel SUS201	Stainless Steel SUS201	Stainless Steel	PVC
Inner-shell material	S6CC	S6CC	S6CC	
Working temperature	-30° C to +60° C	-30° C to +60° C	-40° C to +70° C	-5° C to +60° C
Working humidity	10% to 90%	10% to 90%	10% to 90%	10% to 90%
Dimension (L x W x H)	212×115×75	193×106×75 mm	172.3×100×71 mm	81×78×50 mm

INSTALLATION BOX, COVER AND STAND



Short Description

Indoor Station Table Stand

Model	DS-KAB21-H
Compatibility	DS-KH83XX/63XX
Housing material	Stainless Steel
Inner-shell material	S6CC
Working temperature	-40° C to +70° C
Working humidity	10% to 90%
Dimension (L x W x H)	130.6x98.67x101.62 mm

IP DISTRIBUTOR



POWER SUPPLY



Short Description	Video/Audio distributor	Slim Size Video/Audio distributor	Slim Size Video/Audio distributor	Video/Audio distributor	Power Supply for DS-KAD606-N
Model	DS-KAD606	DS-KAD606-N	DS-KAD606-P	DS-KAD612	DS-KAW150-2N
Interface Number		Sixteen 10M/100M Interfaces	Interface type RJ-45	Eight 10/100M Interfaces	
Interface Type		RJ45, Full/Half-Duplex, MDI/MDI-X Self-Adaptive	RJ45, Full/Half-Duplex, MDI/MDI-X Self-Adaptive	RJ45, Full/Half-Duplex, MDI/MDI-X Self-Adaptive	12VDC
Standard		IEEE802.3, IEEE802.3u, IEEE802.3x	IEEE802.3, IEEE802.3u, IEEE802.3x	IEEE802.3, IEEE802.3u, IEEE802.3x	
Processing Type		Storing and Forwarding	Storing and Forwarding	Storing and Forwarding	
Flow Control		IEEE802.3x(Full-Duplex),	IEEE802.3x(Full-Duplex),	IEEE802.3x(Full-Duplex),	
Interface type		Back Pressure(Half-Duplex)	Back Pressure(Half-Duplex)	Back Pressure(Half-Duplex)	
Priority queue		Four	Four	Four	
MAC Address List		8K	8K	8K	
Internal Buffer		1 Mbit	1 Mbit	1 Mbit	
Power Supply		AC 220 V	Power supply 24 VDC (Not Included)	AC 220 V	100-240VAC
Voltage Adjustment Range					11-14Vdc
Output Power					50W
Output Current					4.17A
Noise and Ripple					< 150mVpp
Power Dissipation		<6 W	≤8 W	<3 W	
Operating Temperature		-30° C to 70° C	-30° C to 70° C	-30° C to 70° C	-10~+70
Operating Humidity		5 to 95%, No Condensation	5 to 95%, No Condensation	5 to 95%, No Condensation	5 to 95%, No Condensation
Size		275.2x92x102.2 mm	274.5×142× 51 mm	275.2x92x102.2 mm	98*97*38mm
Weight					0.23kg
Certification		FCC, CE	FCC, CE	FCC, CE	



Short Description	Power Supply for Door Station in Metal Box	Power Supply for Door Station without Box
Model	DS-KAW50-1	DS-KAW50-1N
Interface Number	Interface type RJ-45	
Interface Type	RJ45, Full/Half-Duplex, MDI/MDI-X Self-Adaptive	12VDC
Standard	IEEE802.3, IEEE802.3u, IEEE802.3x	
Processing Type	Storing and Forwarding	
Flow Control	IEEE802.3x(Full-Duplex),	
Interface type	Back Pressure(Half-Duplex)	
Priority queue	Four	
MAC Address List	8K	
Internal Buffer	1 Mbit	
Power Supply	Power supply 24 VDC (Included)	100-240VAC
Voltage Adjustment Range	11-14Vdc	
Output Power	50W	
Output Current	4.17A	
Noise and Ripple	< 150mVpp	
Power Dissipation	≤8 W	
Operating Temperature	-30° C to 70° C	-10~+70
Operating Humidity	5 to 95%, No Condensation	
Size	274.5×142× 51 mm	98*97*38mm
Weight	0.23kg	
Certification	FCC, CE	



MONITORS

Hikvision also offers a selection of monitors to complement your security solution. Whatever size you need - from 19" to 84", our LED displays give you eyes on your security solution.

SWITCHES

Hikvision also offers a range of professional switches to maximise the effect of your solution by extending your reach and increasing your data capacity.

DE-/ENCODERS

There are a number of Decoder and Encoder products to choose from to complement your solution.

KEYBOARDS & ACCESSORIES

To further enhance any surveillance system, Hikvision provides a comprehensive set of keyboards & accessories; video balun, coaxial transmission, PoE video repeaters, microphone, HDD and brackets.

18.5"



21.5"



23.6"



Short Description	18.5" Monitor	21.5" LED Monitor	21.5" LED Monitor	23.6" LED Monitor
Model	DS-D5019QE-B	DS-D5022FC	DS-D5022QE-B	DS-D5024FC
Display Type	LED-Backlit TFT LCD	LED-Backlit	LED-Backlit	LED-Backlit
Resolution	1366 x 768	1920 x 1080	1920 x 1080	1920 x 1080
Contrast	600:1	1000:1	1000:1	1000:1(Typical) DCR 30,000,000:1
Response Time	5ms	5ms	5ms	5ms
VESA	75 mm x 75 mm	100mm x 100mm	100mm x 100mm	100mm x 100mm
Power Supply	100 to 240 VAC, 50/60Hz	DC 12V/3.0A	100 ~ 240V AC	AC 100-240V
Power Consumption	< 25 W(on) < 0.5 W(Standby)	< 30W(on) < 0.5W(Standby)	< 30W(on) < 0.4W(Standby)	< 30W(on) < 0.5W(Standby)
Operation Temperature	0°C ~ 40 °C	0°C ~ 40 °C	0°C ~ 40 °C	0°C ~ 40 °C
Dimension	445.58 mm x 274.99 mm x 44.6mm	511.4mm x 313.0mm x 45.4mm	511mm x 377mm x 170mm	561x339x218.5 (mm) 22.1x13.3x8.6(inch)
Frame Width/Height (T/B/L/R)				
Weight	3.5 Kg(Gross weight) , 2.8 Kg(Net weight)	4.6Kg(Gross weight) , 3.2(Net weight)	4.5Kg(Gross weight) , 3.3(Net weight)	6.0Kg(Gross weight) , 5.1(Net weight)

23.8"



NEW

27"



NEW

32"



32"



Short Description	23.8" Monitor	27" Monitor	32" LED Monitor	32" Monitor
Model	DS-D5024QE	DS-D5027QE	DS-D5032FC	DS-D5032FL
Display Type	LED-Backlit TFT LCD	TFT-LED Backlight	TFT-LED Backlight	LED-Backlit TFT LCD
Resolution	1920 x 1080	1920 x 1080	1920 x 1080	1920 x 1080
Contrast	1000:1(Typical)	1000:1	3000:1	3000:1
Response Time	14ms	14ms	6.5ms	6.5 ms
VESA			200mm x 100mm	200 mm x 200 mm
Power Supply	AC100V--240V 50/60Hz	100 to 240 VAC, 50/60Hz	100 ~ 240V AC, 50/60Hz	100 to 240 VAC, 50/60Hz
Power Consumption	≤30W	≤ 35W	≤ 55W	< 60W(on) < 1W(Standby)
Operation Temperature	0 to 40 ° C	0 to 40 ° C	5°C - 40°C	0°C - 40 °C
Dimension	555 mm×339 mm×46 mm / 555mm×433mm×226mm(with base)	646 mm×385 mm×50 mm / 646 mm×447 mm×220 mm(with base)	743.95mm × 443.40mm × 58.70mm	737.4 mm × 452.5 mm × 70.65 mm (29.03" x 17.81" x 2.78")
Frame Width/Height (T/B/L/R)				
Weight	5.1Kg(Gross weight) , 3.7Kg(Net weight)	6.7 kg(Gross weight) , 5.34 kg(Net weight)	10.6Kg(Gross weight) , 8Kg(Net weight)	19 Kg(Gross weight) ,12 Kg (Net weight)

40"



43"



Short Description	40" Monitor	43" Monitor
Model	DS-D5040FC	DS-D5043FC
Display Type	TFT-LED Backlight	TFT-LED Backlight
Resolution	1920 x 1080	1920 x 1080
Contrast	5000 : 1	1200:1
Response Time	9.5 ms	8ms
VESA		
Power Supply	100 ~ 240 V AC, 50/60 Hz	100 ~ 240 V AC, 50/60 Hz
Power Consumption	≤ 60W	≤ 65W
Operation Temperature	0 to 40 ° C	0 to 40 ° C
Dimension	908.4 mm x 516.9 mm x 47.8 mm	968.2 mm x 565.2 mm x 78.5 mm
Frame Width/Height (T/B/L/R)		
Weight	11 Kg(Gross weight) , 8.5 Kg(Net weight)	9.1 Kg±1.5 Kg

55"



Short Description	55" Ultra HD Display
Model	DS-D5055UL-B
Display Type	LCD Backlight
Resolution	3840 × 2160
Contrast	1100:1
Response Time	8 ms
VESA	
Power Supply	100 to 240 VAC, 50/60Hz
Power Consumption	≤ 100 W
Operation Temperature	0 to 40 ° C (0 to 104 ° F)
Dimension	
Frame Width/Height (T/B/L/R)	
Weight	≤ 41 kg (90.4 lb)[Gross weight], ≤ 35 kg (77.2 lb)[Net weight]

28"



50"



Short Description	28" Monitor	50" Monitor
Model	DS-D5028UC	DS-D5050UC
Display Type	LED Backlight	LED Backlight
Resolution	1920×1080@60Hz(Analog),3840×2160@60Hz(HDMI2.0/DP)	3840 × 2160@60Hz
Contrast	1100 : 1	4000: 1
Response Time	5.5 ms	8ms
VESA		
Power Supply	AC 110-240V; 50/60Hz	100 to 240 VAC, 50/60Hz
Power Consumption	≤45W(Typ), ≤70W(Max)	≤ 117W
Operation Temperature	0 to 40 ° C (0 to 104 ° F)	0 to 40 ° C (0 to 104 ° F)
Dimension	659.7(W)X390.9(H)X49.3mm(D)	1123.6 × 649.3 × 77 mm
Frame Width/Height (T/B/L/R)		
Weight	7.2Kg(Gross weight) , 5.6 Kg(Net weight)	12.35Kg(Gross weight) , 12.00 Kg(Net weight)

5 PORTS



8 PORTS



9 PORTS



Short Description	4-ports 100Mbps Unmanaged PoE Switch	DS-3E Series Unmanaged PoE Switch	8-ports 100Mbps Unmanaged PoE Switch	DS-3E Series Unmanaged PoE Switch
Model	DS-3E0105P-E	DS-3E0108P-E	DS-3E0109P-E	DS-3E0109P-E/M
Network Ports	5	8	9	9
Switching Capacity	16bps	1.6 Gbps	1.8Gbps	1.8 Gbps
Max. Forwarding Rate	0.74Mpps		1.34Mpps	
High Priority Ports	Port 1		Ports 1-2	Port 1 - 2
Flow Control	IEEE802.3x full duplex		IEEE802.3x full duplex	
PoE Standard	IEEE802.3af, IEEE802.3at	IEEE 802.3af, IEEE802.3at	IEEE802.3af, IEEE802.3at	IEEE 802.3af, IEEE802.3at
PoE Power Budget	58W		123W	58 W
Working Mode	Extend On:250m,10M,CAT 5eExtend Off:100m		Extend On:250m,10M,CAT 5eExtend Off:100m	EXTEND OFF, EXTEND ON
Power Supply	51V DC, 1.25A	51 V DC, 1.25 A	51V DC, 2.5A	51 V DC
Working Temperature	00-400	0 °C ~ 40 °C	00-400	0 °C ~ 40 °C

18 PORTS



26 PORTS



Short Description	16-ports 100Mbps Unmanaged PoE Switch	DS-3E Series Unmanaged PoE Switch	24-ports 100Mbps Unmanaged PoE Switch	DS-3E Series Unmanaged PoE Switch
Model	DS-3E0318P-E	DS-3E0318P-E/M	DS-3E0326P-E	DS-3E0326P-E/M
Network Ports	18	18	26	26
Switching Capacity	7.2Gbps	7.2 Gbps	8.8Gbps	8.8 Gbps
Max. Forwarding Rate	5.36Mpps		6.55Mpps	
High Priority Ports	Ports 1-8	Port 1 - 8	Ports 1-8	Port 1 - 8
Flow Control	IEEE802.3x full duplex		IEEE802.3x full duplex	
PoE Standard	IEEE802.3af,IEEE802.3at	IEEE 802.3af, IEEE802.3at	IEEE802.3af, IEEE802.3at	IEEE 802.3af, IEEE802.3at
PoE Power Budget	230W	135 W	370W	225 W
Working Mode	Extend On:250m,10M,CAT 5e Extend Off:100m	Priority, Standard, Isolate, Extend	Extend On:250m,10M,CAT 5e Extend Off:100m	
Power Supply	100-240V AC, 50/60Hz	100-240 V AC, 50/60 Hz	100-240V AC, 50/60Hz	100-240 V AC, 50/60 Hz
Working Temperature	00-400	0 °C ~ 40 °C	00-400	0 °C ~ 40 °C

10 PORTS



18 PORTS



26 PORTS



Short Description

Web-managed PoE switch with 8 100M PoE electrical ports and 2 1000M COMBO ports

Web-managed PoE switch with 16 100M PoE electrical ports and 2 1000M COMBO ports

Web-managed PoE switch with 24 100M PoE electrical ports and 2 1000M COMBO ports

Model	DS-3E1310P-E	DS-3E1318P-E	DS-3E1326P-E
Network Ports	10	18	26
Switching Capacity	802.3x, IEEE802.3z	802.3x, IEEE802.3z	8.8 Gbps
Max. Forwarding Rate			
High Priority Ports	Port 1 to 8	Port 1 to 8	Port 1 - 8
Flow Control			
PoE Standard	IEEE 802.3af, IEEE802.3at	IEEE 802.3af, IEEE802.3at	IEEE 802.3af, IEEE802.3at
PoE Power Budget	123W	230W	370W
Working Mode	Extend On:250m,10M,CAT 5eExtend Off:100m	Extend On:250m,10M,CAT 5e Extend Off:100m	
Power Supply	100-240V AC, 50/60Hz	100-240V AC, 50/60Hz	100 to 240 VAC, 50/60Hz
Working Temperature	00-400	00-400	0 °C to +40 °C (+32 °F to +104 °F)

SECURITY RADAR



Model	DS-PR1-60
Modulation	Frequency Modulated Continuous Wave
Detection range	60 m
Horizontal angle	100°
Range measurement accuracy	± 0.75 m
Velocity measurement accuracy	± 0.1 m/s
Angle measurement accuracy	± 0.1 °
Velocity range	- 8.7 to + 8.7 m/s
Coverage	3000 m2 (32275.2 ft2)
Max. target number	32
Frequency	24 GHz
Transmission power	< 20 dBm (100mW)
Zone	8
Relay output NO/NC	3-channel : 0.5 A/125 VAC, breakdown voltage : 1 KV 1-channel : 10 A/240 VAC, breakdown voltage : 2.5 KV
Network protocol	HTTP, DNS, NTP, TCP, UDP, DHCP, ARP, SSH
Network interface	1 RJ45 10M/100M self-adaptive, PoE
Power interface	802.3at standard PoE or 12 VDC
Reset button	1
Operation temperature	-40 °C to 65 °C (-40 °F to 149 °F)
Operation humidity	10% to 90%
Dimension (W × H × D)	206 mm × 228 mm × 61 mm (8.11" × 8.98" × 2.40")
Consumption	<10 W
Protection level	IP67
Weight	1.84 kg (4.06 lb)
Color	White
Installation	Installation height:1.2 m to 4 m (4.72 " to 15.7 ") [Recommended: 2.5 m (9.84 ")]

WIRED INDOOR PIR



Model	DS-PD1-P10P	DS-PD2-P10PE	DS-PD2-P15E	DS-PD2-P18CE	DS-PD2-P120E-C
Detection Range	10m	10m	15m	18m	12m
Detection Angle	90°	85 °	85°	20°	360°
Mounting Height (m)	1.8-2.4	1.8-2.4	1.8-2.4	1.8-2.4	2.4-4
Anti-masking	-	-	-	-	-
Anti blocking	-	-	-	-	-
Animal immunity (kg)	up to 10	up to 24	-	-	-
Blue Wave technology	Support	Support	Support	Support	-
Automatic sensitivity	-	Support	Support	Support	Support
Digital temperature compensation	Support	Support	Support	Support	Support
Separate indication: microwave, PIR and alarm	-	-	-	-	-
3 microwave frequencies to avoid interference	-	-	-	-	-
DEOL resistors on board	-	Support	Support	Support	Support
Tamper protection	Front	Front	Front	Front	Front
Signal Strength Indicators (SSI)	-	-	-	-	-
Dimensions (mm)	82 x 50 x 41	117 x 69 x 50	117 x 69 x 50	117 x 69 x 50	94 x 24 x 33
Direct light filter (Lux)	6500	6500	-	-	-
Optics	-	Sealed optics	Sealed optics	Sealed optics	Sealed optics
Geometric lens configuration	-	3D	3D	3D	3D
Ceiling mounted bracket included	YES	YES	YES	YES	-
Wall mounted bracket included	YES	YES	YES	YES	-

WIRED INDOOR DUAL-TECH



WIRED OUTDOOR DUAL-TECH



NEW

NEW

Model	DS-PD2-D15E	DS-PD2-D10PE	DS-PD2-D15AME
Detection Range (m)	15m	10m	15/18/30m
Detection Angle	85°	85°	85°
Mounting Height (m)	1.8-2.4	1.8-2.4	1.8-2.4
Anti-masking	-	-	Support
Anti-blocking	-	-	Support
Anti-Sway Analytics	-	up to 24	-
Animal immunity (kg)	Support	Support	Support
3 detection logic: 2 pir + mw	Support	Support	Support
Automatic sensitivity	Support	Support	Support
IFT technology	Support	Support	Support
Digital temperature compensation	Support	Support	Support
Separate indication: microwave, infrared, alarm	Support	Support	Support
Blue Wave Technology	Front	Front	Front and rear/Bracket
DEOL on board	-	-	-
Tamper protection	117 x 69 x 50	117 x 69 x 50	117 x 69 x 50
Intergrated walk test buzzer	-	-	-
Optics	Sealed optics	Sealed optics	Sealed optics
Weatherproof	3D	3D	3D
Physical dimensions (H x W x D) (mm)	YES	YES	YES
Microwave frequency	YES	YES	YES

Model	DS-PD2-T10AME-EH	DS-PD2-T12AME-EL
Detection Range (m)	10	12
Detection Angle	90°	90°
Mounting Height (m)	1.8-2.4	1-1.5
Anti-masking	Support	Support
Anti-blocking	Support	Support
Anti-Sway Analytics	-	Support
Animal immunity (kg)	Up to 10	Up to 35
3 detection logic: 2 pir + mw	Support	Support
Automatic sensitivity	Support	Support
IFT technology	Support	Support
Digital temperature compensation	Support	Support
Separate indication: microwave, infrared, alarm	Support	Support
Blue Wave Technology	Support	Support
DEOL on board	Support	Support
Tamper protection	Front and rear/Bracket	Front and rear/Bracket
Intergrated walk test buzzer	Support	Support
Optics	Sealed	Sealed
Weatherproof	IP55 rated	IP55 rated
Physical dimensions (H x W x D) (mm)	188 x 77 x 84	188 x 77 x 84
Microwave frequency	10.515, 10.525, 10.5356Hz	10.515, 10.525, 10.5356Hz

AXIOM HUB



	LAN+WIFI	LAN+WIFI+GPRS	LAN+WIFI+3/4G	LAN+WIFI, RF Card	LAN+WIFI+GPRS, RF Card	LAN+WIFI+3/4G, RF Card
Model	DS-PWA32-H	DS-PWA32-HG	DS-PWA32-HS	DS-PWA32-HR	DS-PWA32-HGR	DS-PWA32-HSR
Color	Black/White	Black/White	Black/White	Black/White	Black/White	Black/White
Frequency	433MHz/868MHz	433MHz/868MHz	433MHz/868MHz	433MHz/868MHz	433MHz/868MHz	433MHz/868MHz
Transmission distance	800m(pen area)	800m(pen area)	800m(pen area)	800m(pen area)	800m(pen area)	800m(pen area)
Ethernet	RJ45 10M/100M adaptable Ethernet interface	RJ45 10M/100M adaptable Ethernet interface	RJ45 10M/100M adaptable Ethernet interface	RJ45 10M/100M adaptable Ethernet interface	RJ45 10M/100M adaptable Ethernet interface	RJ45 10M/100M adaptable Ethernet interface
WIFI protocol standard	802.11b/g/n	802.11b/g/n	802.11b/g/n	802.11b/g/n	802.11b/g/n	802.11b/g/n
GPRS (SMS&Call)	-	Support	-	-	Support	-
3G/4G (SMS&Call)	-	-	Support	-	-	Support
Keypad	-	-	-	-	-	-
LCD Screen	-	-	-	-	-	-
Tag Reader	-	-	-	Support	Support	Support
Wireless input	32	32	32	32	32	32
Wireless keyfob	8	8	8	8	8	8
Wireless output expander	4	4	4	4	4	4
Wireless siren	2	2	2	2	2	2
Voice prompt	1-CH loudspeaker	1-CH loudspeaker	1-CH loudspeaker	1-CH loudspeaker	1-CH loudspeaker	1-CH loudspeaker
Tamper switch	Support	Support	Support	Support	Support	Support
Power interface	5V DC	5V DC	5V DC	5V DC	5V DC	5V DC
Backup battery	Lithium battery (4520mAh)	Lithium battery (4520mAh)	Lithium battery (4520mAh)	Lithium battery (4520mAh)	Lithium battery (4520mAh)	Lithium battery (4520mAh)
Power Consumption	<10 W	<10 W	<10 W	<10 W	<10 W	<10 W

WIRELESS INDOOR PIR



WIRELESS INDOOR DUAL-TECH



Model	DS-PD2-P25-W	DS-PD2-P15C-W	DS-PD2-P10P-W	DS-PD2-D12-W	DS-PD2-D10P-W
Detection Range	25m	15m	10m	12m	10m
Detection Angle	85°	20°	85°	85°	85°
Detection Zones	46 zones, 6 planes	24 zones, 6 planes	56 zones, 6 planes	60 zones, 7 planes	56 zones, 6 planes
Mounting Height (m)	1.8-2.4	1.8-2.4	1.8-2.4	1.8-2.4	1.8-2.4
Anti-masking	-	-	-	-	-
Anti blocking	-	-	-	-	-
Animal immunity (kg)	-	-	up to 24	-	Up to 24
Blue Wave technology	Support	Support	Support	Support	Support
Automatic sensitivity	Support	Support	Support	Support	Support
Digital temperature compensation	Support	Support	Support	Support	Support
Separate indication: microwave, PIR and alarm	-	-	-	Support	Support
3 microwave frequencies to avoid interference	-	-	-	Support	Support
Tamper protection	Front and rear/Bracket	Front and rear/Bracket	Front and rear/Bracket	Front and rear/Bracket	Front and rear/Bracket
Signal Strength Indicators (SSI)	Support	Support	Support	Support	Support
Transmission frequency	433MHz, FM transceiver	433MHz, FM transceiver	433MHz, FM transceiver	433MHz, FM transceiver	433MHz, FM transceiver
Range in open space (m)	800	800	800	800	800
3V lithium battery included	1x CR123A	1x CR123A	1x CR123A	2x CR123A	2x CR123A
Ceiling mounted bracket included	YES	YES	YES	YES	YES
Wall mounted bracket included	YES	YES	YES	YES	YES

WIRELESS OUTDOOR
DUAL-TECH



Model	DS-PD2-T10P-WEH	DS-PD2-T12P-WEL
Detection Range (m)	10	12
Mounting Height (m)	1.8-2.4	1-1.5
Two-way wireless technology	Support	Support
Intergrated walk test buzzer	Support	Support
Separate LED indication	Top: Microwave, PIR 1 and alarm Bottom: PIR 2	Top: Microwave, PIR 1 and alarm Bottom: PIR 2
3 microwave frequencies to avoid interference	Support	Support
Anti-Sway Analytics	Support	Support
Animal immunity (kg)	10	Up to 35
Adjustable sensitivity	High or low range	High or low range
White light filter (Lux)	2500	2500
Detection method	Tri-Signal Detection Logic	Tri-Signal Detection Logic
Sensor	2 low -ise dual element passive infrared sensors and a microwave doppler unit	2 low -ise dual element passive infrared sensors and a microwave doppler unit
Weatherproof	IP55 rated	IP55 rated
Storage temperature	-40°C - 80°C	-40°C - 80°C
Physical dimensions (H x W x D) (mm)	180 x 80 x 105	188 x 77 x 84
Transmission frequency	433MHz, FM transceiver	433MHz, FM transceiver
Range in open space (m)	800	800
Battery type	3V Lithium battery (included)	3V Lithium battery (included)

WIRELESS PIR DETECTOR



Model	DS-PD2-P10P-W	DS-PD2-P15C-W	DS-PD2-P25-W
Coverage	Volumetric	Curtain	Long range
Maximum range	10m	15m	25m
Optimal installation height	1.8-2.4m	4m	1.8-2.4m
Creep-zone protection	-	Support	Support
Animal Immunity	Up to 25kg	-	-
Blue Wave Technology	Support	Support	Support
Automatic Sensivity	Support	Support	Support
Digital Temperature Compensation	Support	Support	Support
Tamper protection included	Support	Support	Support
Signal Strength indicators(SSl)	Support	Support	Support
Transmission Frequency	868MHz, FM transceiver	868MHz, FM transceiver	868MHz, FM transceiver
Range in open space	800m	800m	800m
Minimum battery life (years)	2	2	2
Microwave Frequency	-	-	-
Detection speed	0.3 - 3 m/s	0.3 - 3 m/s	0.3 - 3 m/s
Operating temperature	-10°C to +40°C	-10°C to +40°C	-10°C to +40°C

WIRELESS DUAL-TECH
DETECTORS



Model	DS-PD2-D12-W	DS-PD2-D10P-W
Coverage	Volumetric	Volumetric
Maximum range	10m	12m
Optimal installation height	1.8-2.4m	1.8-2.4m
Creep-zone protection	Support	Support
Animal Immunity	Up to 24kg	-
Blue Wave Technology	Support	Support
Automatic Sensivity	Support	Support
Digital Temperature Compensation	Support	Support
Tamper protection included	Support	Support
Signal Strength indicators(SSI)	Support	Support
Transmission Frequency	868MHz, FM transceiver	868MHz, FM transceiver
Range in open space	800m	800m
Minimum battery life (years)	2	2
Microwave Frequency	10.515, 10.525, 10.535GHz	10.515, 10.525, 10.535GHz
Detection speed	0.3 - 3 m/s	0.3 - 3 m/s
Operating temperature	-10°C to +40°C	-10°C to +40°C

WIRELESS OUTDOOR DUAL-TECH
DETECTORS



NEW



NEW

Model	DS-PD2-T10P-WEH	DS-PD2-T12P-WEL
Optimal Installation Height	2.4m	1.2m
Maximum range	10m	12m
Two-way wireless	Support	Support
Triple Detection Logic	2 x Infrared + 1 x Microwave	2 x Infrared + 1 x Microwave
Animal Immunity	Up to 10kg	Up to 35kg
Automatic Sensivity	Support	Support
Independent Floating Threshold(IFT) Technology	Support	Support
Digital Temperature Compensation	Support	Support
Separate Indicator:		
Microwave, Infrared, Alarm	Support	Support
Tamper Protection included	Support	Support
Transmission Frequency	868MHz, FM Transceiver	868MHz, FM Transceiver
Range in open space	800m	800m
3V Lithium Battery included	2x 3V 5Ah(BATT-ES1)	2x 3V 5Ah(BATT-ES1)
Minimum Battery Life(Years)	3	3
Plastic Housing Material	Polycarbonate	Polycarbonate
Lens UV protection	UV Filter	UV Filter
Protection	IP55	IP55
Operation Temperature	-30°C to +50°C	-30°C to +50°C
Dimensions	180 x 80 x 105 mm	188 x 77 x 84 mm

WIRELESS MAGNETIC CONTACTS



Model	DS-PD1-MC-WWS
Sensor type	Magnetic contact plug and play
Terminal for N/C input and reed switch	-
Two-way wireless	support
Number of inputs/zones transmitted	1
Front and rear tamper protection	support
Signal Strength Indicators (SSI)	support
Magnet included	support
Transmission frequency	868MHz, FM transceiver
Transmission method	128bit encrypted radio protocol
3V Lithium battery included	1 x CR123A

WIRELESS KEYFOB



Model	DS-PKFS-4
4 button with 8 button functions	support
System status display	support
Arm one or all areas per button	support
Disarm one or all areas per button	support
Panic function	support
Activate output automation	support
Lock and unlock buttons	support
Range in open space	300m
3V Lithium battery included	BATT-FK1215
Minimum battery life (years)	1
Weight	28g

WIRELESS KEYFOB



Model	DS-PKFE-5
Button	Arm, Disarm, Stay arm, Panic alarm, Alarm elimination
Frequency	868MHz
Distance	300m (Open area)
Encryption Scheme	Rolling code DES
Indicator	Red & Green
Battery	3V / 210mAh
Dimensions(L x W x H)	63x 49x 16
Weight (g)	24.5

RS485 WIRELESS RECEIVER



Model	DS-PM-RSWR
Wireless Detector	8
Wireless Keyfob	32
RF Frequency	433MHz
RF Transmission Distance	400m
Indicator	1 Red/Green dual color LED
Tamper Protection	Front and rear
Power Supply	12V DC
Working Temperature	-10°C - +55°C
Working Humidity	10% - 90%
Dimensions(L x W x H)	161x 105x 28
Weight	195g

WIRELESS SIREN



Model	DS-PMA-WBELL
Emitting frequency	433MHz
Modulation	Frequency modulation
RF transmit distance	800m(empty space)
Tamper proof	Support
Working temperature	-10°C - +55°C
Working humidity	<95%
Dimensions (mm)	Ø80 * 45
Weight(g)	116

WIRELESS DISPLACEMENT DETECTOR



Model	DS-PD1-PM-W
Emitting frequency	433MHz
Modulation	Frequency modulation
RF transmit distance	500m(empty space)
Tamper proof	Support
Working temperature	-10°C - +55°C
Working humidity	10%-90%
Water proof	IP66
Dimensions (mm)	60*31*10
Weight(g)	22

WIRELESS PANIC BUTTON



Model	DS-PD1-EB-WR
Frequency	433MHz
Modulation	FM
Transmission Rate	800m(Open Area))
Indicator	Red: Alarm triggered
Battery	CR2032 3.0V, 2-year power supply
Operation Temperature	-10°C - +55°C
Operation Humidity	10% - 90%
Dimension(L x W x H) (mm)	64.9 (Diameter) * 16.7
Weight (g)	32.8
Installation	Indoor
Weight	28g

WIRELESS KEYFOB



Model	DS-19K00-Y
Button	Arm, Disarm, Stay arm, Panic alarm, Alarm elimination
Frequency	433MHz
Distance	300m (Open area)
Encryption Scheme	Rolling code DES
Indicator	Red & Green
Battery	3V / 210mAh
Dimensions(L x W x H)	63x 49x 16
Weight (g)	24.5
Weight	195g

WIRELESS MAGNETIC CONTACT



Model	DS-PD1-MC-WWS
Transmitting frequency	433MHz
RF Transmission distance	800m (Open area)
LED indicator	1
Tamper switch	Supported (Front shell and Rear cover)
Power interface	CR123A 3.0V, 2 years
Operation temperature	-10°C - +55°C
Operation humidity	10%-90%
Dimension(L x W x H) (mm)	84 x 25 x 20.99
Weight (g)	37

WIRELESS PANIC BUTTON



Model	DS-PD1-EB-WS2
Hold-up function	Yes
LED indication	Red, Amber, Green
Two-way wireless technology	Yes
SSI (Signal Strength Indicators)	Yes
One push to learn	Yes
Transmission method	Fully encrypted rolling code
Storage temperature	-20°C - +50°C
Certified operating temperature	-10°C - +40°C
Nominal operating temperature	-10°C - +50°C
Dimensions (H*W*D) (mm)	72 x 30 x 20
Transmission frequency	433MHz, FM transceiver
Range in open space	300m
Battery type	CR1/3N
Battery voltage	3V
Threshold	2.1V +/- 5%

HIGH-PERFORMANCE EMBEDDED SOC PROCESSOR



Model	DS-PEA1-N1	DS-PEA1-Z1
Operation system	Embedded Linux Operation System	Embedded Linux Operation System
Camera	NO	2 MP HD IR Camera,
IR Distance ≥ 10 m		
Audio input	1-ch Built-in Omnidirectional Microphone,	
Pickup Distance: 3 m	1-ch Built-in Omnidirectional Microphone,	
Pickup Distance: 5 m		
1-ch 3.5 mm Audio Interface for External Audio Input		
Audio output	1-ch 3 W Build-in Loudspeaker	
1-ch 3.5 mm Audio Interface for External Audio Output	1-ch 3 W Build-in Loudspeaker	
1-ch 3.5 mm Audio Interface for External Audio Output		
Network protocol	TCP/IP, SNMP, HIK-SIP, RTSP, DHCP	TCP/IP, RTSP, SNMP, HIK-SIP, ONVIF
Ethernet	10 M/100 M Self-adaptive Ethernet port	10 M/100 M Self-adaptive Ethernet port
Ethernet port	1 RJ45 10 M/100 M Self-adaptive Ethernet Port	2 RJ45 10 M/100 M Self-adaptive Ethernet Port
IO Input	2	2
IO Output	1	2
Public Network Transmission	EHome, EZVIZ	EHome, EZVIZ
Network encryption	Supports User Lock-in and Password Security Prompt	Supports User Lock-in and Password Security Prompt
Switch	NO	NO
Alarm lamp	NO	NO
Siren	NO	NO
SD Card	Standard Micro SD card Slot, Supports Micro SD/SDHC/SDXC Card, Max. 128G	Standard Micro SD card Slot, Supports Micro SD/SDHC/SDXC Card, Max. 128G
Lock	NO	NO
Power supply	DC 12V	DC 12V
Working temperature	-25 °C - +55 °C (-13 °F - 131 °F)	-40 °C - +60 °C (-40 °F - 140 °F)
Installation	Wall Mounting	Wall Mounting
Dimension(L x W x H) (mm)	170 × 108 × 39.5 (8.58" × 5.04" × 2.28")	218 × 128 × 58 (8.58" × 5.04" × 2.28")

HIGH-PERFORMANCE EMBEDDED SOC PROCESSOR



Model	DS-PEA2-21	DS-PEA3M-21	DS-PEA3M-21H
Processor	High-Performance Embedded SOC Processor	High-Performance Embedded SOC Processor	High-Performance Embedded SOC Processor
Operation system	Embedded Linux Operation System	Embedded Linux Operation System	Embedded Linux Operation System
Camera	2 MP HD IR Camera, IR Distance ≥ 10 m	2 MP HD IR Camera, IR Distance ≥ 10 m	2 MP HD IR Camera, IR Distance ≥ 10 m
Audio input	1-ch Built-in Omnidirectional Microphone, Pickup Distance: 5 m 1-ch 3.5 mm Audio Interface for External Audio Input	1-ch Built-in Omnidirectional Microphone, Pickup Distance: 5 m 1-ch 3.5 mm Audio Interface for External Audio Input	1-ch Built-in Omnidirectional Microphone, Pickup Distance: 5 m 1-ch 3.5 mm Audio Interface for External Audio Input
Audio output	1-ch 3 W Build-in Loudspeaker 1-ch 3.5 mm Audio Interface for External Audio Output	1-ch 3 W Build-in Loudspeaker 1-ch 3.5 mm Audio Interface for External Audio Output	1-ch 3 W Build-in Loudspeaker 1-ch 3.5 mm Audio Interface for External Audio Output
Network protocol	TCP/IP, RTSP, SNMP, HIK-SIP, ONVIF	TCP/IP, RTSP, SNMP, HIK-SIP, ONVIF	TCP/IP, RTSP, SNMP, HIK-SIP, ONVIF
Ethernet	10 M/100 M Self-adaptive Ethernet port	10 M/100 M Self-adaptive Ethernet port	10 M/100 M Self-adaptive Ethernet port
Ethernet port	2 RJ45 10 M/100 M Self-adaptive Ethernet Port	2 RJ45 10M/100M Self-adaptive Ethernet Port	2 RJ45 10M/100M Self-adaptive Ethernet Port
IO Input	2	2	2
IO Output	2	2	2
Public Network Transmission	EHome, EZVIZ	EHome, EZVIZ	EHome, EZVIZ
Network encryption	Supports User Lock-in and Password Security Prompt	Supports User Lock-in and Password Security Prompt	Supports User Lock-in and Password Security Prompt
Switch	NO	No	8-ports switch x 1
Alarm lamp	1, Light Can be Configured Separately	1 Red and Blue Alarm Lamp, Light Can be Configured Separately	1 Red and Blue Alarm Lamp, Light Can be Configured Separately
Siren	1, Sound Can be Configured Separately	110dB, Sound Can be Configured Separately	110dB, Sound Can be Configured Separately
SD Card	Standard Micro SD card Slot, Supports Micro SD/SDHC/SDXC Card, Max. 128G	Standard Micro SD card Slot, Supports Micro SD/SDHC/SDXC Card, Max. 128G	Standard Micro SD card Slot, Supports Micro SD/SDHC/SDXC Card, Max. 128G
Lock	NO	Electronic Controlled Cabinet Lock/Normal Cabinet Lock	Electronic Controlled Cabinet Lock/Normal Cabinet Lock
Power supply	AC 100-240V	AC 100-120V/200-240V	AC 100-120V/200-240V
Working temperature	-40 °C - +60 °C (-40 °F - 140 °F)	-40 °C - +60 °C (-40 °F - 140 °F)	-40 °C - +60 °C (-40 °F - 140 °F)
Installation	Hold Hoop and Wall Mounting	Ground Mounting	Ground Mounting
Dimension(L x W x H) (mm)	504 × 327.7 × 125 (19.48" × 12.90" × 4.92")	Without Bracket: 450 × 500 × 2205 (17.72" × 19.69" × 86.81")	With Bracket: 450 × 500 × 4534 (17.72" × 19.69" × 178.50")

HIGH-PERFORMANCE EMBEDDED SOC PROCESSOR



Model	DS-PEA4L-7
Operation system	Embedded Linux Operation System
Screen	7-inch Capacitive Touch Screen; Color; TFT LCD
Resolution	1024*600
Operation type	Touch Screen; Soft Key; Button
Audio input	Built-in Microphone, Handset
Audio output	Built-in Loudspeaker, Handset
Audio compression standard	G.711 U/64Kbps, G.726 /16Kbps
Network protocol	TCP/IP, RTSP, SNMP, HIK-SIP
Ethernet	10 M/100 M Self-adaptive Ethernet port
Network interface	1 RJ45 10M/100M/1000 M
Self-adaptive Ethernet Ports	
Power supply	DC 12V
Working temperature	-10° C - +50° C (14° F - 122° F)
Working humidity	10% - 90%
Dimension (mm)	436 × 215 × 67 (17.17" × 8.46" × 2.64")

PERIMETER PROTECTION



Model	DS-PI-DXX	DS-PI-TXX	DS-PI-QXX	DS-PI-DXX/FM	DS-PI-TXX/FM	DS-PI-QXX/FM
Alarm Distance	40m / 60m / 80m / 100m	50m /100m /150m /200m /250m	75m / 100m / 150m / 200m / 250m	30m / 40m / 60m / 80m / 100m	50m / 75m / 100m / 150m	100m / 150m / 200m / 250m
Max reaching distance	450m/ 650m/ 900m/ 1100m	500m / 1000m / 1500m / 2000m / 2500m	750m / 1000m / 1500m / 2000m / 2500m	300m / 400m / 600m / 800m / 1000m	500m / 750m / 1000m / 1500m	1000m / 1500m / 2000m / 2500m
Beams No.	2 beams	3 beams	4 beams	2 beams	3 beams	4 beams
Detecting Way	2 beams Intercepted simultaneously	3 beams Intercepted simultaneously	4 beams Intercepted simultaneously	2 beams Intercepted simultaneously	3 beams Intercepted simultaneously	4 beams Intercepted simultaneously
Light Source	Digital Pulse IR LED	Digital Pulse IR LED	Digital Pulse IR LED	Digital Pulse IR LED	Digital Pulse IR LED	Digital Pulse IR LED
Response Time (ms)	50-700	35-700	35-700ms	50-500	30-960	50-700
Channel Choice	N/A	N/A	N/A	4 Channels CH1-CH4	4 Channels CH1-CH4	4 Channels CH1-CH4
Alarm Output	FORM C(NO/NC changeable), Contact ratings 30VDC 0.5A max	FORM C(NO/NC changeable), Contact ratings 30VDC 0.5A max	FORM C(NO/NC changeable), Contact ratings 30VDC 0.5A max	FORM C(NO/NC changeable), Contact ratings DC 30V 0.5A max	FORM C(NO/NC changeable), Contact ratings DC 30V 0.5A max	FORM C(NO/NC changeable), Contact ratings DC 30V 0.5A max
Optic axis adjust angle (Horizontal)	180°(±90°)	180°(±90°)	180°(±90°)	180°(±90°)	180°(±90°)	180°(±90°)
Optic axis adjust angle (Vertical)	20°(±10°)	16°(±8°)	24°(±12°)	20°(±10°)	16°(±8°)	24°(±12°)
Supply Voltage	10.5-28VDC (non-polarity)	10.5-28VDC(non-polarity)	10.5-28VDC(non-polarity)	DC10.5-24V (non-polarity)	DC10.5-28V(non-polarity)	DC10.5-28V(non-polarity)
Recommend Supply Voltage	DC 12V or 24V(non-polarity)	DC 12V or 24V(non-polarity)	DC 12V or 24V(non-polarity)	DC 12V or 24V(non-polarity)	DC 12V or 24V(non-polarity)	DC 12V or 24V(non-polarity)
Operating Temperature	-25°C - +55°C	-25°C - +55°C	-25°C - +55°C	-25°C - +60°C	-25°C - +55°C	-25°C - +55°C
Dimensions (H×W×D) (mm)	171 × 82 × 77	270 × 90 × 90	353 × 99 × 104	194.5 ×83 × 82	270 × 90 × 90	353 × 99 ×104
Weight (g)	Around 600 (Transmitter and Receiver)	Around 1100 (Transmitter and Receiver)	Around 1970 (Transmitter and Receiver)	Around 850 (Transmitter and Receiver)	Around 1100 (Transmitter and Receiver)	Around 1970 (Transmitter and Receiver)

DS-1H05-R
Coaxial to Network Transmission
Accessory

HIKVISION

DS-1H05-T
Network to Coaxial Transmission
Accessory

HIKVISION

DS-1H18
Video Balun

HIKVISION

DS-1H18S
Video Balun



DS-1H18S/E
Video Balun

HIKVISION

DS-3WF01C-2N
wifi bridge-elevator



DS-3WF03C-D
wifi bridge-outdoor



DS-1LN5E-E/E

Cable-Network cable



DS-1LN5E-S

U/UTP 4Pairs cable-category 5E-
PVC Sheath



DS-1LN6-UU

U/UTP 4Pairs cable-category 6-
PVC Sheath





DS-2FP2020

HI-FI Microphone



DS-1227ZJ

Bracket



DS-1250ZJ

Bracket



DS-1258ZJ

Bracket



DS-1259ZJ

Bracket



DS-1260ZJ

Bracket



DS-1271ZJ-110

Bracket



DS-1271ZJ-120

Bracket



DS-1271ZJ-130

Bracket



DS-1271ZJ-135

Bracket



DS-1271ZJ-DM25

Bracket



DS-1272ZJ-110

Bracket



DS-1272ZJ-110B

Bracket



DS-1272ZJ-110-TRS

Bracket



DS-1272ZJ-120

Bracket



DS-1272ZJ-120B

Bracket



DS-1227ZJ

Bracket



DS-1250ZJ

Bracket



DS-1258ZJ

Bracket



DS-1259ZJ

Bracket



DS-1260ZJ

Bracket



DS-1271ZJ-110

Bracket



DS-1271ZJ-120

Bracket



DS-1271ZJ-130

Bracket



DS-1271ZJ-135

Bracket



DS-1271ZJ-DM25

Bracket



DS-1272ZJ-110

Bracket



DS-1272ZJ-110B

Bracket



DS-1272ZJ-110-TRS

Bracket



DS-1272ZJ-120

Bracket



DS-1272ZJ-120B

Bracket



DS-1273ZJ-130

Bracket



DS-1273ZJ-130-TRL

Bracket



DS-1273ZJ-135

Bracket



DS-1273ZJ-135B

Bracket



DS-1273ZJ-140

Bracket



DS-1273ZJ-140B

Bracket



DS-1273ZJ-160

Bracket



DS-1273ZJ-DM25

Bracket



DS-1273ZJ-DM26

Bracket



DS-1273ZJ-DM30-B

Bracket



DS-1273ZJ-DM32

Bracket



DS-1273ZJ-PT6

Bracket



DS-1275ZJ

Bracket



DS-1275ZJ-SUS

Bracket



DS-1276ZJ

Bracket



DS-1279ZJ

Bracket



DS-1280ZJ-DM18

Bracket



DS-1280ZJ-DM20

Bracket



DS-1280ZJ-DM21

Bracket



DS-1280ZJ-DM22

Bracket



DS-1280ZJ-DM25

Bracket



DS-1280ZJ-DM26

Bracket



DS-1280ZJ-DM8

Bracket



DS-1280ZJ-M

Bracket



DS-1280ZJ-PT3

Bracket



DS-1280ZJ-S

Bracket



DS-1280ZJ-SD11

Bracket



DS-1280ZJ-XS

Bracket



DS-1281ZJ-DM23

Bracket



DS-1281ZJ-M

Bracket



DS-1293ZJ

Bracket



DS-1294ZJ

Bracket



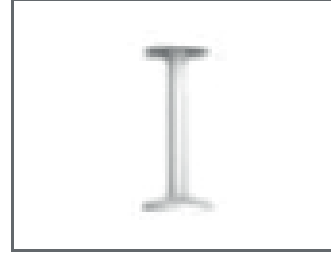
DS-1294ZJ-PT

Bracket



DS-1471ZJ-155

Bracket



DS-1473ZJ-135

Bracket



DS-1473ZJ-155

Bracket



DS-1475ZJ-SUS

Bracket



DS-1602ZJ-Corner

Bracket



DS-1602ZJ-P

Bracket



DS-1602ZJ-Pole

Bracket



DS-1602ZJ-pole-P

Bracket



DS-1603ZJ

Bracket



DS-1604ZJ

Bracket



DS-1604ZJ-box

Bracket



DS-1604ZJ-BOX-CORNER

Bracket



DS-1604ZJ-BOX-POLE

Bracket



DS-1604ZJ-corner

Bracket



DS-1604ZJ-pole

Bracket



DS-1605ZJ

Bracket



DS-1618ZJ

Bracket



DS-1660ZJ

Bracket



DS-1661ZJ

Bracket



DS-1661ZJ-P

Bracket



DS-1662ZJ

Bracket



DS-1663ZJ

Bracket



DS-1663ZJ-P

Bracket



DS-1678ZJ

Bracket



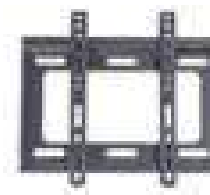
DS-2663ZJ

Bracket



DS-DM1940W

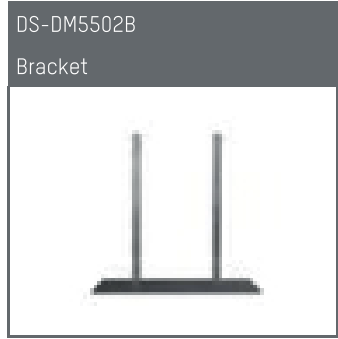
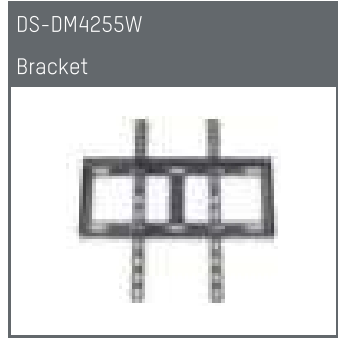
Bracket



DS-DM3201B

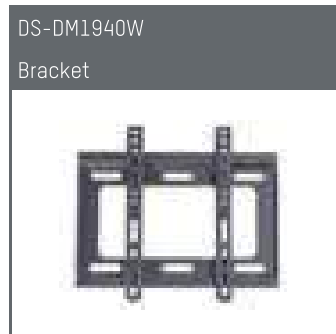
Bracket










IPC-4300H
Network Camera Tester

















BRACKET

MONITOR & LCD









Monitor Model	Wall Mounted Bracket	Base Bracket
DS-D50190E DS-D50190E-B(O-STD)/EU DS-D50220E-B(O-STD)/EU DS-D50240E DS-D50270E(O-STD) DS-D5022FC(O-STD)/EU DS-D5024FC DS-D5032FC-A DS-D5028UC	 DS-DM1940W Wall-mounted bracket, available for size from 19 to 40 (VESA standard), M4/M6, 75x75, 100x100, 150x150, 200x200	base bracket included in monitor's package
DS-D5032FL DS-D5032FL-B DS-D5032FL-C	 DS-DM1940W Wall-mounted bracket, available for size from 19 to 40 (VESA standard), M4/M6, 75x75, 100x100, 150x150, 200x200	 DS-DM3201B Base bracket, available for DS-D5032FL, DS-D5032FL-B, DS-D5032FL-C, M6, 200x200
DS-D5040FC	 DS-DM1940W Wall-mounted bracket, available for size from 19 to 40 (VESA standard), M4/M6, 75x75, 100x100, 150x150, 200x200	 DS-DM4001B Base bracket, available for DS-D5040FC, M4, 100x100

Monitor Model	Wall Mounted Bracket	Base Bracket
DS-D5043FC	 DS-DM4255W Wall-mounted bracket, available for size from 42 to 55(VESA standard), M6, 200x200, 300x300, 400x400	 DS-DM4302B Base bracket, available for DS-D5043FC, M6, 200x300
DS-D5043FL	 DS-DM4255W Wall-mounted bracket, available for size from 42 to 55(VESA standard), M6, 200x200, 300x300, 400x400	 DS-DM4301B Base bracket, available for DS-D5043FL, M6, 400x200
DS-D5049FL	 DS-DM4255W Wall-mounted bracket, available for size from 42 to 55(VESA standard), M6, 200x200, 300x300, 400x400	 DS-DM4901B Base bracket, available for DS-D5049FL, M6, 300x200

Monitor Model	Wall Mounted Bracket	Base Bracket
DS-D5055FL	 DS-DM4255W Wall-mounted bracket, available for size from 42 to 55(VESA standard), M6, 200x200, 300x300, 400x400	 DS-DM5501B Base bracket, available for DS-D5055FL, M6, 400x300
DS-D5050UC	 DS-DM4255W Wall-mounted bracket, available for size from 42 to 55(VESA standard), M6, 200x200, 300x300, 400x400	coming soon
DS-D5055UL-B	 DS-DM4255W Wall-mounted bracket, available for size from 42 to 55(VESA standard), M6, 200x200, 300x300, 400x400	 DS-DM5502B Base bracket, available for DS-D5055UL-B, M6, 300x200
DS-D5086UL	 DS-DM6586W Wall-mounted bracket, available for size from 65 to 86(VESA standard), M8, 600x400, 600x500, 500x500	coming soon

BRACKET







ANALOGUE CAMERA

Product form	Model	Relevant brackets and housings					
		Indoor			Indoor housing		Outdoor housing
	DS-2CC12D9T-A DS-2CC12D9T-E DS-2CC12D9T						
	DS-2CE37U8T-A	DS-1299ZJ Pendant Mount	DS-1280ZJ-XS Junction box	DS-1292ZJ Wall mount	DS-1332HZ Indoor housing	DS-1330HZ Indoor housing	DS-1331HZ Series Outdoor housing
		Hik white Aluminum Alloy 77×77×198mm 165g	Hik white Aluminum Alloy Ø100 x 43.2 x 129mm 320g (Match up with DS-1299ZJ)	Hik white Aluminum alloy 70×97.1×217.9mm 201g	Hik white Aluminum alloy 288×149×100mm 800g	Hik white Complex fiber 290×142×92mm 640g	Hik white Aluminum alloy

Product form	Model	Relevant brackets and housings			
		Indoor/Outdoor			
	DS-2CE16C5T-(A)VFIR3				
	DS-2CE16C2P-IT5 DS-2CE16A2P-IT5 DS-2CE16D5T-IT5 DS-2CE16C2T-IT5 DS-2CE16C5T-IT1/IT3/IT5	DS-1275ZJ-SUS Vertical pole mount	DS-1280ZJ-S Junction box	DS-1260ZJ Junction box	DS-1276ZJ-SUS Corner mount
	DS-2CE16D5T-(A)VFIT3	Hik white Stainless Steel 127×46× 250mm Diameter of clamp: Ø67 -127mm 1205g	Hik white Aluminum alloy Ø137 x 53.4x 164.8mm 527g	Hik white Aluminum alloy Ø105 mm	Hik white Stainless Steel 126×105× 250mm 2280g
	DS-2CE16D9T-AIRAZH				

Product form	Model	Product form	Model	Relevant brackets and housings	
				Indoor/Outdoor	
	DS-2CE15C2P-IR DS-2CE16C0T-IR(P)(F) DS-2CE16C2T-IR(P) DS-2CE16D0T-IR(P)(F)/IRE/IRPE DS-2CE16D1T-IR(P) DS-2CE16D5T-IR		DS-2CE16D7T-IT DS-2CE16F7T-IT DS-2CE16F1T-IT DS-2CE16D8T-IT(P)(E) DS-2CE16H1T-IT(E) DS-2CE16H5T-IT(P)/ITE DS-2CE16HOT-IT(P)(F)/ITE DS-2CE16U1T-IT(P)(F)		Indoor/Outdoor
	DS-2CE16C2P-IT3 DS-2CE16A2P-IT3 DS-2CE16D5T-IT1/IT3 DS-2CE16C2T-IT1/IT3		DS-2CE17U8T-IT		DS-1280ZJ-XS Junction box
	DS-2CE16C0T-IT1(F)/IT3(F)/IT5(F) DS-2CE16D0T-ITXXX DS-2CE16D0T-WL3/WL5 DS-2CE16D1T-IT1/IT3/IT5 DS-2CE16D7T-IT1/IT3/IT5 DS-2CC12D9T-IT3E/IT5E DS-2CE16D8T-IT1(E)/IT3(E)/IT5(E) DS-2CE16F1T-IT1/IT3/IT5 DS-2CE16F7T-IT1/IT3/IT5 DS-2CE16HOT-ITXXX DS-2CE16H1T-IT1(E)/IT3(E)/IT5(E) DS-2CE16H5T-IT1(E)/IT3(E)/IT5(E) DS-2CE16U1T-IT1/IT3/IT5		DS-2CE11D8T-PIRL DS-2CE11D0T-PIRL DS-2CE11HOT-PIRL		Hik white Aluminum Alloy Ø100 x 43.2 x 129mm 320g
			DS-2CE18U8T-IT3 DS-2CE12D8T-PIRL DS-2CE12D0T-PIRL DS-2CE12HOT-PIRL		








Product form	Model	Relevant brackets and housings						
	DS-2CE16C8T-IW3Z	Indoor/Outdoor						
								
		DS-1293ZJ Wall mount	DS-1275ZJ-SUS Vertical pole mount	DS-1269ZJ Pendant Mount	DS-1233ZJ Column Mount	DS-1232ZJ Cardan Joint	DS-1232ZJ-T Cardan Joint	DS-1276ZJ-SUS Corner mount
Hik white Aluminum alloy 88×116.6×297.3mm 473g	Hik white Stainless Steel 127×46×250mm Diameter of clamp: Ø67-127mm 1205g Match up with wall mount DS-1293ZJ	Hik white Aluminum alloy 493×246×88mm 480g	Hik white Steel Ø160 x 1093mm 6200g	Hik white Steel 126×103.5×83mm 790	Hik white Steel 96×95×92.5mm	Hik white Stainless Steel 126×105×250mm 2280g Match up with wall mount DS-1293ZJ		

Product form	Model	Relevant brackets and housings		
  	DS-2CE16D0T-VFIR3 DS-2CE16D1T-(A)IR3Z DS-2CE16D1T-(A)VFIR3 DS-2CE16C2T-VFIR3 DS-2CE16D5T-AIR3ZH DS-2CE16D7T-(A)IT3Z DS-2CE16D8T-(A)IT3Z/IT3ZE DS-2CE16F7T-(A)IT3Z DS-2CC12D9T-AIT3ZE DS-2CE16H1T-(A)IT3Z(E) DS-2CE16H5T-(A)IT3Z/IT3ZE DS-2CE16H0T-(A)IT3Z/IT3ZE DS-2CE19H8T-(A)IT3Z DS-2CE19U8T-(A)IT3Z	Indoor/Outdoor		
				
		DS-1275ZJ-SUS Vertical pole mount	DS-1280ZJ-S Junction box	DS-1276ZJ-SUS Corner mount
Hik white Stainless Steel 127×46×250mm Diameter of clamp: Ø67-127mm 1205g	Hik white Aluminum alloy Ø137 x 53.4x 164.8mm 527g	Hik white Stainless Steel 126×105×250mm 2280g		

Product form	Model	Relevant brackets and housings								
  	DS-2CE56D5T-(A)VP3 DS-2CE56D5T-AVP3Z(H) DS-2CE56D1T-(A)VP3(Z) DS-2CE56C5T-(A)VP3 DS-2CE56D7T-(A)VPIT3Z DS-2CE56D8T-(A)VPIT3Z/ VPIT3ZE DS-2CC52D9T-AVPIT3ZE DS-2CE56D0T-VP3R3E DS-2CE56F7T-(A)VPIT3Z DS-2CE56H0T-(A)VPIT3ZF/ VPIT3ZE DS-2CE56H1T-(A)VPIT3Z DS-2CE56H1T-(A)VPIT3ZE DS-2CE56H5T-(A)VPIT3Z DS-2CE56H5T-VPIT3ZE DS-2CE59U8T-(A)VPIT3Z	Indoor/Outdoor								
										
		DS-1271ZJ-140 Pendant Mount	DS-1273ZJ-140 Wall mount	DS-1273ZJ-140B Wall mount	DS-1241ZJ In-ceiling mount	DS-1240ZJ Inclined ceiling mount	DS-1275ZJ-SUS Vertical pole mount	DS-1276ZJ-SUS Corner mount	DS-1253ZJ-L Rain shade	DS-1250ZJ Rain shade
Hik white Aluminum alloy Ø150×565mm 1900g	Hik white Aluminum alloy 140×183.5×232mm 703g	Hik white Aluminum alloy with junction box 140×243×292mm 1488g	Hik white Aluminum alloy Ø200×26.8mm 300g	Hik white Aluminum alloy Ø145×63mm 440g	Hik white Stainless Steel 127×46×250mm Diameter of clamp: Ø67-127mm 1205g Match up with wall mount(DS- 1273ZJ-140)	Hik white Stainless Steel 126X105X250mm 2280g Match up with wall mount(DS- 1273ZJ-140)	Hik white Composite Fibre Ø225.1×98mm 198g Match up with wall mount(DS- 1273ZJ-140)	Hik white Composite Fibre 264.7*152*189.6 mm 199g		









Product form	Model	Relevant brackets and housings													
	DS-2CE56D0T-VFIRE DS-2CE56D1T-(A)IRZ DS-2CE56D1T-(A)VFIR DS-2CE56C5T-(A)VFIR DS-2CE56D5T-(A)VFIR/AIRZ DS-2CE56D7T-(A)ITZ DS-2CE56D9T-AITZE DS-2CE56D8T-(A)ITZ/ITZE DS-2CE56F7T-(A)ITZ DS-2CE56H0T-(A)ITZF/ITZE DS-2CE56H1T-(A)ITZ DS-2CE56H1T-(A)ITZE DS-2CE56H5T-(A)ITZ/ITZE	Indoor													
															
		DS-1271ZJ-130 Pendant Mount	DS-1273ZJ-130 Wall mount	DS-1273ZJ-130B Wall mount	DS-1249ZJ In-ceiling mount	DS-1275ZJ-SUS Vertical pole mount	DS-1276ZJ-SUS Corner mount	DS-1253ZJ-L Rain shade	DS-1250ZJ Rain shade						
Hik white Aluminum alloy Ø150×565mm 1900g		Hik white Aluminum alloy 132×183.5×228.5mm 690g		Hik white Aluminum alloy with junction box 132×243×288.5mm 1475g		Hik white ABS plastic Ø169.4×14.6mm 60g		Hik white Stainless Steel 127×46×250mm Diameter of clamp: Ø67-127mm 1205g Match up with wall mount(DS-1273ZJ-130)		Hik white Stainless Steel 126X105X250mm 2280g Match up with wall mount(DS-1273ZJ-130)		Hik white Composite Fibre Ø225.1×98mm 198g Match up with wall mount(DS-1273ZJ-130)		Hik white Composite Fibre 264.7*152*189.6 mm 199g	

Product form	Model	Relevant brackets and housings																	
	DS-2CE56D1T-VPiR DS-2CE56D7T-VPiT DS-2CE56F7T-VPiT DS-2CE56H5T-VPiT(E) DS-2CE56D8T-VPiT(E) DS-2CE56H1T-VPiT(E) DS-2CE57U8T-VPiT DS-2CE56H0T-VPiTF/VPiTE	Indoor																	
																			
		DS-1259ZJ Inclined ceiling mount	DS-1271ZJ-110 Pendant mount	DS-1272ZJ-110 Wall mount	DS-1272ZJ-110B Wall mount	DS-1275ZJ-SUS Vertical pole mount	DS-1276ZJ-SUS Corner mount	DS-1280ZJ-DM18 Junction box	DS-1258ZJ Wall mount	DS-1253ZJ-M Rain shade	DS-1250ZJ Rain shade								
Hik white ABS Plastic Ø111×39.2mm 200g		Hik white Aluminum alloy Ø150×560mm 1900g		Hik white Aluminum alloy 120×122×169mm 420g		Hik white Aluminum alloy with junction box 123×180×227.8mm 1205g		Hik white Stainless Steel 127×46×250mm Diameter of clamp: Ø67-127mm 1205g Match up with wall mount(DS-1272ZJ-110)		Hik white Stainless Steel 126X105X250mm 2280g Match up with wall mount(DS-1272ZJ-110)		Hik white Aluminum alloy Ø115.4×43.8mm 450g		Hik white ABS plastic 120×111×161.5mm 200g		Hik white Composite Fibre Ø191.1×76mm 133g Match up with wall mount(DS-1272ZJ-110)		Hik white Composite Fibre 264.7*152*189.6 mm 199g	










Product form	Model	Indoor/Outdoor									
	DS-2CE56D8T-IRS										
		DS-1272ZJ-120 Wall mount	DS-1272ZJ-120B Wall mount	DS-1271ZJ-120 Pendant mount	DS-1275ZJ-SUS Vertical pole mount	DS-1276ZJ-SUS Corner mount	DS-1280ZJ-DM22 Junction box				
		Hik white Aluminum alloy 120×122×173.5mm 430g		Hik white Aluminum alloy with junction box 123×180×223mm 1225g		Hik white Aluminum alloy Ø150×573mm 1900g		Hik white Stainless Steel 127×46×250mm Diameter of clamp: Ø67-127mm 1205g Match up with wall mount(DS-1272ZJ-120)		Hik white Stainless Steel 126X105X250mm 2280g Match up with wall mount(DS-1272ZJ-120)	


Product form	Model	Relevant brackets and housings
	DS-2CC52C7T-VP	Indoor/Outdoor
		
		DS-1274ZJ-DM28 Corner mount
		Hik white Aluminum alloy 233×201×96mm









Product form	Model	Relevant brackets and housings			
	DS-2CC52H1T-FITS	Indoor			
					
		DS-1294ZJ	DS-1281ZJ-DM27	DS-1297ZJ	DS-1299ZJ
		Wall mount	Inclined ceiling mount	Pendant mount (extendable)	Pendant Mount
		Hik white Toughened Plastic 223.9×80×125.8mm 450g	Hik white Plastic 111.8×40.5×108.3mm 45.8g	Hik white Aluminum alloy (Height 1000-2000mm)	Hik white Aluminum Alloy 77×77×198mm 165g








Product form	Model	Relevant brackets and housings			
	DS-2CE55C2N-IR DS-2CE55A2P(N)-IR(M) DS-2CE56D5T-IRM DS-2CE56D1T-IRM DS-2CE56C2T-IRM DS-2CE56C0T-IRM(F) DS-2CE56D0T-IRM(F)				
	DS-2CE56F1T-ITP DS-2CE56H0T-ITPF				
	DS-2CE56D8T-ITM(E) DS-2CE56H1T-ITM(E) DS-2CE56H5T-ITM(E) DS-2CE56H0T-ITMF/ITME DS-2CE56D7T-ITM DS-2CE56F7T-ITM DS-2CE56F1T-ITM	Hik white Aluminum alloy 120×122×169mm 420g	Hik white Stainless Steel 127×46×250mm Diameter of clamp: Ø67-127mm 1205g Match up with wall mount(DS-1272ZJ-110-TRS)	Hik white Stainless Steel 126X105X250mm 2280g Match up with wall mount(DS-1272ZJ-110-TRS)	Hik white Aluminum Alloy Ø100 x 43.2 x 129mm 320g
	DS-2CE55A2P(N)-IRP DS-2CE56D1T-IR(P) DS-2CE56C2T-IR(P) DS-2CE56C0T-IR(P)(F) DS-2CE56D0T-IR(P)(F)				









*The -TRS means it has adapter plate compared to DS-1272ZJ-110. Special for these mini dome cameras













Product form	Model	Relevant brackets and housings							
		Indoor/Outdoor							
	DS-2CE55A2P(N)-VFIR3 DS-2CE55C2P(N)-VFIR3 DS-2CE55F5P(N)-VFIR3								
		DS-1273ZJ-130-TRL	DS-1275ZJ-SUS	DS-1276ZJ-SUS	DS-1280ZJ-TR6	GPT-1	DS-1280ZJ-M	DS-1281ZJ-M	DS-1271ZJ-130-TRL
		Wall mount	Vertical pole mount	Corner mount	Junction box	Gang box for junction box (special for US market)	Junction box	Inclined ceiling mount	Pendant mount
		Hik white Aluminum alloy 131×183.5×228.5mm 890g	Hik white Stainless Steel 127×46×250mm Diameter of clamp: Ø67- 127mm 1205g Match up with wall mount (DS-1273ZJ-130- TRL)	Hik white Stainless Steel 126X105X250mm 2280g Match up with wall mount (DS-1273ZJ-130- TRL)	Hik white Aluminum alloy Ø130 mm 715g	Hik white Steel Ø125×5.5 mm	Hik white Aluminum alloy 157×184.8×53.4mm 621g	Hik white Aluminum alloy 157×165.7×61.8mm 586g	Hik white Aluminum alloy Ø150×567mm

Product form	Model	Relevant brackets and housings							
		Indoor/Outdoor							
	DS-2CE56A2P-IT1/IT3 DS-2CE56D5T-IT1/IT3 DS-2CE56C2T-IT1/IT3 DS-2CE56C5T-IT1/IT3								
		DS-1272ZJ-110	DS-1275ZJ-SUS	DS-1276ZJ-SUS	DS-1258ZJ	DS-1280ZJ-S	DS-1281ZJ-S	DS-1271ZJ-110	
		Wall mount	Vertical pole mount	Corner mount	Wall mount	Junction box	Inclined ceiling mount	Pendant mount	
		Hik white Aluminum alloy 120×122×169mm 420g	Hik white Stainless Steel 127×46×250mm Diameter of clamp: Ø67- 127mm 1205g Match up with wall mount (DS-1272ZJ-110)	Hik white Stainless Steel 126X105X250mm 2280g Match up with wall mount (DS-1272ZJ-110)	Hik white ABS plastic 120×111×161.5mm 200g Suitable for indoor	Hik white Aluminum alloy 137×53.4×164.8mm 527g	Hik white Aluminum alloy 137×56.5×147mm 472g	Hik white Aluminum alloy Ø150×560mm 1900g	

Product form	Model	Relevant brackets and housings							
		Indoor/Outdoor							
	S-2CE56D5T-VFIT3 DS-2CE56C5T-VFIT3								
		DS-1273ZJ-130-TRL	DS-1275ZJ-SUS	DS-1276ZJ-SUS	DS-1280ZJ-M	DS-1281ZJ-M	DS-1271ZJ-130-TRL		
	DS-2CE56D1T-IR3Z/VFIR3 DS-2CE56C2T-VFIR3 DS-2CE56D0T-VFIR3E DS-2CE56D5T-IR3Z DS-2CE56D7T-IT3Z DS-2CE56D8T-IT3Z(E) DS-2CE56F7T-IT3Z DS-2CE56HOT-IT3ZF/IT3ZE DS-2CE56H1T-IT3Z(E) DS-2CE56H5T-IT3Z(E) DS-2CE79H8T-IT3Z DS-2CE79U8T-IT3Z	Wall mount	Vertical pole mount	Corner mount	Junction box	Inclined ceiling mount	Pendant mount		
		Hik white Aluminum alloy 131×183.5×228.5mm 890g	Hik white Stainless Steel 127×46×250mm Diameter of clamp: Ø67-127mm 1205g Match up with wall mount (DS- 1273ZJ-130-TRL)	Hik white Stainless Steel 126X105X250mm 2280g Match up with wall mount (DS- 1273ZJ-130-TRL)	Hik white Aluminum alloy 157×184.8×53.4mm 621g	Hik white Aluminum alloy 157×165.7×61.8mm 586g	Hik white Aluminum alloy Ø150×567mm		

Product form	Model	Relevant brackets and housings				
		Indoor/Outdoor				
	DS-2CE78U8T-IT3					
	DS-2CE56C0T-IT1(F)/IT3(F) DS-2CE56D0T-IT1(F)/IT3(F)/IT1E/IT3E DS-2CE56D1T-IT1/IT3 DS-2CE56D7T-IT1/IT3 DS-2CC52D9T-IT3E DS-2CE56D8T-IT1(E)/IT3(E) DS-2CE56F1T-IT1/IT3 DS-2CE56F7T-IT1/IT3 DS-2CE56HOT-IT1F/IT3F/IT1E/IT3E DS-2CE56H1T-IT1(E)/IT3(E) DS-2CE56H5T-IT1(E)/IT3(E) DS-2CE78U1T-IT1/IT3 DS-2CE71D8T-PIRL DS-2CE71D0T-PIRL DS-2CE71H0T-PIRL	DS-1272ZJ-110-TRS Wall mount	DS-1275ZJ-SUS Vertical pole mount	DS-1276ZJ-SUS Corner mount	DS-1280ZJ-S Junction box	DS-1281ZJ-S Inclined ceiling mount
	Hik white Aluminum alloy 110×120×120mm 420g	Hik white Stainless Steel 127×46×250mm Diameter of clamp: Ø67-127mm 1205g Match up with wall mount (DS-1272ZJ-110)	Hik white Stainless Steel 126×105×250mm 2280g Match up with wall mount (DS-1272ZJ-110)	Hik white Aluminum alloy 137×53.4×164.8mm 527g	Hik white Aluminum alloy 137×56.5×147mm 472g	





Product form	Model	Relevant brackets and housings						
		Indoor/Outdoor						
	DS-2CE5AD8T-VPIT3ZE DS-2CE5AD8T-AVPIT3Z DS-2CE5AH0T-(A) VPIT3ZF DS-2CE5AH0T-VPIT3ZE DS-2CE5AH8T-(A) VPIT3ZF DS-2CE5AU1T-(A) VPIT3ZF							
		DS-1273ZJ-140-DM45 Wall mount	DS-1271ZJ-140-DM45 Pendant mount	DS-1275ZJ-SUS Vertical pole mount	DS-1276ZJ-SUS Corner mount	DS-1281ZJ-DM45 Inclined ceiling mount	DS-1280ZJ-DM45 Junction box	DS-1253ZJ-L Rain shade
		Hik white Aluminum alloy Ø140×182×120mm	Hik white Aluminum alloy Ø140×545mm	Hik white Stainless Steel Match up with wall mount(DS-1273ZJ-140-DM45) 117×143×194mm Diameter of clamp 67-127mm	Hik white Stainless Steel Match up with wall mount (DS-1273ZJ-140-DM45) 158×173mm	Hik white Aluminum alloy Ø140×49mm	Hik white Aluminum alloy 168×140×40mm	Hik white Composite Fibre Match up with wall mount(DS-1273ZJ-140-DM45)

Product form	Model	Relevant brackets and housings										
		Indoor/Outdoor										
	DS-2CE5AD0T-VPIT3Z DS-2CE5AD8T-VPIT3Z											
		DS-1271ZJ-135 Pendant mount	DS-1273ZJ-135 Wall mount	DS-1273ZJ-135B Wall mount with junction box	DS-1275ZJ-SUS Vertical pole mount	DS-1276ZJ-SUS Corner mount	DS-1227ZJ In-ceiling mount	DS-1280ZJ-DM21 Junction box	DS-1281ZJ-DM23 Inclined ceiling mount	DS-1253ZJ-L Rain shade	DS-1250ZJ Rain shade	DS-1258ZJ-L Wall mount
		Hik white Aluminum alloy 150×150×565mm 1900g	Hik white Aluminum alloy 136×183.5×230mm 704g	Hik white Aluminum alloy with junction box 136×243×290mm 1490g	Hik white Stainless Steel 127×46×250mm Diameter of clamp: Ø67-127mm 1205g Match up with wall mount (DS-1273ZJ-135)	Hik white Stainless Steel 126×105×250mm 2280g Match up with wall mount(DS-1273ZJ-135)	Hik white Aluminum alloy & ABS Plastic Ø210×90mm 540g	Hik white Aluminum alloy 162×137×42mm 250g	Hik white Aluminum alloy 136.3×136.3×48mm 245g	Hik white Composite Fibre Ø225.1×98mm 198g Match up with wall mount (DS-1273ZJ-135)	Hik white Composite Fibre 264.7×152×189.6mm 199g	Hik white Plastic 136×183×213mm 260g







BRACKET




IP CAMERA

Product form	Model	Relevant brackets and housings					
		Indoor		Indoor housing		Outdoor housing	
	DS-2CD40XXF(WD)-XXXX DS-2CD4CXXFWD DS-2CD2810F DS-2CD2820F iDS-2CD60XXFXX-(A)/B DS-2CD60XXFXX-(A)/B DS-2CD6026FHWDF(-A) DS-2CD50X660-(A)(P) DS-2CD50X560-(A)(P) DS-2CD70X660-(A)(P)	 DS-1299ZJ Pendant Mount Hik white Aluminum Alloy 77×77×198mm 165g	 DS-1292ZJ Wall mount Hik white Aluminum alloy 70×97.1×217.9mm 201g	 DS-1332HZ Indoor housing Hik white Aluminum alloy 288×149×100mm 800g	 DS-1330HZ Indoor housing Hik white Complex fiber 290×142×92mm 640g	 DS-1331HZ series Outdoor housing Hik white Aluminum alloy	 DS-1340HZ Outdoor housing Three-axis adjustment Containing combined wires and fan IK10





Product form	Model	Relevant brackets and housings		
		Indoor/Outdoor		Outdoor
	DS-2CD4212F-(I)(S) DS-2CD4212FWD-(I)(S) DS-2CD4224F-(I)(S) DS-2CD4232FWD-(I)(S)	 DS-1275ZJ-SUS Vertical pole mount Hik white Stainless Steel 127×46×250mm Diameter of clamp: Ø67-127mm 1205g	 DS-1276ZJ-SUS Corner mount Hik white Stainless Steel 126×105×250mm 2280g	 Rubber sleeve Rubber sleeve with weather proof Hik white Rubber



Product form	Model	Relevant brackets and housings	
		Outdoor	
	DS-2CD20XX DS-2CD20X5FWD-I DS-2CD20X3		
			DS-1280ZJ-XS Junction box
	DS-2CD10X1-(I)(D) DS-2CD10X360-I	Hik white Aluminum Alloy Ø100 x 43.2 x 129mm 320g	





Product form	Model	Relevant brackets and housings				
		Indoor/Outdoor				Outdoor
	DS-2CD26X661-(I)(S) DS-2CD26X561-(I)(S) DS-2CD26X361-(I)(S) DS-2CD26X2FWD-(I)(S) DS-2CD16X1FWD-(I)(B) DS-2CD16X360-(I)	 DS-1260ZJ Junction box Hik white Aluminum alloy Ø105 mm	 DS-1280ZJ-S Junction box Hik white Aluminum alloy Ø137 x 53.4x 164.8mm 527g	 DS-1275ZJ-SUS Vertical pole mount Hik white Stainless Steel 127×46×250mm Diameter of clamp: Ø67-127mm 1205g	 DS-1276ZJ-SUS Corner mount Hik white Stainless Steel 126×105×250mm 2280g	 Rubber sleeve Rubber sleeve with weather proof Hik white Rubber




Product form	Model	Relevant brackets and housings	
	DS-2CD12X1(D)-I3	Outdoor	
			
		DS-1299ZJ Pendant Mount	DS-1296ZJ* Wall mount
		Hik white Aluminum Alloy 77×77×198mm 165g	Hik white Plastic 70×79.1×196.5mm Included in the package

*wall mount bracket (DS-1296ZJ) included in the package



Product form	Model	Relevant brackets and housings	
	DS-2CD26X5FWD-IZS DS-2CD26X3G0-IZS	Indoor/Outdoor	
			
	DS-2CD5AX6G0-IZ(H)S DS-2CD5AX5G0-IZ(H)S DS-2CD7AX6G0-IZ(H)S	DS-1475ZJ-SUS Vertical pole mount	DS-1476ZJ-SUS Corner mount
		Hik white Stainless Steel 127×46×250mm Diameter of clamp: Ø67-127mm 1205g	Hik white Stainless Steel 126×105×250mm 2280g

Product form	Model	Relevant brackets and housings							
	DS-2CD48XX	Indoor/Outdoor							
									
		DS-1293ZJ Wall mount	DS-1269ZJ Pendant Mount	DS-1214ZJ-T Horizontal pole mount	DS-1275ZJ-SUS Vertical pole mount	DS-1276ZJ-SUS Corner mount	DS-1233ZJ Column Mount	DS-1232ZJ Cardan Joint	DS-1232ZJ-T Cardan Joint
		Hik white Aluminum alloy 88×116.6×297.3mm 473g	Hik white Aluminum alloy 493×246×88mm 480g	Hik white Steel(mounting board) & Stainless Steel(clamp)	Hik white Stainless Steel 127×46×250mm Diameter of clamp: Ø67- 127mm 1205g Match up with wall mount(DS-1293ZJ)	Hik white Stainless Steel 126×105×250mm 2280g Match up with wall mount(DS-1293ZJ)	Hik white Steel Ø160 x 1093mm 6200g	Hik white Steel 126×103.5×83mm 790	Hik white Steel 96×95×92.5mm








Product form	Model	Relevant brackets and housings		
	DS-2CD2TXXF- WD-1S/18 DS-2CD2TXXG0-1S/ 18	Indoor/Outdoor		
				
		DS-1275ZJ-SUS Vertical pole mount	DS-1260ZJ Junction box	DS-1276ZJ-SUS Corner mount
		Hik white Stainless Steel 127×46×250mm Diameter of clamp: Ø67- 127mm 1205g	Hik white Aluminum alloy Ø105 mm	Hik white Stainless Steel 126×105× 250mm 2280g

Product form	Model	Relevant brackets and housings	
	DS-2CD4A26FWD- IZHSY DS-2CD4A35FWD- IZHSY	Indoor/Outdoor	
			
		DS-1275ZJ-SUS Vertical pole mount	DS-1276ZJ-SUS Corner mount
		Hik white Stainless Steel 127×46×250mm Diameter of clamp: Ø67- 127mm 1205g Match up with wall mount	Hik white Stainless Steel 126×105× 250mm 2280g Match up with wall mount

Product form	Model	Relevant brackets and housings
	DS-2CD20XXF(WD)- 1(W)	Indoor/ Outdoor
		
		DS-1280ZJ-S Junction box
		Hik white Aluminum alloy Ø137 x 53.4x 164.8mm 527g

Product form	Model	Relevant brackets and housings
	DS-2CD46XXF(WD)-IZ(H)(S) IDS-2CD8626G0/F-IZ(H)S	Indoor/ Outdoor
		
		DS-1275ZJ-4626 Vertical Pole Mount
		Hik white Steel(mounting board) & Stainless Steel(- clamp) 127×46×250mm 1235g













Product form	Model	Relevant brackets and housings			
	DarkFighterX camera	Outdoor			
					
		DS-1293ZJ-P Wall mount	DS-1269ZJ-P Pendant mount	DS-1232ZJ-P Cardan Joint	DS-1232ZJ-TP Cardan Joint
		Platinum gray Aluminum alloy 88×116.6×297.3mm 473g	Platinum gray Aluminum alloy 493×246×88mm 480g	Platinum gray Steel 126×103.5×83mm 790	Platinum gray Steel 96×95×92.5mm

Product form	Model	Relevant brackets and housings					
	DS-2CD40XXF/E-(H)(IR5)(IRA) DS-2CD40XXFWD/E-(H)(IR5)(IRA) DS-2CD6026FWD/E-(H) DS-2CD6233F/E-(H)(IR5)(IRA) DS-2CD40xxFWD/E-(H)(IR5)(3.8-16mm) DS-2CD40xxFWD/E-(H)(IRA)(11-40mm) DS-2CD4026FWD/E-(H)(7-33mm)	Indoor/Outdoor				Outdoor	
							
		DS-1293ZJ Wall mount	DS-1214ZJ Horizontal pole mount	DS-1275ZJ-SUS Vertical pole mount	DS-1269ZJ Pendant Mount	DS-1233ZJ Column Mount	DS-1276ZJ Corner mount
		Hik white Aluminum alloy 88×116.6×297.3mm 473g	Hik white Steel(mounting board) & Stainless Steel(clamp) 117×226×194mm Diameter of clamp: Ø67-127mm 1895g	Hik white Stainless Steel 127×46×250mm Diameter of clamp: Ø67-127mm 1205g Match up with wall mount(DS-1293ZJ)	Hik white Aluminum alloy 493×246×88mm 480g	Hik white Steel Ø160 x 1093mm 6200g	Hik white Stainless Steel 126×105×250mm 2280g Match up with wall mount(DS-1293ZJ)

Product form	Model	Relevant brackets and housings						
	DS-2CD41xxFWD-(I)(Z)(FC) iDS-2CD6124FWD-(I)(Z)(H)/(F)/(B)/(C) DS-2CD51X6G0-IZS DS-2CD51X5G0-IZS DS-2CD7126G0/(L)-IZS	Indoor						
								
		DS-1271ZJ-130 Pendant Mount	DS-1273ZJ-130 Wall mount	DS-1273ZJ-130B Wall mount	DS-1227ZJ In-ceiling mount	DS-1275ZJ-SUS Vertical pole mount	DS-1276ZJ-SUS Corner mount	DS-1281ZJ-DM23 Inclined ceiling mount
		Hik white Aluminum alloy Ø150×565mm 1900g	Hik white Aluminum alloy 132×183.5×228.5mm 690g	Hik white Aluminum alloy with junction box 132×243×288.5mm 1475g	Hik white Aluminum alloy & ABS Plastic Ø210×90mm 540g	Hik white Stainless Steel 127×46×250mm Diameter of clamp: Ø67-127mm 1205g Match up with wall mount(DS-1273ZJ-130)	Hik white Stainless Steel 126×105×250mm 2280g Match up with wall mount(DS-1273ZJ-130)	Hik white Aluminum alloy Ø136×48mm 245g


Product form	Model	Relevant brackets and housings					
		Indoor/Outdoor					
	DS-2CD4312F(WD)-(I)(Z)(H)(S) DS-2CD4324F-(I)(Z)(H)(S) DS-2CD4332FWD-(I)(Z)(H)(S)						
		DS-1268ZJ	DS-1273ZJ-160	DS-1273ZJ-160B	DS-1276ZJ-SUS	DS-1253ZJ-L	DS-1250ZJ
		Pendant mount	Wall mount	Wall mount with junction box	Corner mount	Rain shade	Rain shade
		Hik white Aluminum alloy 150×150×590mm 2200g	Hik white Aluminum alloy 160×183.5×243mm 845g	Hik white Aluminum alloy 160×243×303mm 1630g	Hik white Stainless Steel 126X105X250mm 2280g Match up with wall mount(DS-1273ZJ-160)	Hik white Composite Fibre Ø225.1×98mm 198g Match up with wall mount(DS-1273ZJ-160)	Hik white Composite Fibre 264.7*152*189.6 mm 199g





Product form	Model	Relevant brackets and housings									
		Indoor/Outdoor(suitable for indoor)									
	DS-2CD21X5FWD-(I)(S) DS-2CD21X3G0-(I)(S) DS-2CD2122FWD-(I)(W)(S) DS-2CD2142FWD-(I)(W)(S) DS-2CD11X1-(I)(D) DS-2CD11X3G0-I DS-2CD21X3G0										
		DS-1259ZJ	DS-1271ZJ-110	DS-1272ZJ-110	DS-1272ZJ-110B	DS-1276ZJ-(SUS)	DS-1280ZJ-DM18	DS-1258ZJ	DS-1253ZJ-M	DS-1250ZJ	DS-1275ZJ-SUS
		Inclined ceiling mount	Pendant mount	Wall mount	Wall mount	Corner mount	Junction box	Wall mount	Rain shade	Rain shade	Vertical pole mount
		Hik white ABS Plastic Ø111×39.2mm 200g	Hik white Aluminum alloy Ø150×560mm 1900g	Hik white Aluminum alloy 120×122×169mm 420g	Hik white Aluminum alloy with junction box 123×180×227.8mm 1205g	Hik white Stainless Steel 126X105X250mm 2280g Match up with wall mount(DS-1272ZJ-110)	Hik white Aluminum alloy Ø115.4×43.8mm 450g	Hik white ABS plastic 120×111×161.5mm 200g	Hik white Composite Fibre Ø191.1×76mm 133g Match up with wall mount(DS-1272ZJ-110)	Hik white Composite Fibre 264.7x152x189.6 mm 199g	Hik white Stainless Steel 127×46×250mm Diameter of clamp: Ø67-127mm 1205g Match up with wall mount(DS-1273ZJ-135)




Product form	Model	Relevant brackets and housings										
		Indoor/Outdoor										
	DS-2CD2722FWD-(I)(S) DS-2CD2742FWD-(I)(S) DS-2CD17X1FWD-(I)(Z)(B) DS-2CD17X3G0-(I)(Z)											
		DS-1271ZJ-135	DS-1273ZJ-135	DS-1273ZJ-135B	DS-1275ZJ-SUS	DS-1276ZJ-SUS	DS-1227ZJ	DS-1280ZJ-DM21	DS-1281ZJ-DM23	DS-1253ZJ-L	DS-1250ZJ	DS-1258ZJ-L
		Pendant mount	Wall mount	Wall mount with junction box	Vertical pole mount	Corner mount	In-ceiling mount	Junction box	Inclined ceiling mount	Rain shade	Rain shade	Wall mount
		Hik white Aluminum alloy 150×150×565mm 1900g	Hik white Aluminum alloy 136×183.5×230mm 704g	Hik white Aluminum alloy with junction box 136×243×290mm 1490g	Hik white Stainless Steel 127×46×250mm Diameter of clamp: Ø67-127mm 1205g Match up with wall mount(DS-1273ZJ-135)	Hik white Stainless Steel 126x105x250mm 2280g Match up with wall mount(DS-1273ZJ-135)	Hik white Aluminum alloy & ABS Plastic Ø210×90mm 540g	Hik white Aluminum alloy 162×137×42mm 250g	Hik white Aluminum alloy 136.3×136.3×48mm 245g	Hik white Composite Fibre Ø225.1×98mm 198g Match up with wall mount (DS-1273ZJ-135)	Hik white Composite Fibre 264.7x152x189.6 mm 199g	Hik white Plastic 136×183×213mm 260g

Product form	Model	Relevant brackets and housings				
	DS-2CD27X5FWD-IZS DS-2CD27X3G0-IZS	Indoor/Outdoor				
						
		DS-1471ZJ-155 Pendant Mount	DS-1473ZJ-155 Wall Mount	DS-1475ZJ-SUS Vertical pole mount	DS-1476ZJ-SUS Corner mount	DS-1227ZJ-DM37 In-Ceiling Mount
Hik white Aluminum alloy Φ155×150×565mm	Hik white Aluminum alloy 155×183.5×240mm	Hik white Stainless Steel 127×46×250mm Diameter of clamp: Φ67-127mm 1205g Match up with wall mount(DS-1473ZJ-155)	Hik white Stainless Steel 126X105X250mm 2280g Match up with wall mount(DS-1473ZJ-155)	Hik white Steel and Plastic Ø 225 mm × 98.2 mm (8.86 × 3.87) 700 g (1.54 lb.)		








Product form	Model	Relevant brackets and housings						
	DS-2CD45XXF(WD)-(I)Z(H)(S)	Indoor/Outdoor						
								
		DS-1273ZJ-DM26 Wall mount	DS-1273ZJ-DM26-B Wall mount with junction box	DS-1271ZJ-DM26 Pendant mount	DS-1250ZJ Rain shade	DS-1275ZJ-SUS Vertical pole mount	DS-1276ZJ-SUS Corner mount	DS-1227ZJ-DM26 In-ceiling Mount
Hik white Aluminum alloy 255×225.7×185mm 1550g	Hik white Aluminum alloy 314.5×260×184.9mm 2050g	Hik white Aluminum alloy 676×185×185mm 2150g	Hik white Composite Fibre 264.7*152*189.6 mm 199g	Hik white Stainless Steel 127×46×250mm Diameter of clamp: Φ67-127mm 1205g Match up with wall mount(DS-1273ZJ-DM26)	Hik white Stainless Steel 126X105X250mm 2280g Match up with wall mount(DS-1273ZJ-130)	Hik white Aluminum alloy Ø225×98mm		



Product form	Model	Relevant brackets and housings				
	DS-2CD4D16/26FWD-IZ(S)	Indoor/Outdoor				
						
		DS-1471ZJ-155 Pendant Mount	DS-1473ZJ-155 Wall Mount	DS-1475ZJ-SUS Vertical pole mount	DS-1476ZJ-SUS Corner mount	DS-1227ZJ-DM37 In-Ceiling Mount
Hik white Aluminum alloy Φ155×150×565mm	Hik white Aluminum alloy 155×183.5×240mm	Hik white Stainless Steel 127×46×250mm Diameter of clamp: Φ67-127mm 1205g Match up with wall mount(DS-1473ZJ-155)	Hik white Stainless Steel 126X105X250mm 2280g Match up with wall mount(DS-1473ZJ-155)	Hik white Steel and Plastic Ø 225 mm × 98.2 mm (8.86 × 3.87) 700 g (1.54 lb.)		



Product form	Model	Relevant brackets and housings		
		Indoor/Outdoor		
	DS-2CD4526F-WD-IZHY DS-2CD4535F-WD-IZHY			
		DS-1273ZJ-DM26-Y	DS-1275ZJ-SUS	DS-1276ZJ-SUS
		Wall mount	Vertical pole mount	Corner mount
		Hik white Stainless Steel 127×46×250mm	Hik white Stainless Steel 126X105X250mm 2280g	Hik white Stainless Steel 126X105X250mm 2280g
		Diameter of clamp: Ø67-127mm 1205g Match up with wall mount()	Match up with wall mount()	Match up with wall mount()

Product form	Model	Relevant brackets and housings			
		Indoor/Outdoor			
	DS-2CD55X60-IZ(H)S DS-2CD55X560-IZ(H)S				
		DS-1471ZJ-155	DS-1473ZJ-155	DS-1475ZJ-SUS	DS-1476ZJ-SUS
		Pendant Mount	Wall Mount	Vertical pole mount	Corner mount
		Hik white Aluminum alloy Ø155×150×565mm	Hik white Aluminum alloy 155×183.5×240mm	Hik white Stainless Steel 127×46×250mm Diameter of clamp: Ø67-127mm 1205g Match up with wall mount(DS-1473ZJ-155)	Hik white Stainless Steel 126X105X250mm 2280g Match up with wall mount(DS-1473ZJ-155)




Product form	Model	Relevant brackets and housings	
		Indoor	
	DS-2CD2F22FWD-I(W)(S) DS-2CD2F42FWD-I(W)(S)		
		DS-1294ZJ	DS-1280ZJ-PT3
		Wall mount	Junction box
		Hik white Toughened Plastic 223.9×80×125.8mm 450g	Hik white Plastic Ø120×40mm 104g







Product form	Model	Relevant brackets and housings				
		Indoor/Outdoor				
	DS-2CD2522FWD-I(W)(S) DS-2CD2542FWD-I(W)(S) DS-2XM61X2FWD-I(M)					
		DS-1272ZJ-120	DS-1272ZJ-120B	DS-1271ZJ-120	DS-1276ZJ-SUS	DS-1280ZJ-DM22
		Wall mount	Wall mount	Pendant mount	Corner mount	Junction box
	DS-2CD2523 DS-2CD2543 DS-2CD2563 DS-2CD2545	Hik white Aluminum alloy 120×122×173.5mm 430g	Hik white Aluminum alloy with junction box 123×180×223mm 1225g	Hik white Aluminum alloy Ø150×573mm 1900g	Hik white Stainless Steel 126X105X250mm 2280g Match up with wall mount(DS- 1272ZJ-120)	Hik white Aluminum alloy 164.8×137×53.4mm 520g

Product form	Model	Relevant brackets and housings						
		Indoor/Outdoor						
 	DS-2CD2322WD-I DS-2CD2342WD-I DS-2CD23X5FWD-I DS-2CD23X3G0-I							
		DS-1273ZJ-130-TRL	DS-1275ZJ-SUS	DS-1276ZJ-SUS	DS-1280ZJ-DM8	DS-1281ZJ-M	DS-1271ZJ-130-TRL	DS-1273ZJ-130B-TRL
		Wall mount	Vertical pole mount	Corner mount	Junction box	Inclined ceiling mount	Pendant mount	Wall mount
		Hik white Aluminum alloy 131×183.5×228.5mm 890g	Hik white Stainless Steel 127×46×250mm Diameter of clamp: Ø67- 127mm 1205g Match up with wall mount(DS-1273ZJ-130-TRL)	Hik white Stainless Steel 126X105X250mm 2280g Match up with wall mount(DS-1273ZJ-130-TRL)	Hik white Aluminum alloy Ø126.7mm×35mm	Hik white Aluminum alloy 157×165.7×61.8mm 586g	Hikvision white Aluminum alloy Ø150×567mm	Hikvision White Aluminum Alloy Ø 132 mm × 242.9 mm × 288.5mm (5.20 × 9.56 × 11.36) 1690 g (3.73 lb.)

Product form	Model	Relevant brackets and housings						
		Indoor/Outdoor						
	DS-2CD2321-I							
		DS-1258ZJ Wall mount	DS-1272ZJ-110 Wall mount	DS-1275ZJ-SUS Vertical pole mount	DS-1276ZJ-SUS Corner mount	DS-1280ZJ-S Junction box	DS-1281ZJ-S Inclined ceiling mount	DS-1271ZJ-110 Pendant mount
		Hik white ABS plastic 120×111×161.5mm 200g	Hik white Aluminum alloy 120×122×169mm 420g	Hik white Stainless Steel 127×46×250mm Diameter of clamp: Ø67-127mm 1205g Match up with wall mount (DS-1272ZJ-110)	Hik white Stainless Steel 126X105X250mm 2280g Match up with wall mount (DS-1272ZJ-110)	Hik white Aluminum alloy 137×53.4×164.8mm 527g	Hik white Aluminum alloy 137×56.5×147mm 472g	Hik white Aluminum alloy Ø150×560mm 1900g






Product form	Model	Relevant brackets and housings					
		Indoor/Outdoor					
	DS-2CD2HX5FWD-IZS DS-2CD2HX3G0-IZS						
		DS-1473ZJ-135 Wall mount	DS-1471ZJ-135 Pendant mount	DS-1281ZJ-DM23 Inclined ceiling mount	DS-1475ZJ-SUS Vertical pole mount	DS-1476ZJ-SUS Corner mount	DS-1473ZJ-135B Wall mount with junction box
		Hik white Aluminum alloy 136×183.5×230mm 704g	Hik white Aluminum alloy 150×150×565mm 1900g	Hik white Aluminum alloy 136.3×136.3×48mm 245g	Hik white Stainless Steel 127×46×250mm Diameter of clamp: Ø67-127mm 1205g Match up with wall mount(DS-1473ZJ-135)	Hik white Stainless Steel 126X105X250mm 2280g Match up with wall mount(DS-1473ZJ-135)	Hik white Aluminum alloy with junction box 136×243×290mm 1490g

Product form	Model	Relevant brackets and housings					
		Indoor/Outdoor					
	DS-2CD1HX1WD-IZ						
		DS-1273ZJ-130-TRL Wall mount	DS-1275ZJ-SUS Vertical pole mount	DS-1276ZJ-SUS Corner mount	DS-1280ZJ-M Junction box	DS-1281ZJ-M Inclined ceiling mount	DS-1271ZJ-130-TRL Pendant mount
		Hik white Aluminum alloy 131×183.5×228.5mm 890g	Hik white Stainless Steel 127×46×250mm Diameter of clamp: Ø67-127mm 1205g Match up with wall mount(DS-1273ZJ-130-TRL)	Hik white Stainless Steel 126X105X250mm 2280g Match up with wall mount(DS-1273ZJ-130-TRL)	Hik white Aluminum alloy 157×184.8×53.4mm 621g	Hik white Aluminum alloy 157×165.7×61.8mm 586g	Hikvision white Aluminum alloy Ø150×567mm

Product form	Model	Relevant brackets and housings Indoor/Outdoor			
	DS-2CD1301D-I(B)				
	DS-2CD13X3G0-I DS-2CD13X1-I(D)	DS-1272ZJ-110-TRS Wall mount	DS-1275ZJ-SUS Vertical pole mount	DS-1276ZJ-SUS Corner mount	DS-1280ZJ-S Junction box
		Hik white Aluminum alloy 120×122×169mm 420g	Hik white Stainless Steel 127×46×250mm Diameter of clamp: Ø67-127mm 1205g Match up with wall mount(DS-1272ZJ-110-TRS)	Hik white Stainless Steel 126×105×250mm 2280g Match up with wall mount(DS-1272ZJ-110-TRS)	Hik white Aluminum alloy Ø137 x 53.4x 164.8mm 527g

Product form	Model	Relevant brackets and housings Indoor/Outdoor								
	DS-2CD48XX									
		DS-1271ZJ-DM25 Pendant mount	DS-1273ZJ-DM25 Wall mount	DS-1280ZJ-DM25 Junction box	DS-1281ZJ-DM25 Inclined ceiling mount	DS-1283ZJ Three axis adjustment	DS-1275ZJ-SUS Vertical pole mount	DS-1276ZJ-SUS Corner mount	DS-1274ZJ-DM25 Corner mount	DS-1281ZJ-DM25-B Pendant mount
		Hik white Aluminum alloy Ø149.5×555mm 1930g	Hik white Aluminum alloy 183.5×164×231.7mm 900g	Hik white Aluminum alloy 178.5×164×41mm 340g	Hik white Aluminum alloy 157.1×164×45.5mm 300g	Hik white Aluminum alloy 167.5×167.5×48.7mm	Hik white Stainless Steel 127×46×250mm Diameter of clamp: Ø67-127mm 1205g Match up with wall mount(DS-1283ZJ)	Hik white Stainless Steel 126×105×250mm 2280g Match up with wall mount(DS-1273ZJ-130, DS-1283ZJ)	Hik white Aluminum alloy 209×195×114mm	Hik white Aluminum alloy 161×156×165.5mm

Product form	Model	Relevant brackets and housings Indoor/Outdoor						
	DS-2CD6362F-I(S)(V) DS-2CD6332FWD-I(S)(V)							
		DS-1271ZJ-DM25(M1) Pendant mount	DS-1273ZJ-DM25(M1) Wall mount	DS-1280ZJ-DM25(M1) Junction box	DS-1281ZJ-DM25(M1) Inclined ceiling mount	DS-1283ZJ-DM25(M1) Three axis adjustment	DS-1276ZJ-SUS Corner mount	DS-1275ZJ-SUS Vertical pole mount
		Hik white Aluminum alloy 585×178.7×178.7mm 1730g	Hik white Aluminum alloy 251.9×178.7×183.5mm 1105g	Hik white Aluminum alloy 167.5×167.5×42mm 362g	Hik white Aluminum alloy 167.5×174.6×46.6mm 326g	Hik white Aluminum alloy 167.5×167.5×48.7mm	Hik white Stainless Steel 126×105×250mm 2280g Match up with wall mount(DS-1283ZJ)	Hik white Stainless Steel 127×46×250mm Diameter of clamp: Ø67- 127mm 1205g Match up with wall mount(DS-1283ZJ)

Product form	Model	Relevant brackets and housings			
	DS-2CD29XXF-I(I)(S) DS-2CD2935FWD-I(S) DS-2CD2955FWD-IS	Indoor			
					
		DS-1294ZJ	DS-1281ZJ-DM27	DS-1297ZJ	DS-1299ZJ
Wall mount	Inclined ceiling mount	Pendant mount (extendable)	Pendant Mount		
Hik white Toughened Plastic 223.9×80×125.8mm 450g	Hik white Plastic 111.8×40.5×108.3mm 45.8g	Hik white Aluminum alloy (High 1000-2000mm)	Hik white Aluminum Alloy 77×77×198mm 165g		

Product form	Model	Relevant brackets and housings	
	DS-2CD29XXF-I(I)(S) DS-2CD2935FWD-I(S) DS-2CD2955FWD-IS	Indoor	
			
		DS-1290ZJ-BL	DS-1291ZJ-BL
Clamp bracket	Desktop/Pendant mount		
Black Plastic 90×70×22mm	Black Plastic 87×73×73mm		
*Only available for tube unit(-30 or -31 model)		*Standard BOM, with this bracket in -10/30 by default	

Relevant brackets and housings

DS-1279ZJ
Extendable pole for Pendant mount
Hik white Aluminum alloy 250mm Match up with pendant mount(DS-1271ZJ)

Product form	Model	Relevant brackets and housings	
Anti-corrosion Dome			
		DS-1284ZJ-M	DS-1703ZJ
		Junction box	Wall mount
		Natural Stainless Steel Color Stainless Steel 229×141×71.5mm 1981g	Natural Stainless Steel Color Stainless Steel Stainless Steel Ø175.8×116.5×202mm





Product form	Model	Relevant brackets and housings	
Anti-corrosion Bullet			
		DS-1701Z	DS-1284ZJ-M
		Wall mount	Junction box
		Natural Stainless Steel Color Stainless Steel 140×228×412.5mm	Natural Stainless Steel Color Stainless Steel 229×141×71.5mm 1981g

Product form	Model	Relevant brackets and housings					
Explosion-Proof Camera							
		DS-1694ZJ-X	DS-1695ZJ-X	DS-1696ZJ-X	DS-1697ZJ-X	DS-2781ZJ-X	DS-2781ZJ-X/316L
		Pendant Mount	Wall Mount	Pendant Mount-316L	Wall Mount-316L	Explosion-Proof Terminal Box	Explosion-Proof Terminal Box
		Natural Stainless Steel Color stainless steel 304 φ136*306mm Approx. 1.07 kg	Natural Stainless Steel Color stainless steel 304 136*204.3*353.4 mm Approx. 1.04kg	Natural Stainless Steel Color stainless steel 316L φ136*306mm Approx. 1.07kg	Natural Stainless Steel Color stainless steel 316L 136*204.3*353.4 mm Approx. 1.04kg	Natural Stainless Steel Color DS-2781ZJ-X: stainless steel 304 272 mm × 272 mm × 96.8 mm (10.7 × 10.7 × 3.8) Approx. 6.7 kg (14.8 lb.)	Natural Stainless Steel Color DS-2781ZJ-X/316L: stainless steel 316L 272 mm × 272 mm × 96.8 mm (10.7 × 10.7 × 3.8) Approx. 6.7 kg (14.8 lb.)







Product form	Model	Relevant brackets and housings			
Explosion-proof Bullet	DS-2XE6222/42F-IS				
		DS-1704Z	DS-1706ZJ	DS-2781ZJ-X	DS-2781ZJ-X/316L
		Wall mount	PT joint	Explosion-Proof Terminal Box	Explosion-Proof Terminal Box
		Natural Stainless Steel Color Stainless Steel 412.5×140×228mm	Natural Stainless Steel Color Stainless Steel 85×60×55mm	Natural Stainless Steel Color DS-2781ZJ-X: stainless steel 304 272 mm × 272 mm × 96.8 mm (10.7 × 10.7 × 3.8) Approx. 6.7 kg [14.8 lb.]	Natural Stainless Steel Color DS-2781ZJ-X/316L: stainless steel 316L 272 mm × 272 mm × 96.8 mm (10.7 × 10.7 × 3.8) Approx. 6.7 kg [14.8 lb.]


Product form	Model	Relevant brackets and housings	
Anti-corrosion Dome	DS-2XC6122FWD-IS		
		DS-1705ZJ-DM35	DS-1284ZJ-M
		Wall mount	Junction box
		Natural Stainless Steel Color Stainless Steel 180×74×150mm	Natural Stainless Steel Color Stainless Steel 229×141×71.5mm 1981g

Product form	Model	Relevant brackets and housings		
Explosion-Proof Camera	DS-2CDXE64X2F-WD-IZH(R)S			
		DS-1707ZJ-Y	DS-2781ZJ-X	DS-2781ZJ-X/316L
		Wall mount	Explosion-Proof Terminal Box	Explosion-Proof Terminal Box
		Natural Stainless Steel Color SUS316L Stainless Steel 562.5 mm × 180 mm × 309 mm (22.15 × 7.09 × 12.17) 7.02 kg [15.48 lb.]	Natural Stainless Steel Color DS-2781ZJ-X: stainless steel 304 272 mm × 272 mm × 96.8 mm (10.7 × 10.7 × 3.8) Approx. 6.7 kg [14.8 lb.]	Natural Stainless Steel Color DS-2781ZJ-X/316L: stainless steel 316L 272 mm × 272 mm × 96.8 mm (10.7 × 10.7 × 3.8) Approx. 6.7 kg [14.8 lb.]

Product form	Model	Relevant brackets and housings		
Indoor Dual-lens People Counting Camera	iDS-2CD6810F/C			
		DS-1227ZJ-P1	DS-2102ZJ	DS-1299ZJ
		In-ceiling mount	Wall mount	302701248
		Hik white Φ253.4×8.5mm	Hik Black 194×110×50mm	Hik white Aluminum Alloy 77×77×198mm 165g




Product form	Model	Relevant brackets and housings
Outdoor Dual-lens people counting camera	iDS-2CD6810F-IV/C	
		DS-2781ZJ-X/316L
		Explosion-Proof Terminal Box
		Natural Stainless Steel Color DS-2781ZJ-X/316L: stainless steel 316L 272 mm × 272 mm × 96.8 mm (10.7 × 10.7 × 3.8) Approx. 6.7 kg [14.8 lb.]





Product form	Model	Relevant brackets and housings				
	DS-2CD6986F-(H)					
		DS-1271ZJ-DM30-E	DS-1605ZJ-DM30	DS-1280ZJ-B030	DS-1275ZJ-SUS	DS-1276ZJ-SUS
		Pendant mount	Wall mount	Junction Box	Vertical pole mount	Corner mount
		Hik white Aluminum alloy Φ205.6×359mm 1920g	Hik white Aluminum alloy 205.6×183.5×333.6mm 1620g	Hik white Aluminum alloy Φ195×38.5mm	Hik white Stainless Steel 127×46×250mm Diameter of clamp: Φ67-127mm 1205g Match up with wall mount(DS-1605ZJ-DM30)	Hik white Stainless Steel 126×105×250mm 2280g Match up with wall mount(DS-1605ZJ-DM30)

Product form	Model	Relevant brackets and housings				
PanoVu	DS-2CD6A64F-IHS/NFC	Outdoor				
						
		DS-1602ZJ-P Wall mount	DS-1663ZJ-P Pendant mount	DS-1673ZJ-P Horizontal pole mount	DS-1602ZJ-pole-P Vertical pole mount	DS-1661ZJ-P Pendant mount
		Grey Aluminum alloy 97×182×305mm	Grey Aluminum alloy Φ116.5×57mm	Grey Steel Diameter of the clamp Φ67-127mm (Match up with DS-1661ZJ-P, DS- 1663ZJ-P)	Grey Aluminum alloy 117×194×310mm	Grey Aluminum alloy Φ116.5×200mm

Product form	Model	Relevant brackets and housings	
Binocular Camera	DS-2CD6812D		
		DS-1297ZJ-BS Desk mount	DS-1501ZJ Desk mount
		Aluminum alloy Extension range: 30-45cm	100×218.9×185.1mm


Product form	Model	Relevant brackets and housings						
PanoVu	DS-2CD6DX4FWD-II(ZH)(S)(/NFC)	Outdoor						
								
		DS-1604ZJ Wall Mount with junction box	DS-1603ZJ Wall mount	DS-1663ZJ Ceiling mount	DS-1661ZJ Pendant mount	DS-1275ZJ-SUS Vertical pole mount	DS-1276ZJ-SUS Corner mount	DS-1673ZJ Horizontal pole mount
		Hik white Aluminum alloy 255×171×355.5mm 2150g	Hik white Aluminum alloy 98×182×362mm	Hik white Aluminum alloy Φ116.5×57mm	Hik white Aluminum alloy Φ116.5×200mm	Hik white Stainless Steel 127×46×250mm Diameter of clamp: Φ67- 127mm 1205g	Hik white Stainless Steel 126×105×250mm 2280g	Hik white Steel(mounting board) & Stainless Steel(clamp) Diameter of clamp: Φ67- 127mm Match up with pendant mount



Product form	Model	Relevant brackets and housings
Underwater Camera	DS-2XC6224G0-L DS-2XC6225G0-L	
		DS-1706ZJ PT joint
		Natural Stainless Steel Color Stainless Steel 85×60×55mm

Product form	Model	Relevant brackets and housings		
PanoVu Series Panoramic Dome Camera	DS-2CD6924F-II(S)(/NFC)	Outdoor		
				
		DS-1661ZJ Pendant mount	DS-1662ZJ Pendant mount	DS-1604ZJ Wall Mount with junction box
		Hik white Aluminum alloy Φ116.5×200mm 600g	Hik white Aluminum alloy Φ116.5×500mm 960g	Hik white Aluminum alloy 255×171×355.5mm 2150g

BRACKET

PTZ CAMERA

Product form	Model	Relevant brackets and housings	
2.5" Mini Indoor PTZ without IR	DS-2DE2103 DS-2DE2202	Indoor	
			
2.5" Mini Indoor PTZ with IR	DS-2DE2103I DS-2DE2202I DS-2DE2106IW DS-2DE2204IW DS-2DE2204IW-DE3/W	DS-1294ZJ	DS-1280ZJ-PT3
		Wall mount	Junction box
		Hik white Toughened Plastic 223.9×80×125.8mm 450g	Hik white Plastic Ø120×40mm 104g















Product form	Model	Relevant brackets and housings
2.5" Mini Indoor PTZ without IR	DS-2DE2AX04IW-DE3	Indoor
		
		DS-1294ZJ-PT Junction box Hik white Plastic Ø120×40mm 104g

Product form	Model	Relevant brackets and housings				
3" Mini PTZ		Indoor				
						
		DS-1227ZJ-PT6	DS-1273ZJ-PT6	DS-1280ZJ-PT6	DS-1275ZJ-SUS*	DS-1276ZJ-SUS*
	DS-2DE3204W-DE DS-2DE3304W-DE	In-ceiling mount	Wall mount	Junction Box	Vertical pole mount	Corner mount
		Hik white Steel+Platic Ø210×79.3mm	Hik white 183.5×140×232mm	Hik white Aluminum alloy 136.5×42×162.5mm 280g	Hik white Stainless Steel 127×46×250mm Diameter of clamp: Ø67-127mm 1205g	Hik white Stainless Steel 126×105×250mm 2280g

*Match up with DS-1273ZJ-PT6


Product form	Model	Relevant brackets and housings											
4 inch PTZ Dome Camera with IR	DS-2AE4XXTI-A	Outdoor(only available for outdoor PTZ model)											
4 inch PTZ Dome Camera without IR	DS-2AF4262 DS-2AE41XX/45XX DS-2DE41XX/45XX DS-2DE4220 DS-2AE4XXT-A(B) DS-2DE4220I(W)-D												
		DS-1661ZJ	DS-1662ZJ	DS-1663ZJ	DS-1618ZJ	DS-1660ZJ	DS-1604ZJ	DS-1604ZJ-pole	DS-1604ZJ-corner	DS-1604ZJ-box	DS-1604ZJ-BOX-POLE	DS-1604ZJ-BOX-CORNER	DS-1619ZJ
		Pendant mount	Pendant mount	Ceiling mount	Wall mount(short arm)	Parapet wall mount	Wall Mount with junction box	Vertical pole mount	Corner mount	Wall mount with junction box	Vertical Pole Mount with junction box	Wall Mount with junction box	Gooseneck mount
		Hik white Aluminum alloy Ø116.5×200mm 600g	Hik white Aluminum alloy Ø116.5×500mm 960g	Hik white Aluminum alloy Ø116.5×57mm 380g	Hik white Aluminum alloy 110×145×189mm 550g	Hik white Aluminum alloy 180×950×800mm 2900g	Hik white Aluminum alloy 255×171×355.5mm 2150g	Hik white Aluminum alloy 170.7×261.8×355.5mm	Hik white Aluminum alloy 206.8×261.8×465mm	Hik white Aluminum alloy 281.2×170.7×395.5mm	Hik white Aluminum alloy & steel 222×139.3×422mm	Hik white Aluminum alloy & steel 255.5×314×542.5mm	Hik white Aluminum alloy 455.2×130.4×841.5mm



Product form	Model	Relevant brackets and housings					
	DS-2DE4A220IW-DE DS-2DE4A320IW-DE	Indoor					
							
		DS-1605ZJ Wall Mount Bracket	DS-1671ZJ-SD11 In-ceiling Mount Bracket	DS-1280ZJ-SD11 Junction Box	DS-1691ZJ-L Pendant mount	DS-1691ZJ-M Pendant mount	DS-1691ZJ Pendant mount
		Hik white Aluminum alloy 183.5×120×228.6mm 1120g	Hik white Aluminum alloy Ø233×85mm	Hik white Aluminum alloy Ø158×40mm	Hik white Steel 124×84×1000mm 2175g	Hik white Steel 124×84×500mm 1175g	Hik white Aluminum alloy 84×124×335mm 980g

Product form	Model	Relevant brackets and housings												
	DS-2DE4120I-D DS-2DE4220IW-D DS-2AE4123TI-D DS-2AE4223TI-D DS-2AE4023(N) I-D													
		Pendant mount	Pendant mount	Ceiling mount	Wall mount(short arm)	Parapet wall mount	Wall mount	Vertical pole mount	Corner mount	Wall mount with junction box	Vertical Pole Mount with junction box	Wall Mount with junction box	Gooseneck mount	In-ceiling mount
		Hik white Aluminum alloy Ø116.5×200mm 600g	Hik white Aluminum alloy Ø116.5×500mm 960g	Hik white Aluminum alloy Ø116.5×57mm 380g	Hik white Aluminum alloy 110×145×189mm 550g	Hik white Aluminum alloy 180×950×800mm 2900g	Hik white Aluminum alloy 255×171×355.5mm 2150g	Hik white Aluminum alloy 170.7×261.8×355.5mm	Hik white Aluminum alloy 206.8×261.8×465mm	Hik white Aluminum alloy 281.2×170.7×395.5mm	Hik white Aluminum alloy & steel 222×139.3×422mm	Hik white Aluminum alloy & steel 255.5×314×542.5mm	Hik white Aluminum alloy 455.2×130.4×841.5mm	Hik Black Steel + plastic Ø232.9×142.6mm

Product form	Model	Relevant brackets and housings												
5 inch with IR	 DS-2AE5XXXI DS-2AE5XXXTI DS-2AE5XXXTI-A(B) DS-2AE5XXXTI-A(C)	Outdoor(only available for outdoor PTZ model)												
5 inch without IR	 DS-2AE5XXX DS-2DF1-5XX DS-2AF1-5XX DS-2AF52XX-AS DS-2DF52XX DS-2AE5XXXT-A(B)													
IR PTZ Dome Camera2	 DS-2AF1-7XXDS DS-2AF72XX-AS DS-2DF72XX	DS-1661ZJ	DS-1662ZJ	DS-1663ZJ	DS-1660ZJ	DS-1604ZJ	DS-1604ZJ-pole	DS-1604ZJ-corner	DS-1604ZJ-box	DS-1604ZJ-BOX-POLE	DS-1604ZJ-BOX-CORNER	DS-1619ZJ	DS-1667ZJ	
IR PTZ Dome Camera4	 DS-2AE7XXX DS-2DE7XXX	Pendant mount	Pendant mount	Ceiling mount	Parapet wall mount	Wall mount	Vertical pole mount	Corner mount	Wall mount with junction box	Vertical Pole Mount with junction box	Wall Mount with junction box	Gooseneck mount	Extendable pole for Pendant mount	
6 inch	 DS-2DF6XXX DS-2DF6836V-AEL	Hik white Aluminum alloy Ø116.5×200mm 600g	Hik white Aluminum alloy Ø116.5×500mm 960g	Hik white Aluminum alloy Ø116.5×57mm 380g	Hik white Aluminum alloy 180×950×800mm 2900g	Hik white Aluminum alloy 255×171×355.5mm 2150g	Hik white Aluminum alloy 170.7×261.8×355.5mm	Hik white Aluminum alloy 206.8×261.8×465mm	Hik white Aluminum alloy 281.2×170.7×395.5mm	Hik white Aluminum alloy & steel 222×139.3×422mm	Hik white Aluminum alloy & steel 255.5×314×542.5mm	Hik white Aluminum alloy 455.2×130.4×841.5mm	Hik white Galvanized steel pipe 1500-2500mm	
8 inch	 DS-2DF8XXXI DS-2DF82XXIW-AEL DS-2DF8836I5V-AEL DS-2DF82XXI-AEL(B) iDS-2VS235-F836													
Laser IR PTZ	 DS-2DF7XXXI3-A DS-2DF7XXXI5-A													




Product form	Model	Relevant brackets and housings			
Indoor PTZ	DS-2DF5220-D4 DS-2DF5220S-DE4/W	Indoor			
					
		DS-1691ZJ Pendant mount	DS-1695ZJ Integrated wall mount	DS-1691ZJ-L Pendant mount	DS-1691ZJ-M Pendant mount
	Hik white Aluminum alloy 84×124×335mm 980g	Hik white Aluminum alloy + Plastic 157×86×246mm	Hik white Steel 124×84×1000mm 2175g	Hik white Steel 124×84×500mm 1175g	

Product form	Model	Relevant brackets and housings	
Anti-corrosion PTZ	DS-2DT6223-AEL	Outdoor	
			
		DS-1696ZJ-Y Pendant mount	DS-1697ZJ-Y Wall mount
	Stainless steel 316L 160×160×342mm 1890g	Stainless steel 316L 136×212×326mm 2300g	




Product form	Model	Relevant brackets and housings
Explosion-proof	DS-2DF6223-CX(W) wall mount bracket included in the package	Outdoor
		
		DS-1691ZJ-X Pendant Mounting
	Stainless steel 316L 303×250×200mm 5400g	
















Product form	Model	Relevant brackets and housings					
PanoVu	DS-2DP0818Z-D DS-2DP1636Z-D	Outdoor					
							
		DS-1603ZJ Wall mount	DS-1668ZJ Pendant mount	DS-1668ZJ(20) Pendant mount	DS-1673ZJ Horizontal pole mount	DS-1684ZJ Vertical Pole mount	DS-1678ZJ Junction Box
	Hik white Aluminum alloy 98×182×362mm	Hik white Steel Ø115×58mm 620g	Hik white Steel Ø115×200mm 1150g	Hik white Steel(mounting board) & Stainless Steel(- clamp) Diameter of clamp: Ø67-127mm Match up with pendant mount	Hik white Steel(mounting board) & Stainless Steel(- clamp) Diameter of clamp: Ø67-127mm Match up with Wall mount	Hik white Aluminum alloy 286×424×119.5mm	






Product form	Model	Relevant brackets and housings						
PanoVu	DS-2DP1636-D	Outdoor						
								
		DS-1603ZJ Wall mount	DS-2663ZJ 3-axis Mount	DS-1668ZJ Pendant mount	DS-1668ZJ(20) Pendant mount	DS-1673ZJ Horizontal pole mount	DS-1684ZJ Vertical Pole mount	DS-1678ZJ Junction Box
	Hik white Aluminum alloy 98×182×362mm	Hik white Aluminum alloy 275.8×269×140.1mm 2600g	Hik white Steel Ø115×58mm 620g	Hik white Steel Ø115×200mm 1150g	Hik white Steel(mounting board) & Stainless Steel(clamp) Diameter of clamp: Ø67- 127mm Match up with pendant mount	Hik white Steel(mounting board) & Stainless Steel(clamp) Diameter of clamp: Ø67- 127mm Match up with Wall mount	Hik white Aluminum alloy 286×424×119.5mm	

Product form	Model	Relevant brackets and housings		
Zoom camera	DS-2ZCA2304P(N) DS-2ZCA3604P(N)	Indoor		Housing
		 DS-1299ZJ	 DS-1292ZJ	 DS-1331HZ-CZ
Zoom camera	DS-2DZ21xx series DS-2ZCNXXXX series	Pendant Mount	Wall mount	Outdoor housing
		Hik white Aluminum Alloy 77×77×198mm 165g	Hik white Aluminum alloy 70×97.1× 217.9mm 201g	Hik white Aluminum alloy

Product form	Model	Relevant brackets and housings	
PanoVu PT	iDS-2PT9122IX-DE/S Wall mount bracket included in the package	Outdoor	
		 DS-2664ZJ	 DS-2665ZJ-P
		Grey Aluminum alloy Ø203.5× 217.4mm	Grey Aluminum alloy 179×126× 57.2mm
	Pendent mount	Pendent mount	

Product form	Model	Relevant brackets and housings	
Mini PanoVu Series	DS-2PT3326IZ-DE3 DS-2PT3122IZ-DE3 DS-2PT3306IZ-DE3	Indoor	
		 DS-1294ZJ-TRL	 DS-1271ZJ-PT10
		Wall Mount	Pendant Mount
	Hik white PC+ABS	Hik white Aluminum Alloy and Plastic Ø 160.6 mm × 532 mm (6.32 × 20.9) 1300 g (2.87 lb.)	

Product form	Model	Relevant brackets and housings												
DarkFighterX PTZ camera	DS-2DF8225IH-AEL(W)	Outdoor												
		 DS-1604ZJ-P	 DS-1663ZJ-P	 DS-1660ZJ-P	 DS-1661ZJ-P	 DS-1667ZJ-P	 DS-1682ZJ-P	 DS-1662ZJ-P	 DS-1673ZJ-P	 DS-1604ZJ-Pole-P	 DS-1604ZJ-Corner-P	 DS-1604ZJ-BOX-P	 DS-1604ZJ-BOX-CORNER-P	 DS-1604ZJ-BOX-POLE-P
6 Inch PTZ Dome Camera	Wall Mount with junction box	Ceiling mount	Parapet wall mount	Pendant mount	Extendable pole for Pendant mount	Extendable pole for Pendant mount	Pendant mount	Horizontal pole mount	Vertical pole mount	Corner mount	Wall mount with junction box	Wall Mount with junction box	Vertical Pole Mount with junction box	
	DS-2DF6AXXX-AEL(C)	Platinum gray Aluminum alloy 255×171× 355.5mm 2150g	Platinum gray Aluminum alloy Ø116.5×57mm 380g	Platinum gray Aluminum alloy 180×950× 800mm 2900g	Platinum gray Aluminum alloy Ø116.5× 200mm 600g	Platinum gray Galvanized steel pipe 1500-2500mm	Platinum gray Aluminum alloy 500mm Match up with pendant mount(DS-1661ZJ,DS-1662ZJ)	Platinum gray Aluminum alloy Ø116.5× 500mm 960g	Platinum gray Steel(mounting board) & Stainless Steel(clamp) Diameter of clamp: Ø67-127mm Match up with pendant mount	Platinum gray Aluminum alloy 170.7×261.8× 355.5mm	Platinum gray Aluminum alloy 206.8×261.8× 465mm	Platinum gray Aluminum alloy 281.2×170.7× 395.5mm	Platinum gray Aluminum alloy & steel 255.5×314× 542.5mm	Platinum gray Aluminum alloy & steel 222×139.3× 422mm



Product form	Model	Relevant brackets and housings			
Mini PanoVu Series	DS-2PTS326IZ-DE DS-2PTS306BZ-DE DS-2PTS306IZ-DE	Outdoor			
		 DS-1604ZJ	 DS-1604ZJ-pole	 DS-1604ZJ-corner	 DS-1661ZJ
		Wall Mount with junction box	Vertical pole mount	Corner mount	Pendant mount
	Hik white Aluminum alloy 255×171× 355.5mm 2150g	Hik white Aluminum alloy 170.7×261.8× 355.5mm	Hik white Aluminum alloy 206.8×261.8× 465mm	Hik white Aluminum alloy Ø116.5×200mm 600g	



Product form	Model	Relevant brackets and housings			
PanoVu	DS-2DP0818ZX-D(B) DS-2DP0818ZIX-D(B) DS-2DP0818IZIX-D DS-2DP1636ZX-D(B) DS-2DP1636ZIX-D(B) DS-2DP1636IZIX-D	Outdoor			
		 DS-1603ZJ-P	 DS-1668ZJ-P	 DS-1668ZJ(20)-P	 DS-1603ZJ-Pote-P
		Wall mount	Pendant mount	Pendant mount	Vertical Pole Mount
	Platinum Gray Aluminum Alloy 364.1 mm × 182.0 mm (14.3 × 7.2) 1400 g (3.09 lb.)	Platinum Gray Steel Ø115×58mm 620g	Platinum Gray Steel Ø 115 mm × 200 mm (4.53 × 7.87) 1150 g (2.54 lb.)	Platinum Gray Aluminum Alloy+steel 410.6×194× 126.1 mm 2.5Kg	



BRACKET

POSITIONING

Product form	Model	Relevant brackets and housings	
Positioning System	DS-2DY91XX	Outdoor	
			
		DS-1693ZJ Wall mount	DS-1678ZJ Junction Box
	Hik white steel 190×200×500mm 5700g	Hik white Aluminum alloy 286×424×119.5mm	













Product form	Model	Relevant brackets and housings	
Positioning System Lite	DS-2DY5223IW-AE	Outdoor	
			
		DS-1693ZJ-S Wall mount	
	Hik white steel 167×182×309mm 2330g		







Product form	Model	Relevant brackets and housings		
PT Bullet Camera	DS-2DY3X20IW-DE	Outdoor		
				
		DS-1280ZJ-M(SPTZ) Junction Box	DS-1281ZJ-M(SPTZ) Inclined ceiling mount	DS-1275ZJ(SPTZ) Pole mount
	Hik white steel 157 x 53.4 x 184mm 621g	Hik white steel 157 x 61.8 x 165.7mm 586g	Hik white steel 250 x 127 x 140mm	

Product form	Model	Relevant brackets and housings	
Explosion-Proof Positioning System	DS-2DY9236I-CWX-(W/316L)	Outdoor	
			
		DS-1713ZJ-Y (SUS316L) Wall Mounting Bracket	
	Natural Stainless Steel Color SUS316L Ø 270 mm × 479 mm × 235 mm (Ø 10.63 × 18.86 × 9.25) 7.1 kg (15.65 lb.)		

BRACKET

HOUSING



Key feature	Model	Relevant brackets			Key feature	Model	Relevant brackets					Key feature	Model	Relevant brackets
 <p>Hik white Complex fiber 290×142×92mm 640g</p>	DS-1330HZ	Indoor			 <p>Hik white Aluminum alloy 288×149×100mm 800g</p>	DS-1332HZ	Outdoor					 <p>Three-axis adjustment Containing combined wires and fan IK10</p>	DS-1340HZ	Outdoor
														
		DS-1293ZJ Wall mount	DS-1299ZJ Pendant Mount	DS-1269ZJ Pendant mount			DS-1293ZJ Wall mount	DS-1269ZJ Pendant mount	DS-1214ZJ Horizontal pole mount	DS-1214ZJ-T Horizontal pole mount	DS-1275ZJ-SUS Vertical pole mount			DS-1275ZJ-4626 Vertical Pole Mount
		Hik white Aluminum alloy 88×116.6× 297.3mm 473g	Hik white Aluminum Alloy 77×77×198mm 165g	Hik white Aluminum alloy 493×246×88mm 480g			Hik white Aluminum alloy 88×116.6× 297.3mm 473g	Hik white Aluminum alloy 493×246× 88mm 480g	Hik white Steel(mount- ing board) & Stainless Steel(clamp) 117×226× 194mm Diameter of clamp: Ø67- 127mm 1895g	Hik white Steel(mount- ing board) & Stainless Steel(clamp)	Hik white Stainless Steel 127×46×25 0mm Diameter of clamp: Ø67- 127mm 1205g Match up with wall mount(DS- 1293ZJ)			Hik white, Steel(mounting board) & Stainless Steel(clamp) 127×46×250mm 1235g For 5 series box camera



Key feature	Model	Key feature	Model	Relevant brackets									
 <p>Hik white Aluminum alloy Containing fan DC12V IP67 110×165×445mm 1900g</p>	DS-1331HZ-C	 <p>Hik white Aluminum alloy Containing fan and heater AC24V IP67 110×165×445mm 1900g</p>	DS-1331HZ-H	Outdoor									
	DS-1331HZ-W		DS-1331HZ-HI	DS-1293ZJ	DS-1269ZJ	DS-1214ZJ	DS-1214ZJ-T	DS-1233ZJ	DS-1232ZJ	DS-1232ZJ-T	DS-1275ZJ-SUS		
 <p>Hik white Aluminum alloy Containing fan and wiper AC24V IP67 445×165×170mm 1900g</p>	DS-1331HZ-HI	 <p>Hik white Aluminum alloy Containing fan and heater AC 24V(DC 12V) IP67 suitable for wide angle lens and fish-eye lens 454.2×169.2×114.6mm 1900g</p>	DS-1331HZ-R	Wall mount	Pendant mount	Horizontal pole mount	Horizontal pole mount	Column Mount	Cardan Joint	Cardan Joint	Vertical pole mount		
 <p>Hik white Aluminum alloy Containing fan, wiper and heater AC24V IP67 445×165×170mm 2500g</p>	DS-1331HZ-HW	 <p>Hik white Aluminum alloy Containing Cooling module AC 110 to 240V IP66 490×169.4×100mm 3200g</p>	DS-1331HZ-R	Hik white Aluminum alloy 88×116.6× 297.3mm 473g	Hik white Aluminum alloy 493×246× 88mm 480g	Hik white Steel(mount- ing board) & Stainless Steel(clamp) 117×226× 194mm Diameter of clamp: Ø67- 127mm 1895g	Hik white Steel(mount- ing board) & Stainless Steel(clamp)	Hik white Steel Ø160 x 1093mm 6200g	Hik white Steel 126×103.5× 83mm 790	Hik white Steel 96×95×92.5mm	Hik white Stainless Steel 127×46× 250mm Diameter of clamp: Ø67- 127mm 1205g Match up with wall mount(DS- 1293ZJ)		

BRACKET






ANALOGUE CAMERA



Product form	Model	Relevant brackets and housings					
Box camera 18	DS-2CC12D9T-A DS-2CC12D9T-E	Indoor		Indoor housing		Outdoor housing	
							
	DS-1299ZJ	DS-1280ZJ-XS	DS-1292ZJ	DS-1332HZ	DS-1330HZ	DS-1331HZ Series	
	Pendant Mount	Junction box	Wall mount	Indoor housing	Indoor housing	Outdoor housing	
	Hik white Aluminum Alloy 77×77×198mm 165g	Hik white Aluminum Alloy Φ100 x 43.2 x 129mm 320g (Match up with DS-1299ZJ)	Hik white Aluminum alloy 70×97.1×217.9mm 201g	Hik white Aluminum alloy 288×149×100mm 800g	Hik white Complex fiber 290×142×92mm 640g	Hik white Aluminum alloy	

Product form	Model	Relevant brackets and housings	
Bullet camera 14	DS-2CE16D0T-IR(P)	Indoor/Outdoor	
			
		DS-1280ZJ-XS	Junction box
		Hik white Aluminum Alloy Φ100 x 43.2 x 129mm 320g	





Product form	Model	Relevant brackets and housings	
Bullet camera 15	DS-2CE16D5T-IT1/IT3	Indoor/Outdoor	
			
		DS-1280ZJ-XS	Junction box
		Hik white Aluminum Alloy Φ100 x 43.2 x 129mm 320g	

Product form	Model	Relevant brackets and housings			
Bullet camera 16	DS-16CE2D5T-IT5	Indoor/Outdoor			
					
		DS-1275Z-SUS	DS-1260ZJ	DS-1280ZJ-S	DS-1276ZJ-SUS
		Vertical pole mount	Junction box	Junction box	Corner mount
		Hik white Stainless Steel 127×46×250mm Diameter of clamp: Φ67-127mm 1205g	Hik white Aluminum alloy Φ105 mm	Hik white Aluminum alloy Φ137 x 53.4x 164.8mm 527g	Hik white Stainless Steel 126×105×250mm 2280g

Product form	Model	Relevant brackets and housings			
Bullet camera 20 	DS-2CE16D5T-(A)VFIT3	Indoor/Outdoor			
					
		DS-1275Z-SUS Vertical pole mount Hik white Stainless Steel 127×46×250mm Diameter of clamp: Ø67-127mm 1205g	DS-1260ZJ Junction box Hik white Aluminum alloy Ø105 mm	DS-1280ZJ-S Junction box Hik white Aluminum alloy Ø137 x 53.4x 164.8mm 527g	DS-1276ZJ-SUS Corner mount Hik white Stainless Steel 126×105×250mm 2280g

Product form	Model	Relevant brackets and housings
Bullet camera 22 Bullet camera 23 	DS-2CC12D9T-IT3E/IT5E DS-2CE16H1T-IT1/IT3/IT5 DS-2CE16D7T-IT1/IT3/IT5 DS-2CE16F7T-IT1/IT3/IT5 DS-2CE16F1T-IT1/IT3/IT5 DS-2CE16D0T-IT1/IT3/IT5	Indoor/Outdoor
		
		DS-1280ZJ-XS Junction box Hik white Aluminum Alloy Ø100 x 43.2 x 129mm 320g

Product form	Model	Relevant brackets and housings			
Bullet camera 24 	DS-2CE16D9T-AIRAZH	Indoor/Outdoor			
					
		DS-1275Z-SUS Vertical pole mount Hik white Stainless Steel 127×46×250mm Diameter of clamp: Ø67-127mm 1205g	DS-1260ZJ Junction box Hik white Aluminum alloy Ø105 mm	DS-1280ZJ-S Junction box Hik white Aluminum alloy Ø137 x 53.4x 164.8mm 527g	DS-1276ZJ-SUS Corner mount Hik white Stainless Steel 126×105×250mm 2280g





Product form	Model	Relevant brackets and housings		
Bullet camera 25 	DS-2CE16D5T-AIR3ZH DS-2CE16D7T-(A)IT3Z DS-2CE16F7T-(A)IT3Z DS-2CE16H1T-(A)IT3Z DS-2CC12D9T-AIT3ZE	Indoor/Outdoor		
				
		DS-1275Z-SUS Vertical pole mount Hik white Stainless Steel 127×46×250mm Diameter of clamp: Ø67-127mm 1205g	DS-1280ZJ-S Junction box Hik white Aluminum alloy Ø137 x 53.4x 164.8mm 527g	DS-1276ZJ-SUS Corner mount Hik white Stainless Steel 126×105×250mm 2280g

Product form	Model	Relevant brackets and housings
Bullet camera 32 	DS-2CE16D7T-IT DS-2CE16F7T-IT DS-2CE16F1T-IT DS-2CE16H1T-IT	Indoor/Outdoor
		
		DS-1280ZJ-XS Junction box Hik white Aluminum Alloy Ø100 x 43.2 x 129mm 320g

Product form	Model	Relevant brackets and housings								
Dome camera 11	DS-2CC52D9T-AVPIT3ZE DS-2CE56H1T-(A)VPIT3ZE DS-2CE56D7T-(A)VPIT3Z DS-2CE56F7T-(A)VPIT3Z DS-2CE56D5T-(A)VPIR3 DS-2CE56D5T-AVPIR3Z(H)	Indoor/Outdoor								
										
		DS-1271ZJ-140 Pendant Mount	DS-1273ZJ-140 Wall mount	DS-1273ZJ-140B Wall mount	DS-1241ZJ In-ceiling mount	DS-1240ZJ Inclined ceiling mount	DS-1275ZJ-SUS Vertical pole mount	DS-1276ZJ-SUS Corner mount	DS-1253ZJ-L Rain shade	DS-1250ZJ Rain shade
		Hik white Aluminum alloy Φ150×565mm 1900g	Hik white Aluminum alloy 140×183.5×232mm 703g	Hik white Aluminum alloy with junction box 140×243×292mm 1488g	Hik white Aluminum alloy Φ200×26.8mm 300g	Hik white Aluminum alloy Φ145×63mm 440g	Hik white Stainless Steel 127×46×250mm Diameter of clamp: Φ67-127mm 1205g Match up with wall mount(DS-1273ZJ-140)	Hik white Stainless Steel 126×105×250mm 2280g Match up with wall mount(DS-1273ZJ-140)	Hik white Composite Fibre Φ225.1×98mm 198g Match up with wall mount(DS-1273ZJ-140)	Hik white Composite Fibre 264.7*152*189.6 mm 199g

Product form	Model	Relevant brackets and housings								
Dome camera 16	DS-2CC52D9T-AITZE DS-2CE56H1T-(A)ITZ DS-2CE56D7T-(A)ITZ DS-2CE56F7T-(A)ITZ DS-2CE56D5T-(A)VPIR DS-2CE56D5T-AIRZ	Indoor								
										
		DS-1271ZJ-130 Pendant Mount	DS-1273ZJ-130 Wall mount	DS-1273ZJ-130B Wall mount	DS-1249ZJ In-ceiling mount	DS-1275ZJ-SUS Vertical pole mount	DS-1276ZJ-SUS Corner mount	DS-1253ZJ-L Rain shade	DS-1250ZJ Rain shade	
		Hik white Aluminum alloy Φ150×565mm 1900g	Hik white Aluminum alloy 132×183.5×228.5mm 690g	Hik white Aluminum alloy with junction box 132×243×288.5mm 1475g	Hik white ABS plastic Φ169.4×14.6mm 60g	Hik white Steel 127×46×250mm Diameter of clamp: Φ67-127mm 1205g Match up with wall mount(DS-1273ZJ-130)	Hik white Stainless Steel 126×105×250mm 2280g Match up with wall mount(DS-1273ZJ-130)	Hik white Composite Fibre Φ225.1×98mm 198g Match up with wall mount(DS-1273ZJ-130)	Hik white Composite Fibre 264.7*152*189.6 mm 199g	

Product form	Model	Relevant brackets and housings									
Dome camera 18	DS-2CE56H1T-VPIT DS-2CE56F1T-VPIT DS-2CE56D7T-VPIT DS-2CE56F7T-VPIT	Indoor									
											
		DS-1259ZJ Inclined ceiling mount	DS-1271ZJ-110 Pendant mount	DS-1272ZJ-110 Wall mount	DS-1272ZJ-110B Wall mount	DS-1275ZJ-SUS Vertical pole mount	DS-1276ZJ-SUS Corner mount	DS-1280ZJ-DM18 Junction box	DS-1258ZJ Wall mount	DS-1253ZJ-M Rain shade	DS-1250ZJ Rain shade
		Hik white ABS Plastic Φ111×39.2mm 200g	Hik white Aluminum alloy Φ150×560mm 1900g	Hik white Aluminum alloy 120×122×169mm 420g	Hik white Aluminum alloy with junction box 123×180×227.8mm 1205g	Hik white Stainless Steel 127×46×250mm Diameter of clamp: Φ67-127mm 1205g Match up with wall mount(DS-1272ZJ-110)	Hik white Stainless Steel 126×105×250mm 2280g Match up with wall mount(DS-1272ZJ-110)	Hik white Aluminum alloy Φ115.4×43.8mm 450g	Hik white ABS plastic 120×111×161.5mm 200g	Hik white Composite Fibre Φ191.1×76mm 133g Match up with wall mount(DS-1272ZJ-110)	Hik white Composite Fibre 264.7*152*189.6 mm 199g



Product form	Model	Relevant brackets and housings			
Fisheye	DS-2CC52H1T-FITS	Indoor			
					
	DS-1294ZJ	DS-1281ZJ-DM27	DS-1297ZJ	DS-1299ZJ	
	Wall mount	Inclined ceiling mount	Pendant mount (extendable)	Pendant Mount	
	Hik white Toughened Plastic 223.9×80×125.8mm 450g	Hik white Plastic 111.8×40.5×108.3mm 45.8g	Hik white Aluminum alloy (Hight 1000-2000mm)	Hik white Aluminum Alloy 77×77×198mm 165g	




Product form/ Model	Product form/ Model	Relevant brackets and housings			
Mini dome camera3	Mini dome camera5	Indoor			
DS-2CE56H1T-ITM DS-2CE56D7T-ITM DS-2CE56F7T-ITM DS-2CE56F1T-ITM DS-2CE56D5T-IRM DS-2CE56D0T-IRM	DS-2CE56C0T-IR DS-2CE56C0T-IRP DS-2CE56D0T-IR(P)				
		DS-1272ZJ-110-TRS	DS-1275ZJ-SUS	DS-1276ZJ-SUS	DS-1280ZJ-XS
		Wall mount	Vertical pole mount	Corner mount	Junction box
		Hik white Aluminum alloy 120×122×169mm 420g	Hik white Stainless Steel 127×46×250 mm Diameter of clamp: Ø67-127mm 1205g Match up with wall mount(DS-1272ZJ-110-TRS)	Hik white Stainless Steel 126X105X 250mm 2280g Match up with wall mount(DS-1272ZJ-110-TRS)	Hik white Aluminum Alloy Ø100 x 43.2 x 129mm 320g

Product form	Model	Relevant brackets and housings						
Mini dome camera 9	DS-2CE56D5T-IT1/IT3	Indoor/Outdoor						
								
	DS-1272ZJ-110-TRS	DS-1275ZJ-SUS	DS-1276ZJ-SUS	DS-1258ZJ	DS-1280ZJ-S	DS-1281ZJ-S	DS-1271ZJ-110	
	Wall mount	Vertical pole mount	Corner mount	Wall mount	Junction box	Inclined ceiling mount	Pendant mount	
	Hik white Aluminum alloy 120×122×169mm 420g	Hik white Stainless Steel 127×46×250 mm Diameter of clamp: Ø67-127mm 1205g Match up with wall mount(DS-1272ZJ-110)	Hik white Stainless Steel 126X105X 250mm 2280g Match up with wall mount(DS-1272ZJ-110)	Hik white ABS plastic 120×111×161.5mm 200g Suitable for indoor	Hik white Aluminum alloy Ø137×53.4×164.8mm 527g	Hik white Aluminum alloy 137×56.5×147mm 472g	Hik white Aluminum alloy Ø150×560mm 1900g	

*Note: the -TRS means it has adapter plate compared to DS-1272ZJ-110. Special for these mini dome cameras

Product form	Model	Relevant brackets and housings					
Mini dome camera 10	DS-2CE56D5T-VFIT3	Indoor/Outdoor					
							
	DS-1273ZJ-130-TRL	DS-1275ZJ-SUS	DS-1276ZJ-SUS	DS-1280ZJ-M	DS-1281ZJ-M	DS-1271ZJ-130-TRL	
	Wall mount	Vertical pole mount	Corner mount	Junction box	Inclined ceiling mount	Pendant mount	
	Hik white Aluminum alloy 131×183.5×228.5mm 890g	Hik white Stainless Steel 127×46×250mm Diameter of clamp: Ø67-127mm 1205g Match up with wall mount(DS-1273ZJ-130-TRL)	Hik white Stainless Steel 126X105X250mm 2280g Match up with wall mount(DS-1273ZJ-130-TRL)	Hik white Aluminum alloy 157×184.8×53.4mm 621g	Hik white Aluminum alloy 157×165.7×61.8mm 586g	Hik white Aluminum alloy Ø150×567mm	



Product form		Model		Relevant brackets and housings		
Mini dome camera 12		Indoor/Outdoor				
						
		DS-1273ZJ-130-TRL	DS-1275ZJ-SUS	DS-1276ZJ-SUS	DS-1280ZJ-M	DS-1281ZJ-M
		Wall mount	Vertical pole mount	Corner mount	Junction box	Inclined ceiling mount
		Hik white Aluminum alloy 131×183.5×228.5mm 890g	Hik white Stainless Steel 127×46×250mm Diameter of clamp: Ø67-127mm 1205g Match up with wall mount(DS-1273ZJ-130-TRL)	Hik white Stainless Steel 126X105X250mm 2280g Match up with wall mount(DS-1273ZJ-130-TRL)	Hik white Aluminum alloy 157×184.8×53.4mm 621g	Hik white Aluminum alloy 157×165.7×61.8mm 586g

Product form		Model		Relevant brackets and housings		
Mini dome camera 13		Indoor/Outdoor				
						
		DS-1272ZJ-110-TRS	DS-1275ZJ-SUS	DS-1276ZJ-SUS	DS-1280ZJ-S	DS-1281ZJ-S
		Wall mount	Vertical pole mount	Corner mount	Junction box	Inclined ceiling mount
		Hik white Aluminum alloy 110×120×120mm 420g	Hik white Stainless Steel 127×46×250mm Diameter of clamp: Ø67-127mm 1205g Match up with wall mount (DS-1272ZJ-110)	Hik white Stainless Steel 126X105X250mm 2280g Match up with wall mount (DS-1272ZJ-110)	Hik white Aluminum alloy 137×53.4×164.8mm 527g	Hik white Aluminum alloy 137×56.5×147mm 472g







BRACKET






IP CAMERA





Product form	Model	Relevant brackets and housings					
Box camera 14	DS-2CD40XXF(WD)-XXXX DS-2CD4CXXFWD	Indoor		Indoor housing		Outdoor housing	
							
		DS-1299ZJ	DS-1292ZJ	DS-1332HZ	DS-1330HZ	DS-1331HZ Series	DS-1340HZ
	Pendant Mount	Wall mount	Indoor housing	Indoor housing	Outdoor housing	Outdoor housing	
		Hik white Aluminum Alloy 77×77×198mm 165g	Hik white Aluminum alloy 70×97.1×217.9mm 201g	Hik white Aluminum alloy 288×149×100mm 800g	Hik white Complex fiber 290×142×92mm 640g	Hik white Aluminum alloy	Three-axis adjustment Containing combined wires and fan IK10

Product form	Model	Relevant brackets and housings
Box camera 14	DS-2CD20XX DS-2CD20X5FWD-I	Indoor/Outdoor
		
		DS-1280ZJ-XS
	Junction box	Hik white Aluminum Alloy Φ100 x 43.2 x 129mm 320g

Product form	Model	Relevant brackets and housings	
Bullet camera 40	DS-2CD26X5FWD-IZS	Indoor/Outdoor	
			
		DS-1475ZJ-SUS	DS-1476ZJ-SUS
	Vertical pole mount	Corner mount	Hik white Stainless Steel 127×46×250mm Diameter of clamp: Φ67-127mm 1205g
		Hik white Stainless Steel 127×46×250mm Diameter of clamp: Φ67-127mm 1205g	Hik white Stainless Steel 126×105×250mm 2280g

Product form	Model	Relevant brackets and housings				
Bullet camera 17	DS-2CD2622FWD-I(W)(S) DS-2CD2642FWD-I(Z)(S)	Indoor/Outdoor				Outdoor
						
		DS-1260ZJ	DS-1275ZJ-SUS	DS-1280ZJ-S	DS-1276ZJ-SUS	Rubber sleeve
	Junction box	Vertical pole mount	Junction box	Corner mount	Rubber sleeve with weather proof	
		Hik white Aluminum alloy Φ105 mm	Hik white Stainless Steel 127×46×250mm Diameter of clamp: Φ67-127mm 1205g	Hik white Aluminum alloy Φ137 x 53.4x 164.8mm 527g	Hik white Stainless Steel 126×105×250mm 2280g	Hik white Rubber

Product form	Model	Relevant brackets and housings			
		Indoor/Outdoor			
Bullet camera 23	DS-2CD2TXX				
		DS-1275ZJ-SUS	DS-1280ZJ-S	DS-1260ZJ	DS-1276ZJ-SUS
		Vertical pole mount	Junction box	Junction box	Corner mount
		Hik white Stainless Steel 127×46×250mm Diameter of clamp: Ø67-127mm 1205g	Hik white Aluminum alloy 137×53.4×164.8mm 527g	Hik white Aluminum alloy Ø105 mm	Hik white Stainless Steel 126X105X250mm 2280g











Product form	Model	Relevant brackets and housings		
		Indoor/Outdoor		
Bullet camera 24	DS-2CD4AXXF(WD)-I(Z)(H)(S)			
		DS-1275ZJ-SUS	DS-1276ZJ-SUS	Rubber sleeve
		Vertical pole mount	Corner mount	Rubber sleeve with weather proof
		Hik white Stainless Steel 127×46×250mm Diameter of clamp: Ø67-127mm 1205g	Hik white Stainless Steel 126X105X250mm 2280g	Hik white Rubber


Product form	Model	Relevant brackets and housings
		Indoor/Outdoor
Bullet camera 28	DS-2CD20XXF(WD)-I(W)	
		DS-1280ZJ-S
		Junction box
		Hik white Aluminum alloy 137×53.4×164.8mm 527g


Product form	Model	Indoor/Outdoor
	DS-2CD46XXF(WD)-I(Z)(H)(S)	
		DS-1275ZJ-4626
		Vertical Pole Mount Hik white Steel(mounting board) & Stainless Steel(clamp) 127×46×250mm 1235g











Product form	Model	Relevant brackets and housings					
		Indoor/Outdoor					
Box camera	DS-2CD40XXF/E-(H)(IR5)(IRA) DS-2CD40XXFWD/E-(H)(IR5)(IRA) DS-2CD40xxFWD/E-(H)(IR5)(3.8-16mm) DS-2CD40xxFWD/E-(H)(IRA)(11-40mm) DS-2CD4026FWD/E-(H)(7-33mm)						
		DS-1293ZJ	DS-1214ZJ	DS-1275ZJ-SUS	DS-1269ZJ	DS-1233ZJ	DS-1276ZJ
		Wall mount	Horizontal pole mount	Vertical pole mount	Pendant Mount	Column Mount	Corner mount
		Hik white Aluminum alloy 88×116.6× 297.3mm 473g	Hik white Steel(mounting board) & Stainless Steel(clamp) 117×226×194mm Diameter of clamp: Ø67- 127mm 1895g	Hik white Stainless Steel 127×46×250mm Diameter of clamp: Ø67- 127mm 1205g Match up with wall mount(DS- 1293ZJ)	Hik white Aluminum alloy 493×246×88mm 480g	Hik white Steel Ø160 x 1093mm 6200g	Hik white Stainless Steel 126×105×250mm 2280g Match up with wall mount(DS- 1293ZJ)










Product form	Model	Relevant brackets and housings					
		Indoor/Outdoor					
Dome camera 7	DS-2CD2520F DS-2CD2510F DS-2CD2522FWD-I(W)(S) DS-2CD2542FWD-I(W)(S)						
	DS-1272ZJ-120	DS-1272ZJ-120B	DS-1271ZJ-120	DS-1276ZJ-SUS	DS-1282ZJ-DM mini	DS-1280ZJ-DM22	
	Wall mount	Wall mount	Pendant mount	Corner mount	Gang box	Junction box	
	Hik white Aluminum alloy 120×122×173.5mm 430g	Hik white Aluminum alloy with junction box 123×180×223mm 1225g	Hik white Aluminum alloy Φ150×573mm 1900g	Hik white Stainless Steel 126X105X250mm 2280g Match up with wall mount(DS-1272ZJ-120)	Hik white Plastic Φ120 mm	Hik white Aluminum alloy 164.8×137×53.4mm 520g	







Product form	Model	Relevant brackets and housings								
		Indoor/Outdoor(suitable for indoor)								
Dome camera 18	DS-2CD21XF-I(W)(S) DS-2CD2122FWD-I(W)(S) DS-2CD2142FWD-I(W)(S) DS-2CD21X5FWD-I(S) DS-2CD2125FWD-IM									
	DS-1259ZJ	DS-1271ZJ-110	DS-1272ZJ-110	DS-1272ZJ-110B	DS-1276ZJ-SUS	DS-1280ZJ-DM18	DS-1258ZJ	DS-1253ZJ-M	DS-1250ZJ	
	Inclined ceiling mount	Pendant mount	Wall mount	Wall mount	Corner mount	Junction box	Wall mount	Rain shade	Rain shade	
	Hik white ABS Plastic Φ111×39.2mm 200g	Hik white Aluminum alloy Φ150×560mm 1900g	Hik white Aluminum alloy 120×122×169mm 420g	Hik white Aluminum alloy with junction box 123×180×227.8mm 1205g	Hik white Stainless Steel 126X105X250mm 2280g Match up with wall mount(DS-1272ZJ-110)	Hik white Aluminum alloy Φ115.4×43.8mm 450g	Hik white ABS plastic 120×111×161.5mm 200g	Hik white Composite Fibre Φ191.1×76mm 133g Match up with wall mount(DS-1272ZJ-110)	Hik white Composite Fibre 264.7*152*189.6 mm 199g	

Product form	Model	Relevant brackets and housings										
		Indoor/Outdoor										
Dome camera 21	DS-2CD2722FWD-I(Z)(S) DS-2CD2742FWD-I(Z)(S)											
	DS-1271ZJ-135	DS-1273ZJ-135	DS-1273ZJ-135B	DS-1275ZJ-SUS	DS-1276ZJ-SUS	DS-1227ZJ	DS-1280ZJ-DM21	DS-1281ZJ-DM23	DS-1253ZJ-L	DS-1250ZJ	DS-1258ZJ-L	
	Pendant mount	Wall mount	Wall mount with junction box	Vertical pole mount	Corner mount	In-ceiling mount	Junction box	Inclined ceiling mount	Rain shade	Rain shade	Wall mount	
	Hik white Aluminum alloy 150 ×150×565mm 1900g	Hik white Aluminum alloy 136 ×183.5×230mm 704g	Hik white Aluminum alloy with junction box 136×243 ×290mm 1490g	Hik white Stainless Steel 127×46×250mm Diameter of clamp: Φ67-127mm 1205g Match up with wall mount(DS-1273ZJ-135)	Hik white Stainless Steel 126X105X250mm 2280g Match up with wall mount(DS-1273ZJ-135)	Hik white ABS Plastic Φ210×90mm 540g	Hik white Aluminum alloy 162×137×42mm 250g	Hik white Aluminum alloy 136 ×136.3×48mm 245g	Hik white Composite Fibre Φ225.1×98mm 198g Match up with wall mount(DS-1273ZJ-135)	Hik white Composite Fibre 264.7*152 *189.6 mm 199g	Hik white Plastic 136×183× 213mm 260g	

Product form	Model	Relevant brackets and housings			
		Indoor/Outdoor			
	DS-2CD27X5FWD-IZS				
		DS-1471ZJ-155	DS-1473ZJ-155	DS-1475ZJ-SUS	DS-1476ZJ-SUS
		Pendant Mount	Wall Mount	Vertical pole mount	Corner mount
		Hik white Aluminum alloy Ø155×150×565mm	Hik white Aluminum alloy 155×183.5×240mm	Hik white Stainless Steel 127×46×250mm Diameter of clamp: Ø67-127mm 1205g Match up with wall mount(DS-1473ZJ-155)	Hik white Stainless Steel 126X105X250mm 2280g Match up with wall mount(DS-1473ZJ-155)

Product form	Model	Relevant brackets and housings								
		Indoor/Outdoor								
Dome 25	DS-2CD6362F-I(S)(V) DS-2CD6332FWD-I(S)(V) DS-2CD63C2F-I(V)(S)									
		DS-1271ZJ-DM25	DS-1273ZJ-DM25	DS-1280ZJ-DM25	DS-1281ZJ-DM25	DS-1283ZJ	DS-1275ZJ-SUS	DS-1276ZJ-SUS	DS-1274ZJ-DM25	DS-1281ZJ-DM25-B
		Pendant mount	Wall mount	Junction box	Inclined ceiling mount	Three axis adjustment	Vertical pole mount	Corner mount	Corner mount	Pendant mount
		Hik white Alluminum alloy Ø149.5×555mm 1930g	Hik white Aluminum alloy 183.5×164×231.7mm 900g	Hik white Aluminum alloy 178.5×164×41mm 340g	Hik white Aluminum alloy 157.1×164×45.5mm 300g	Hik white Aluminum alloy 167.5×167.5 ×48.7mm	Hik white Stainless Steel 127×46×250mm Diameter of clamp: Ø67-127mm 1205g Match up with wall mount(DS-1283ZJ)	Hik white Stainless Steel 126X105X250mm 2280g Match up with wall mount(DS- 1273ZJ-130, DS- 1283ZJ)	Hik white Aluminum alloy 209×195×114mm	Hik white Aluminum alloy 161×156×165.5mm








Product form	Model	Relevant brackets and housings							
		Indoor/Outdoor							
Dome 26	DS-2CD45XXF(WD)-I(Z)(H)(S)								
		DS-1273ZJ-DM26	DS-1273ZJ-DM26-B	DS-1271ZJ-DM26	GP-FE1	DS-1250ZJ	DS-1275ZJ-SUS	DS-1276ZJ-SUS	DS-1227ZJ-DM26
		Wall mount	Wall mount with junction box	Pendant mount	Gang box for junction box (special for US market)	Rain shade	Vertical pole mount	Corner mount	In-ceiling Mount
		Hik white Alluminum alloy 255×225.7×185mm 1550g	Hik white Alluminum alloy 314.5×260×184.9mm 2050g	Hik white Alluminum alloy 676×185×185mm 2150g	Hik white Steel Ø195mm	Hik white Composite Fibre 264.7*152*189.6 mm 199g	Hik white Stainless Steel 127×46×250mm Diameter of clamp: Ø67-127mm 1205g Match up with wall mount(DS-1273ZJ- DM26	Hik white Stainless Steel 126X105X250mm 2280g Match up with wall mount(DS-1273ZJ-130)	Hik white Aluminum alloy Ø225×98mm

Product form	Model	Relevant brackets and housings				
		Indoor/Outdoor				
Dome 32	DS-2CD4D16/26FWD-IZ(S)					
		DS-1273ZJ-DM32	DS-1271ZJ-DM32	DS-1275ZJ-SUS	DS-1276ZJ-SUS	DS-1227ZJ-DM32
		Wall mount	Pendant mount	Vertical pole mount	Corner mount	In-ceiling Mount
		Hikvision white Aluminum alloy 183.5×142×232mm	Hikvision white Aluminum alloy Ø150×565mm	Hik white Stainless Steel 127×46×250mm Diameter of clamp: Ø67-127mm 1205g Match up with wall mount(DS-1273ZJ-DM32)	Hik white Stainless Steel 126X105X250mm 2280g Match up with wall mount(DS-1273ZJ-DM32)	Hik white Aluminum alloy Ø225×98mm




Product form	Model	Relevant brackets and housings			
		Indoor			
Dome 27	DS-2CD29XF-II(S) DS-2CD2935FWD-II(S) DS-2CD2955FWD-IS				
		DS-1294ZJ	DS-1281ZJ-DM27	DS-1297ZJ	DS-1299ZJ
		Wall mount	Inclined ceiling mount	Pendant mount (extendable)	Pendant Mount
		Hik white Toughened Plastic 223.9×80×125.8mm 450g	Hik white Plastic 111.8×40.5×108.3mm 45.8g	Hik white Aluminum alloy (Hight 1000-2000mm)	Hik white Aluminum Alloy 77×77×198mm 165g

Product form	Model	Relevant brackets and housings						
		Indoor/Outdoor						
Mini dome camera 8	DS-2CD2322WD-I DS-2CD2342WD-I							
		DS-1273ZJ-130-TRL	DS-1275ZJ-SUS	DS-1276ZJ-SUS	DS-1280ZJ-DM8	DS-1281ZJ-M	DS-1280ZJ-M	DS-1271ZJ-130-TRL
		Wall mount	Vertical pole mount	Corner mount	Junction box	Inclined ceiling mount	Junction box	Pendant mount
		Hik white Aluminum alloy 131×183.5×228.5mm 890g	Hik white Stainless Steel 127×46× 250mm Diameter of clamp: Ø67-127mm 1205g Match up with wall mount(DS-1273ZJ-130- TRL)	Hik white Stainless Steel 126X105X250mm 2280g Match up with wall mount(DS-1273ZJ-130- TRL)	Hik white Aluminum alloy Ø126.7mm×35mm	Hik white Aluminum alloy 157×165.7×61.8mm 586g	Hik white Aluminum alloy 157×184.8×53.4mm 621g	Hikvision white Aluminum alloy Ø150×567mm

Product form	Model	Relevant brackets and housings					
		Indoor/Outdoor					
Mini dome camera 18	DS-2CD23X5FWD-I						
	DS-1273ZJ-130-TRL	DS-1275ZJ-SUS	DS-1276ZJ-SUS	DS-1280ZJ-DM8	DS-1281ZJ-M	DS-1271ZJ-130-TRL	
	Wall mount	Vertical pole mount	Corner mount	Junction box	Inclined ceiling mount	Pendant mount	
	Hik white Aluminum alloy 131×183.5×228.5mm 890g	Hik white Stainless Steel 127×46×250mm Diameter of clamp: Ø67-127mm 1205g Match up with wall mount(DS-1273ZJ-130-TRL)	Hik white Stainless Steel 126X105X250mm 2280g Match up with wall mount(DS-1273ZJ-130-TRL)	Hik white Aluminum alloy Ø126.7mm×35mm	Hik white Aluminum alloy 157×165.7×61.8mm 586g	Hikvision white Aluminum alloy Ø150×567mm	

Product form	Model	Relevant brackets and housings					
		Indoor/Outdoor					
	DS-2CD2HX5FWD-IZS						
	DS-1473ZJ-135	DS-1471ZJ-135	DS-1281ZJ-DM23	DS-1475ZJ-SUS	DS-1476ZJ-SUS	DS-1473ZJ-135B	
	Wall mount	Pendant mount	Inclined ceiling mount	Vertical pole mount	Corner mount	Wall mount with junction box	
	Hik white Aluminum alloy 136×183.5×230mm 704g	Hik white Aluminum alloy 150×150×565mm 1900g	Hik white Aluminum alloy 136.3×136.3×48mm 245g	Hik white Stainless Steel 127×46×250mm Diameter of clamp: Ø67-127mm 1205g Match up with wall mount(DS-1473ZJ-135)	Hik white Stainless Steel 126X105X250mm 2280g Match up with wall mount(DS-1473ZJ-135)	Hik white Aluminum alloy with junction box 136×243×290mm 1490g	

Product form	Model	Relevant brackets and housings	
		Indoor	
PT 5	DS-2CD2F22FWD-I(W)(S) DS-2CD2F42FWD-I(W)(S)		
	DS-1294ZJ	DS-1280ZJ-PT3	
	Wall mount	Junction box	
	Hik white Toughened Plastic 223.9×80×125.8mm 450g	Hik white Plastic Ø120×40mm 104g	

Product form	Model	Relevant brackets and housings		
Dual-lens	iDS-2CD6810F/C	indoor		
				
		DS-1227ZJ-P1 In-ceiling mount	DS-2102ZJ Wall mount	DS-1299ZJ Pendant Mount
		Hik white Ø253.4×8.5mm	Hik white 194×110×50mm	Hik white Aluminum Alloy 77×77×198mm 165g



Product form	Model	Relevant brackets and housings				
Dome 30	DS-2CD6986F-(H)	Outdoor				
						
		DS-1271ZJ-DM30-E Pendant mount	DS-1605ZJ-DM30 Wall mount	DS-1280ZJ-BQ30 Junction Box	DS-1275ZJ-SUS Vertical pole mount	DS-1276ZJ-SUS Corner mount
		Hik white Aluminum alloy Ø205.6×359mm 1920g	Hik white Aluminum alloy 205.6×183.5×333.6mm 1620g	Hik white Aluminum alloy Ø195×38.5mm	Hik white Stainless Steel 127×46×250mm Diameter of clamp: Ø67-127mm 1205g Match up with wall mount(DS-1605ZJ-DM30)	Hik white Stainless Steel 126×105×250mm 2280g Match up with wall mount(DS-1605ZJ-DM30)


Product form	Model	Relevant brackets and housings				
PanoVu	DS-2CD6A64F-IHS/NFC	Outdoor				
						
		DS-1602ZJ-P Wall mount	DS-1663ZJ-P Pendant mount	DS-1673ZJ-P Horizontal pole mount	DS-1602ZJ-pole-P Vertical pole mount	DS-1661ZJ-P Pendant mount
		Grey Aluminum alloy 97×182×305mm	Grey Aluminum alloy Ø116.5×57mm	Grey Steel Diameter of the clamp Ø67-127mm Match up with DS-1661ZJ-P, DS-1663ZJ-P	Grey Aluminum alloy 117×194×310mm	Grey Aluminum alloy Ø116.5×200mm

BRACKET

PTZ AND ZOOM CAMERA



Product form	Model	Relevant brackets and housings				
3" Mini PTZ	DS-2DE3204W-DE	Indoor				
						
		DS-1227ZJ-PT6 In-ceiling mount	DS-1273ZJ-PT6 Wall mount	DS-1280ZJ-PT6 Junction Box	DS-1275ZJ-SUS Vertical pole mount	DS-1276ZJ-SUS Corner mount
		Hik white Steel+Platic Φ210×79.3mm	Hik white 183.5×140×232mm	Hik white Aluminum alloy 136.5×42×162.5mm 280g	Hik white Stainless Steel 127×46×250mm Diameter of clamp: Φ67-127mm 1205g Match up with DS_1273ZJ-PT6	Hik white Stainless Steel 126×105×250mm 2280g Match up with DS_1273ZJ-PT6

Product form	Model	Relevant brackets and housings					
IR PTZ 9	DS-2DE4220IW-DE	Outdoor					
							
		DS-1661ZJ Pendant mount	DS-1662ZJ Pendant mount	DS-1663ZJ Ceiling mount	DS-1618ZJ Wall mount(short arm)	DS-1660ZJ Parapet wall mount	DS-1604ZJ Wall mount
		Hik white Aluminum alloy Φ116.5×200mm 600g	Hik white Aluminum alloy Φ116.5×500mm 960g	Hik white Aluminum alloy Φ116.5×57mm 380g	Hik white Aluminum alloy 110×145×189mm 550g	Hik white Aluminum alloy 180×950×800mm 2900g	Hik white Aluminum alloy 255×171×355.5mm 2150g
							
DS-1604ZJ-pole	DS-1604ZJ-corner	DS-1604ZJ-box	DS-1604ZJ-BOX-POLE	DS-1604ZJ-BOX-CORNER	DS-1619ZJ	DS-1671ZJ-SDM9	
Vertical pole mount	Corner mount	Wall mount with junction box	Vertical Pole Mount with junction box	Wall Mount with junction box	Gooseneck mount	In-ceiling mount	
Hik white Aluminum alloy 170.7×261.8×355.5mm	Hik white Aluminum alloy 206.8×261.8×465mm	Hik white Aluminum alloy 281.2×170.7×395.5mm	Hik white Aluminum alloy & steel 222×139.3×422mm	Hik white Aluminum alloy & steel 255.5×314×542.5mm	Hik white Aluminum alloy 455.2×130.4×841.5mm	Hik Black Steel + plastic Φ232.9×142.6mm	

Product form	Model	Relevant brackets and housings					
PT11	DS-2DE4A220IW-DE	Outdoor(only available for outdoor PTZ model)					
							
		DS-1605ZJ Wall Mount Bracket	DS-1671ZJ-SD11 In-ceiling Mount Bracket	DS-1280ZJ-SD11 Junction Box	DS-1691ZJ-L Pendant mount	DS-1691ZJ-M Pendant mount	DS-1691ZJ Pendant mount
		Hik white Aluminum alloy 183.5×120×228.6mm 1120g	Hik white Aluminum alloy ∅233×85mm	Hik white Aluminum alloy ∅158×40mm	Hik white Steel 124×84×1000mm 2175g	Hik white Steel 124×84×500mm 1175g	Hik white Aluminum alloy 84×124×335mm 980g

Product form	Model	Product form	Model	Product form	Model	Product form	Model	Product form	Model		
5 inch with IR	DS-2DE5XXXI DS-2AE5XXXTI DS-2AE5XXXTI-A(B)	5 inch without IR	DS-2AE5XXX DS-2DE5XXX	IR PTZ Dome Camera4	DS-2AE7XXX DS-2DE7XXX	6 inch	DS-2DF6XXX	8 inch	DS-2DF8XXXI DS-2DF82XXIW-AEL DS-2DF8836ISV-AEL DS-2DF82XXI-AEL(B)		
											
Relevant brackets and housings											
Outdoor(only available for outdoor PTZ model)											
											
DS-1661ZJ	DS-1662ZJ	DS-1663ZJ	DS-1660ZJ	DS-1604ZJ	DS-1604ZJ-pole	DS-1604ZJ-corner	DS-1604ZJ-box	DS-1604ZJ-BOX-POLE	DS-1604ZJ-BOX-CORNER	DS-1619ZJ	DS-1667ZJ
Pendant mount	Pendant mount	Ceiling mount	Parapet wall mount	Wall mount	Vertical pole mount	Corner mount	Wall mount with junction box	Vertical Pole Mount with junction box	Wall Mount with junction box	Gooseneck mount	Extendable pole for Pendant mount
Hik white Aluminum alloy ∅116.5×200mm 600g	Hik white Aluminum alloy ∅116.5×500mm 960g	Hik white Aluminum alloy ∅116.5×57mm 380g	Hik white Aluminum alloy 180×950×800mm 2900g	Hik white Aluminum alloy 255×171×355.5mm 2150g	Hik white Aluminum alloy 170.7×261.8 ×355.5mm	Hik white Aluminum alloy 206.8×261.8 ×465mm	Hik white Aluminum alloy 281.2×170.7 ×395.5mm	Hik white Aluminum alloy & steel 222×139.3×422mm	Hik white Aluminum alloy & steel 255.5×314 ×542.5mm	Hik white Aluminum alloy 455.2×130 .4×841.5mm	Hik white Galvanized steel pipe 1500-2500mm

Product form	Model	Relevant brackets and housings							
PanoVu	DS-2DP0818Z-D DS-2DP1636Z-D DS-2DP1636-D	Outdoor							
									
		DS-1603ZJ	DS-2663ZJ	DS-1668ZJ	DS-1668ZJ(20)	DS-1673ZJ	DS-1684ZJ	DS-1678ZJ	DS-1619ZJ-P
		Wall mount	3-axis Mount	Pendant mount	Pendant mount	Horizontal pole mount	Vertical Pole mount	Junction Box	Gooseneck mount
		Hik white Aluminum alloy 98×182×362mm	Hik white Aluminum alloy 275.8×269×140.1mm 2600g Note: Only for DS-2DP1636-D	Hik white Steel Ø115×58mm 620g	Hik white Steel Ø115×200mm 1150g	Hik white Steel(mounting board) & Stainless Steel(clamp) Diameter of clamp: Ø67-127mm Match up with pendant mount	Hik white Steel(mounting board) & Stainless Steel(clamp) Diameter of clamp: Ø67-127mm Match up with Wall mount	Hik white Aluminum alloy 286×424×119.5mm	Hik white Steel 455×130×815.5mm

Product form	Model	Relevant brackets and housings
PanoVu PT	iDS-2PT9122IX-D/S Wall mount bracket included in the package	Outdoor
		
		DS-2664ZJ
		Pendant mount
		Grey Aluminum alloy Ø203.5×217.4mm

2019 Q1 EU CCTV CATALOGUE

Professional series

Hikvision Headquarters

No.555 Qianmo Road
310052 Hangzhou
China
T +86 571 88075998
sales@hikvision.com

Hikvision Europe

Dirk Storklaan 3
2132 PX Hoofddorp
The Netherlands
T +31 23 5542770
info.eu@hikvision.com

Hikvision France

6 rue Paul Cézanne,
93360 Neuilly-Plaisance
France
T +33 (0)1 85330450
info.fr@hikvision.com

Hikvision Italy

Via Abruzzo 12
Z.I. San Giacomo
31029 Vittorio Veneto TV
Italy
T +39 0438 6902
info.it@hikvision.com

Hikvision Poland

The Park, Office Building A
Krakowiaków 50
02-255 Warsaw, Poland
T +48 22 4600150
info.pl@hikvision.com

Hikvision Spain

Calle de Almazara 9
28760 Tres Cantos
Madrid, Spain
T +34 91 7371655
info.es@hikvision.com

Hikvision Czech

BETA Building, Vyskocilova
1481/4, Prague 4
Czech Republic
T +42 29 6182640
info.cz@hikvision.com

Hikvision Germany

Flughafenstr. 21
63263 Neu-Isenburg
Zeppelinheim, Germany
T +49 69 401507290
sales.dach@hikvision.com