

Hikvision NVR/Thermal Camera+ADMA Alarm Module Integration Solution



Requirements

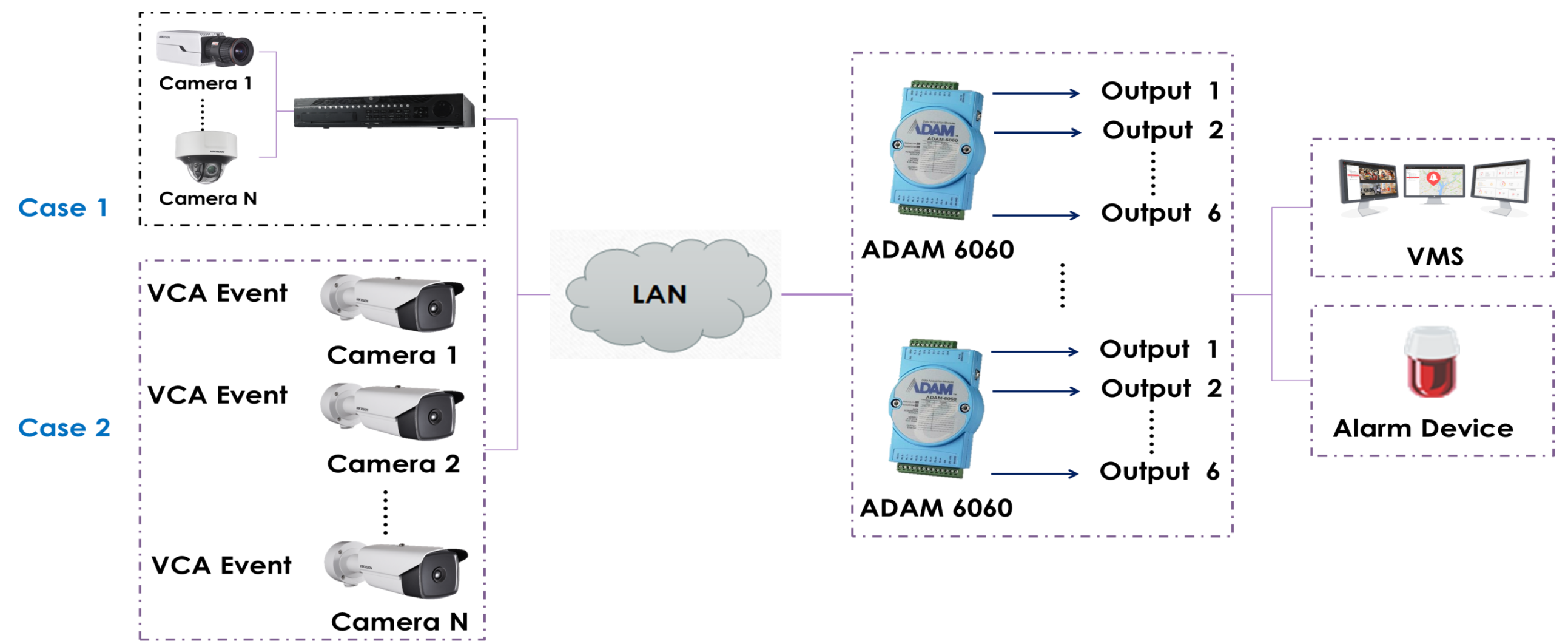
- 01 Alarm outputs expansion**

Customers need more alarm output interfaces to connect alarm devices in some monitoring scenarios.
- 02 Alarm triggering for different VCA events**

Different VCA events (like intrusion detection and line crossing detection) need to trigger different connected alarm devices or notify surveillance center.
- 03 Easy integration and configuration**

Easy integration with third-party device and convenient configuration.

Solution Architecture



Case 1: Hikvision I-series NVR + ADAM 6060 Alarm Modules

- A maximum of 5 ADAM-6060 devices and a maximum of 34 output contacts (total between recorder contacts plus ADAM contact) are supported.
- Easy expansion by adding ADAM modules to NVR through local GUI configuration.

Case 2: Hikvision Thermal Camera + ADAM 6060 Alarm Modules

- When different rules of VCA event are triggered, every rule can link different alarm output, e.g., rule 1 links alarm output 1, rule 2 links alarm output 2...
- The same ADAM alarm module can be added into multiple thermal cameras to link different alarm outputs.

Introduction to Advantech



Founded in 1983, Advantech is an international leader in the design and manufacture of data capture I/O modules, providing complete independent data capture modules for a wide range of industrial-scale applications.

Advantech's Ethernet I/O Modules, ADAM-6000 series, accomplishes this integration easily through the latest internet technology, so that it can remotely monitor the device status more flexibly.

Product Showcase



DS-9600/7700/7600NI-I series NVR

- 16-ch @ 1080p
- Max. 12 MP camera access
- H.265/H.265+
- Dual-stream recording
- Up to eight 10 TB HDDs connectable



ADAM-6060 Alarm Module

- 6-ch DI, 6-ch RL, Ethernet-based smart I/O
- Group configuration capability for multiple module setup
- Intelligent control ability by Peer-to-Peer and GCL function
- Active I/O message by data stream or event trigger function
- Multiple protocol support: Modbus/TCP, TCP/IP, UDP, HTTP, DHCP, SNMP, MQTT



DS-2TD2136-XX/V1 and DS-2TD2166-XX/V1 Thermal Network Bullet Camera

- Resolution: 38×4288/640×512, 17um;
- Focal length: 7mm/10mm/15mm/25mm/35mm;
- VCA distance (human): 70m/100m/150m/250m/350m;
- Equipped with build-in GPU